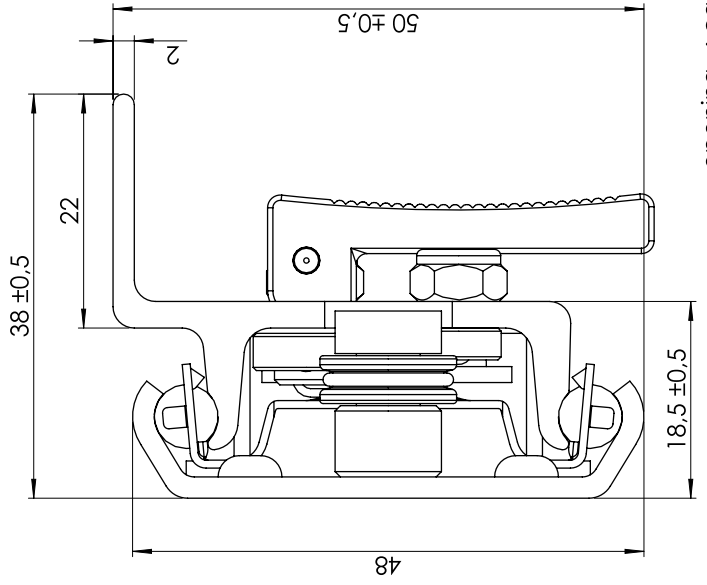
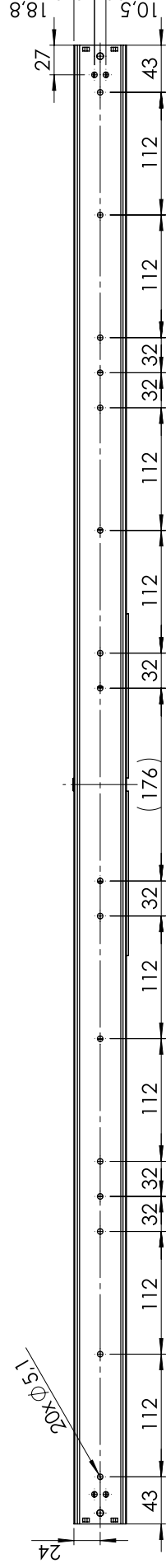
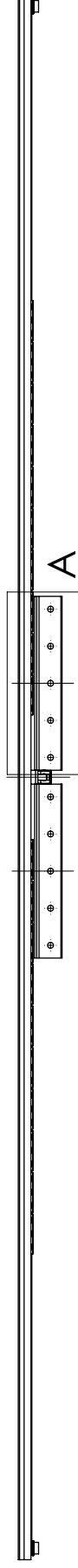
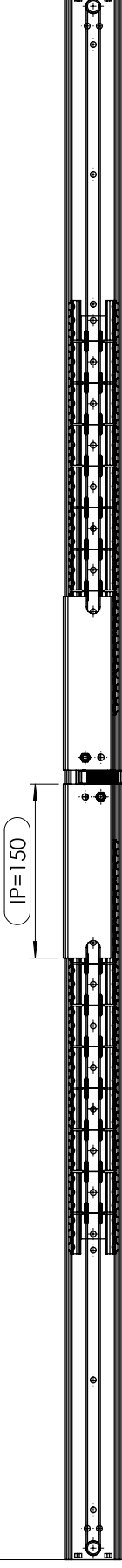
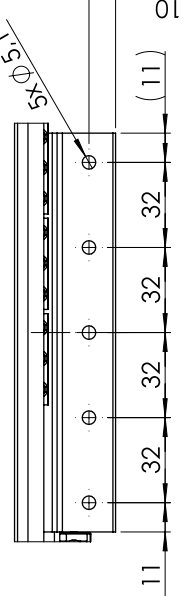


AP=1350

IP=150



DETAIL A 1 : 2



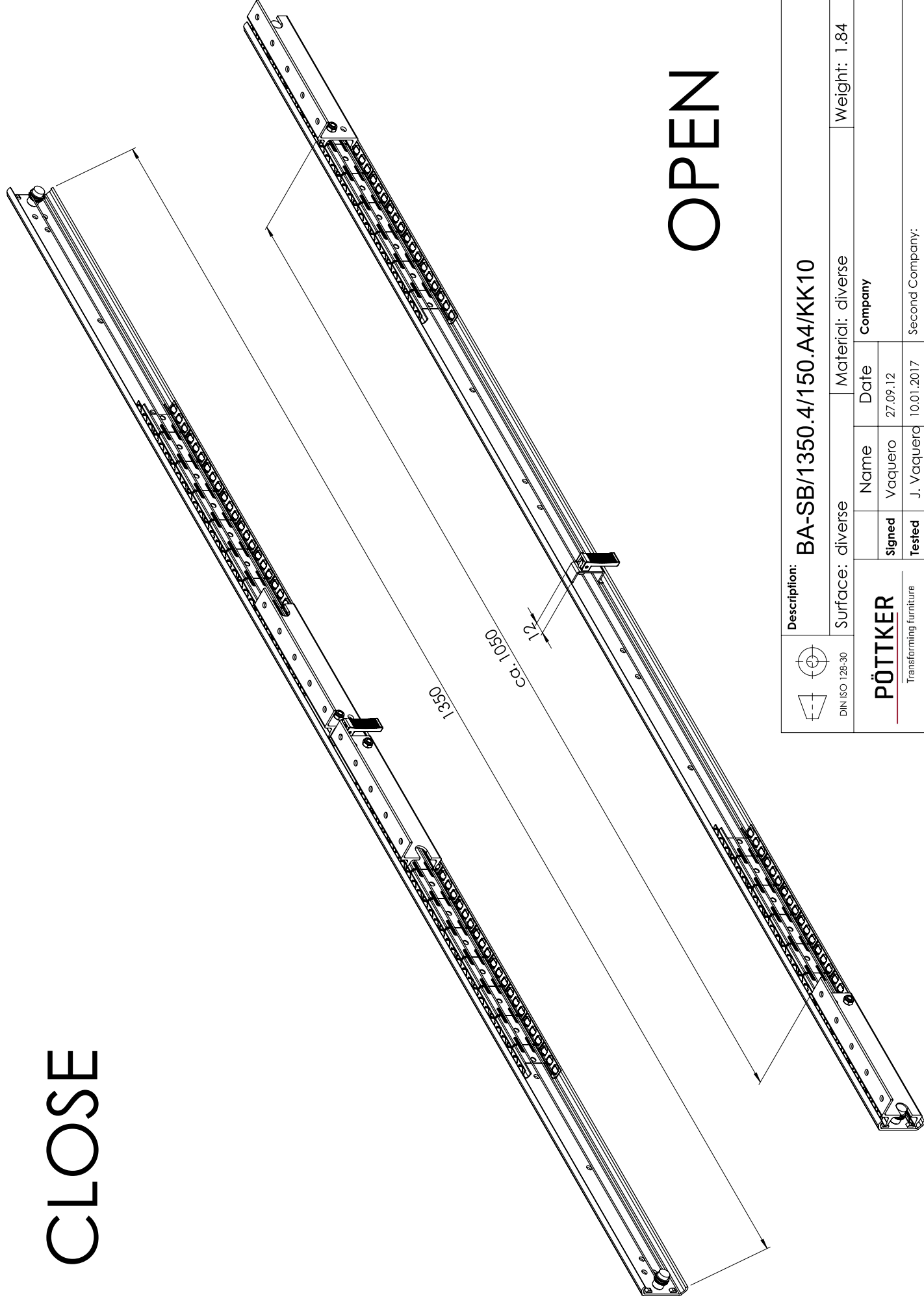
DETAIL B 2 : 1



opening : ca. 1038 mm

| Index  | Change            | Date                     | Name            |
|--|-------------------|--------------------------|-----------------|
| Description: <b>BA-SB/1350.4/150.A4/KK10</b> |                   |                          |                 |
| DIN ISO 128-30                               | Surface: diverse  | Material: diverse        | Weight: 1.84 kg |
|  | signed<br>Vaquero | Date<br>27.09.12         | Company         |
| PÖTTKER<br>Transforming furniture            |                   | Tested<br>J. Vaquera     | Second Company: |
| General tolerance: DIN ISO 2768 - m          |                   | Item No: <b>47135201</b> | Scale: 1:4      |
|  |                   | Page: 1/3                | <b>A3</b>       |

# CLOSE



# OPEN

|  |                      |  |                          |                 |           |
|--|----------------------|--|--------------------------|-----------------|-----------|
|  |                      | <b>Description:</b> BA-SB/1350.4/150.A4/KK10 |                          | Weight: 1.84 kg |           |
| Surface: diverse                         |                      | Material: diverse                            |                          |                 |           |
| <b>PÖTTKER</b><br>Transforming furniture | signed<br>Vaquero    | Name<br>Vaquero                              | Date<br>27.09.12         |                 |           |
|  | Tested<br>J. Vaquera | Name<br>J. Vaquera                           | Date<br>10.01.2017       | Second Company: |           |
| General tolerance: DIN ISO 2768 - m      |                      |  | Item No: <b>47135201</b> | Scale: 1:3      | Page: 2/3 |
|  |                      |  |                          |                 | <b>A3</b> |