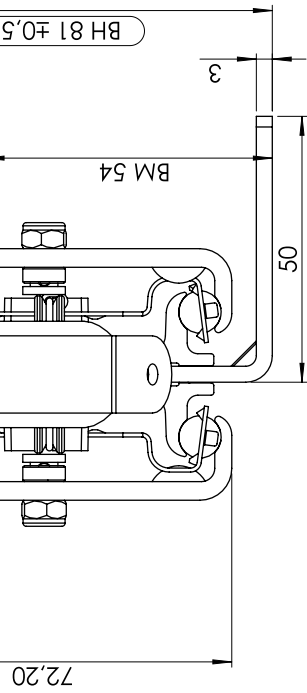


980

Increased pockets with  $\varnothing 5,10$  holes

Comfort Brake: 1050mm (15303)  
 Komfortbremse: 1050mm (15303)

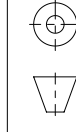
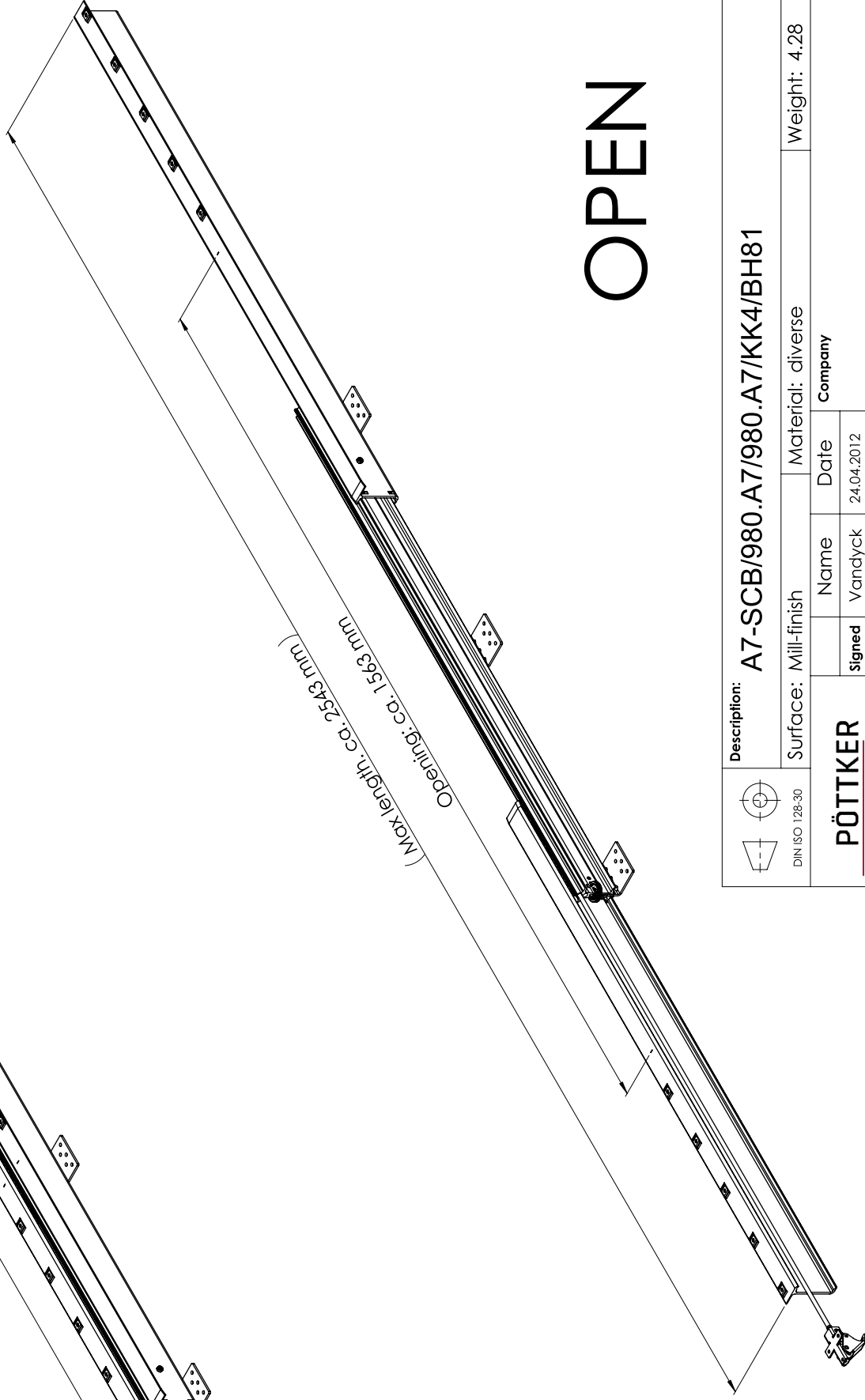
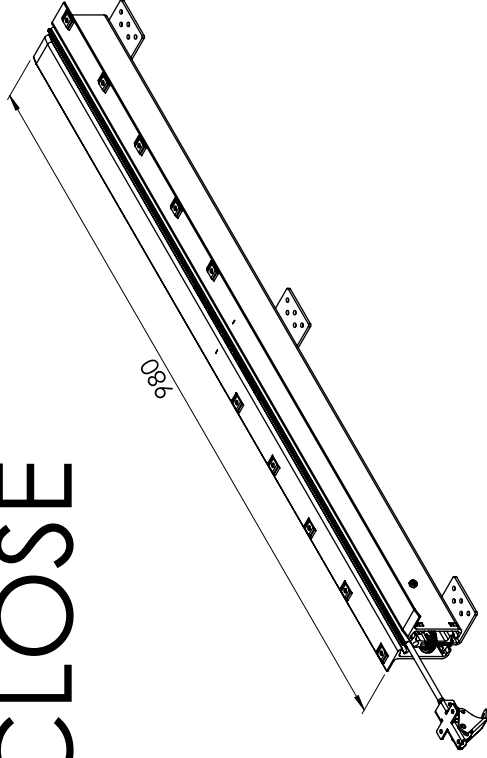


opening : ca. 1563 mm

Index	Change	Date	Name
	Description: <b>A7-SCB/980.A7/980.A7/KK4/BH81</b>		
DIN ISO 128-30	Surface: Mill-finish	Material: diverse	Weight: 4.28 kg
<b>PÖTTKER</b> Transforming furniture	signed	Name	Date
	Tested	Vandyck	24.04.2012
General tolerance: DIN ISO 2768 - m		Second Company:	
Item No: <b>77098706</b>		Scale: 1:4	Page: 1/3
			<b>A3</b>



# CLOSE



DIN ISO 128-30

Description:

**A7-SCB/980.A7/980.A7/KK4/BH81**

Surface: Mill-finish      Material: diverse

Weight: 4.28 kg

<b>PÖTTKER</b>		Name	Date
Transforming furniture		Vandyck	24.04.2012
		Tested	P. Vandyck 05.03.2019

Company

Second Company:

Item No: **77098706**

Scale 1:6

Page 2/3

**A3**