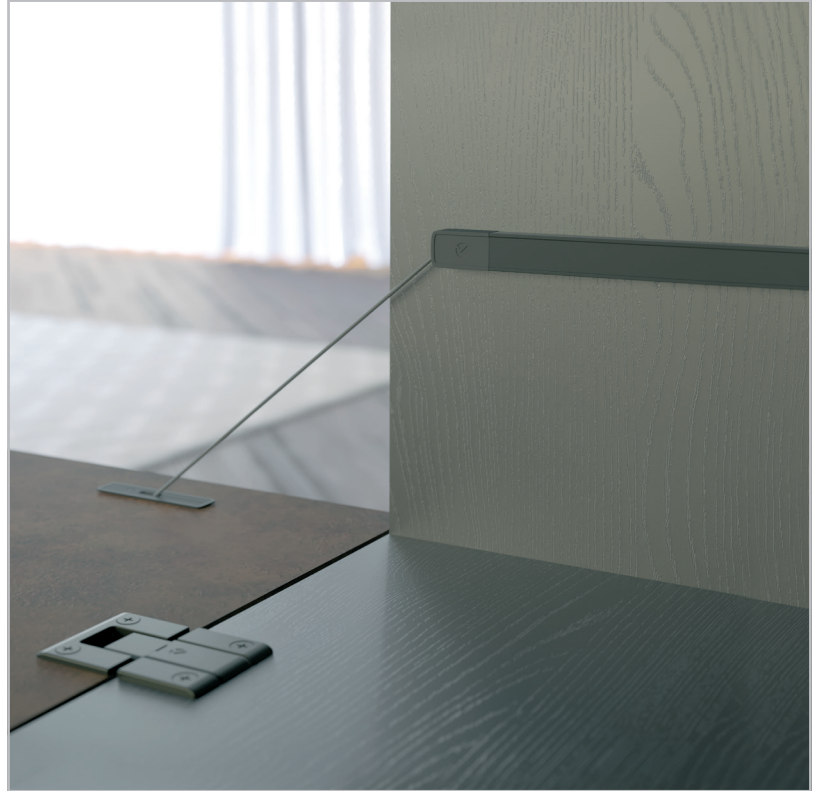




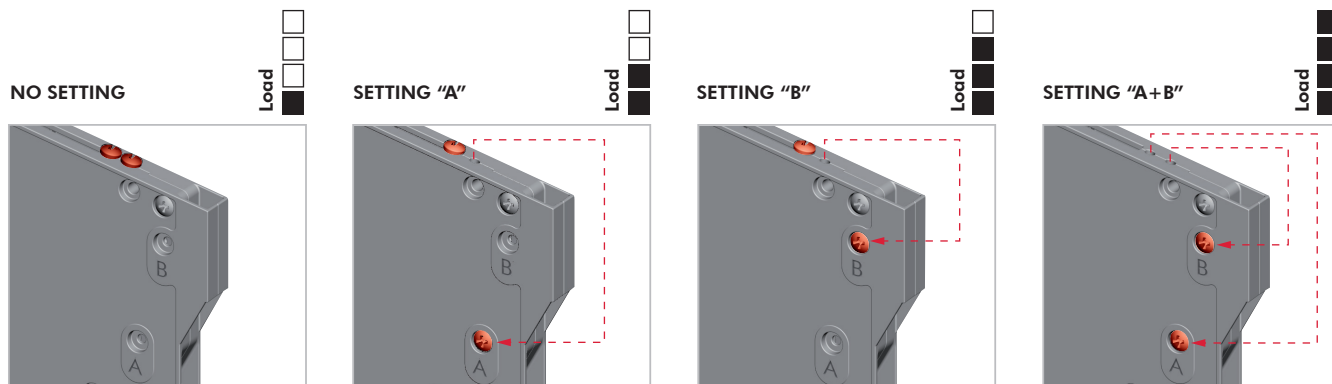
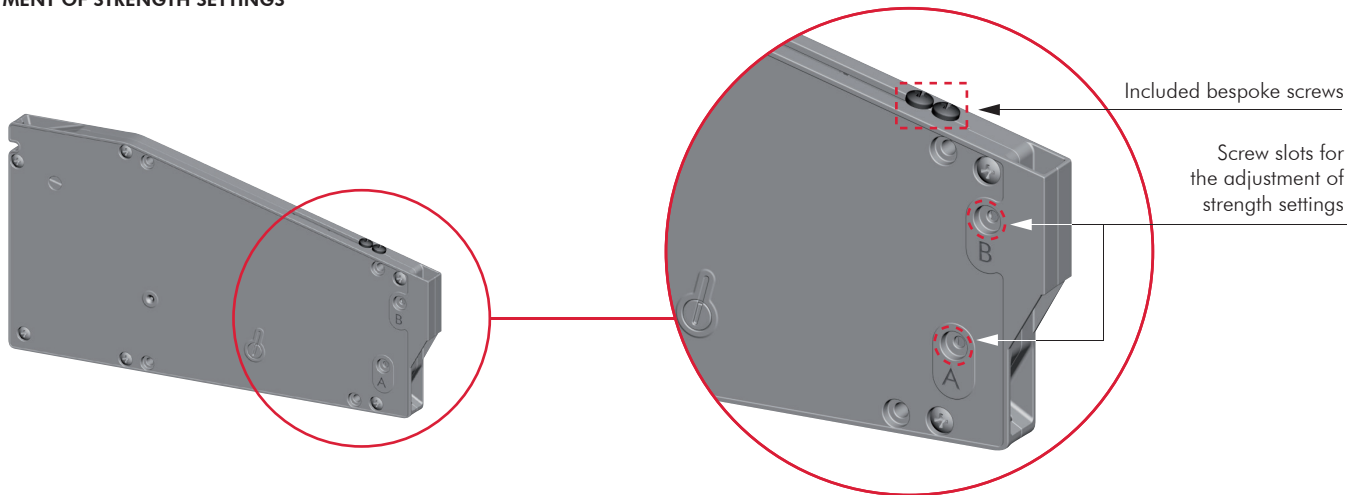
KIARO



PAT. PENDING

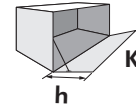


ADJUSTMENT OF STRENGTH SETTINGS

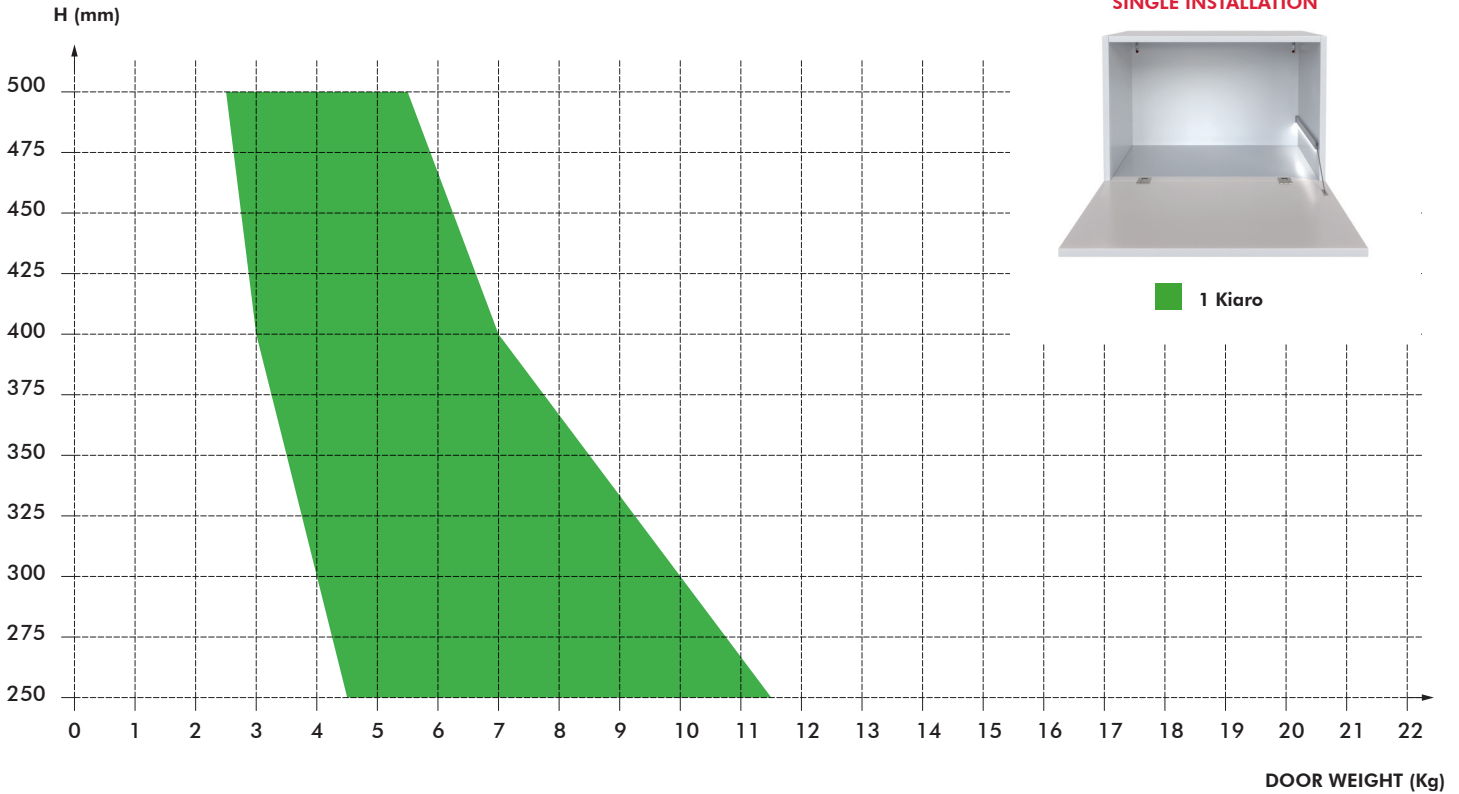




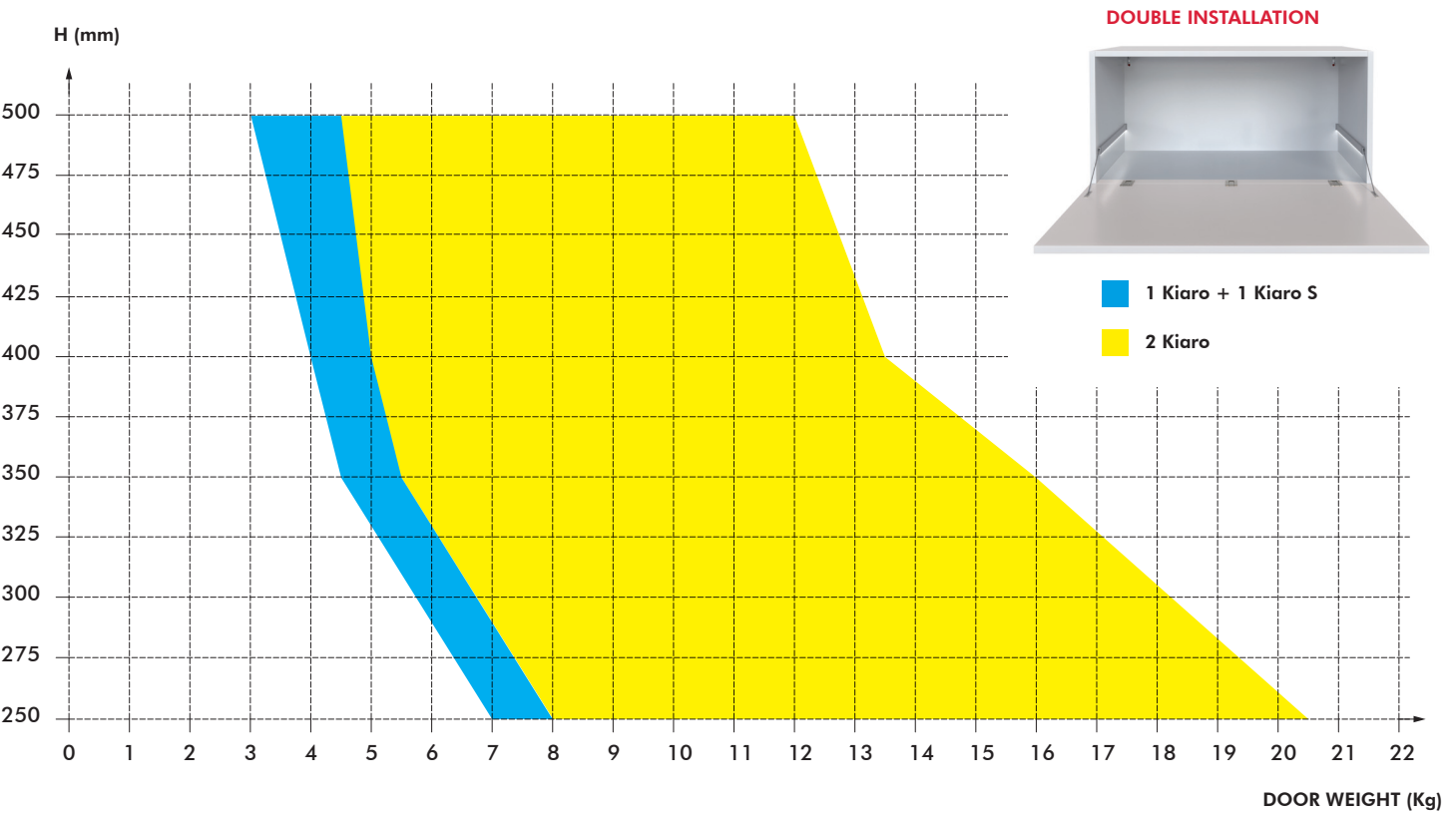
SOFT OPENING



Kg = Door weight including the possible handle.



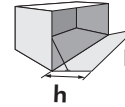
8



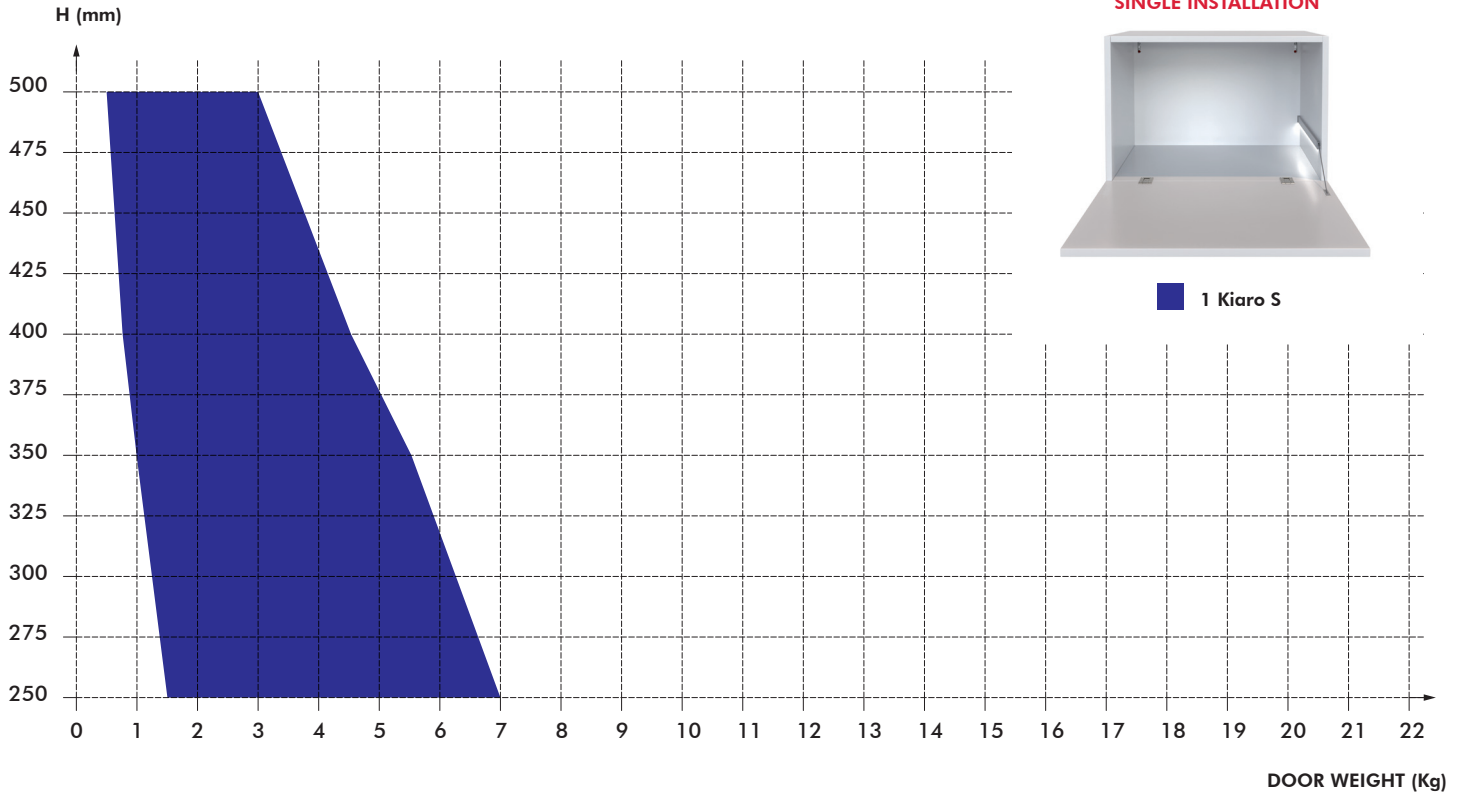
In case the door weight/dimensions are bigger or smaller than those reported on the charts, our technical department is at your disposal to test further cases.



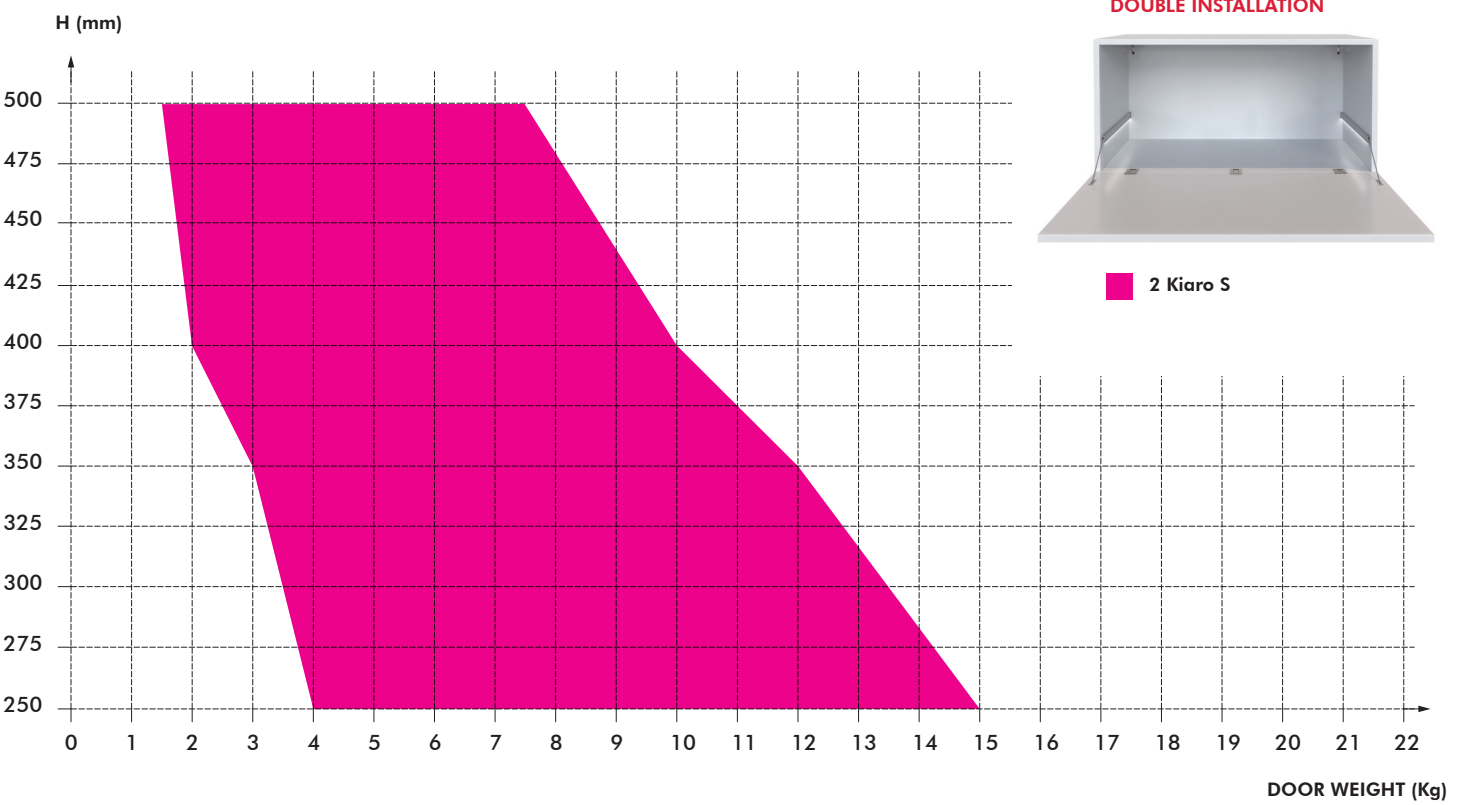
FRICITION OPENING



Kg = Door weight including the possible handle.



1 Kiaro S



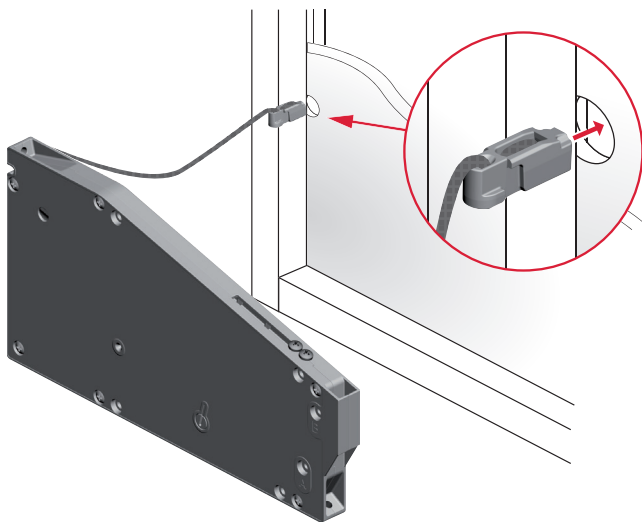
2 Kiaro S

In case the door weight/dimensions are bigger or smaller than those reported on the charts, our technical department is at your disposal to test further cases.

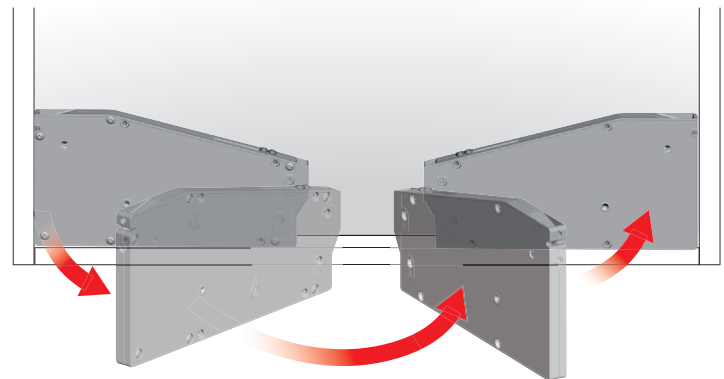


OPENING SYSTEMS FOR LIFT UP AND DROP DOWN DOORS

MECHANISM INSTALLATION

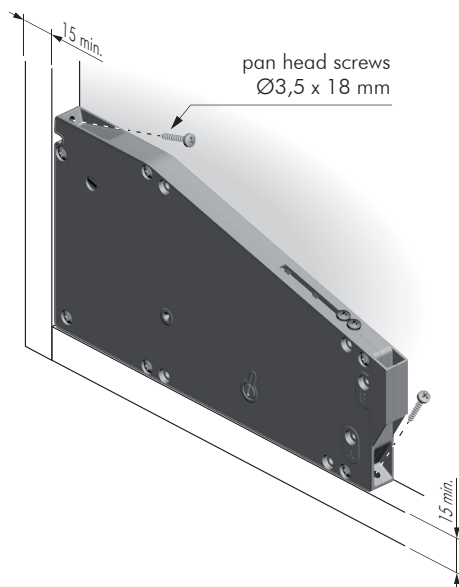


UNHANDED MECHANISM

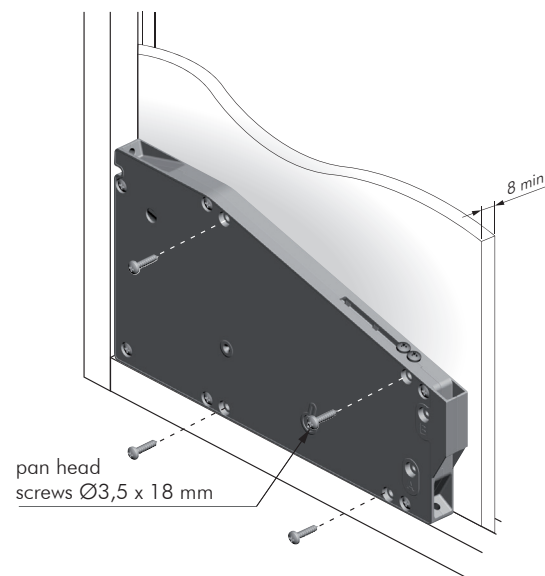


MECHANISM FIXING

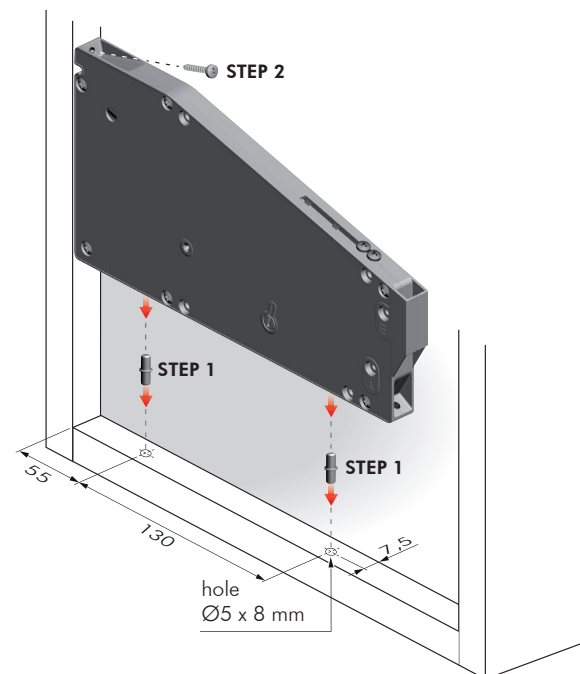
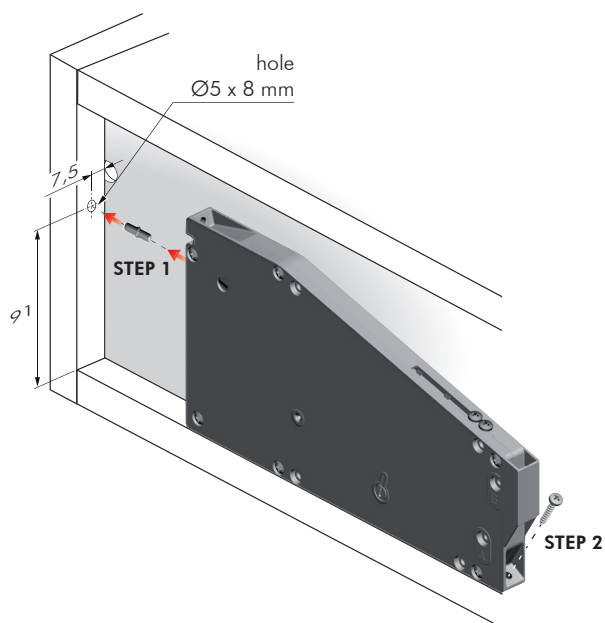
On the bottom and on the side panel with screws



On the back panel with screws

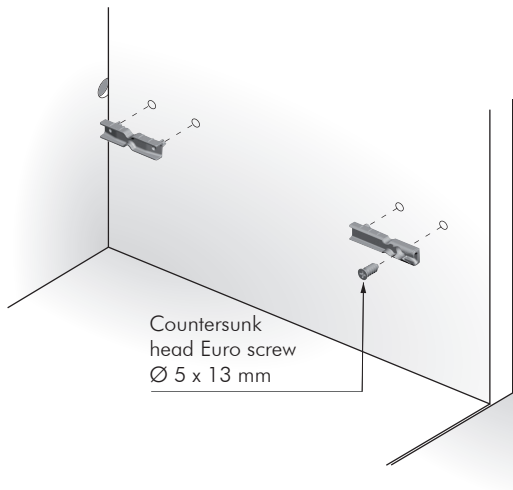


On the bottom and on the side panel with pin and screws

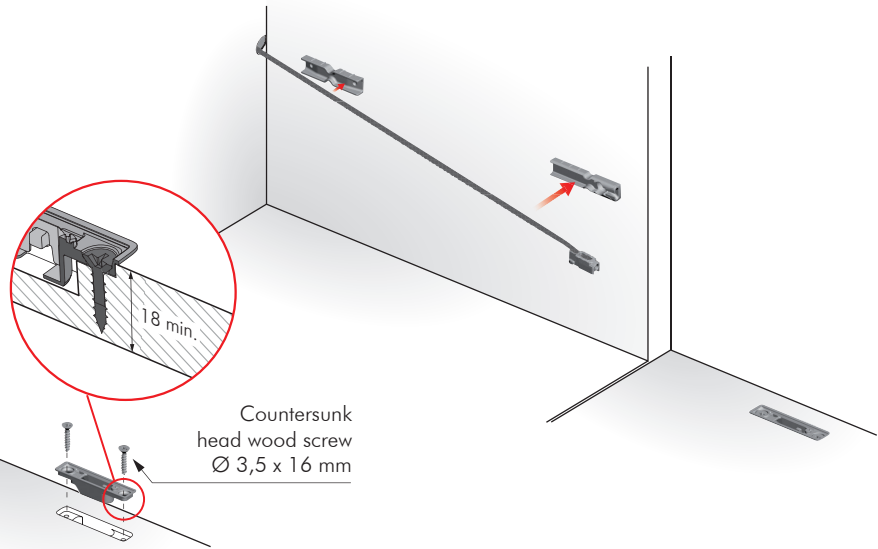




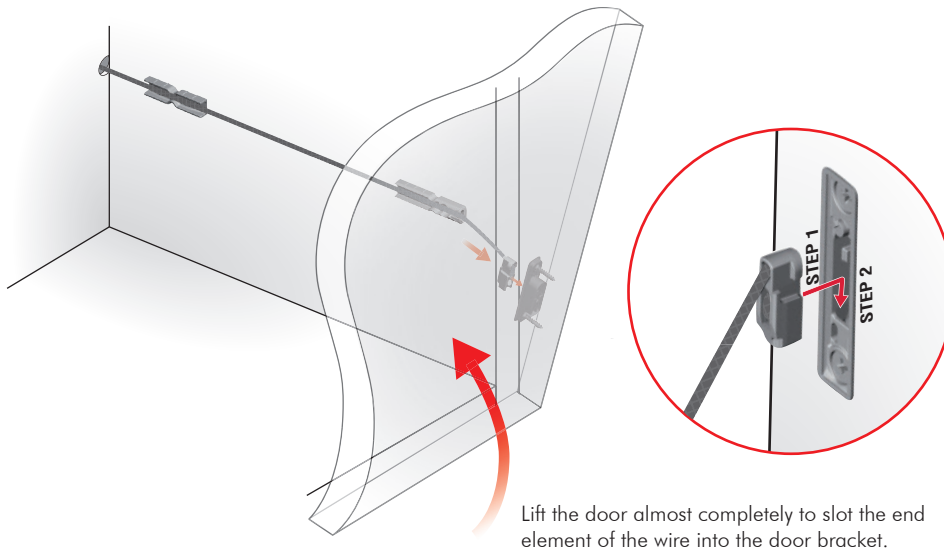
BRACKETS INSTALLATION



WIRE INSTALLATION



WIRE INSERTION ONTO THE DOOR BRACKET



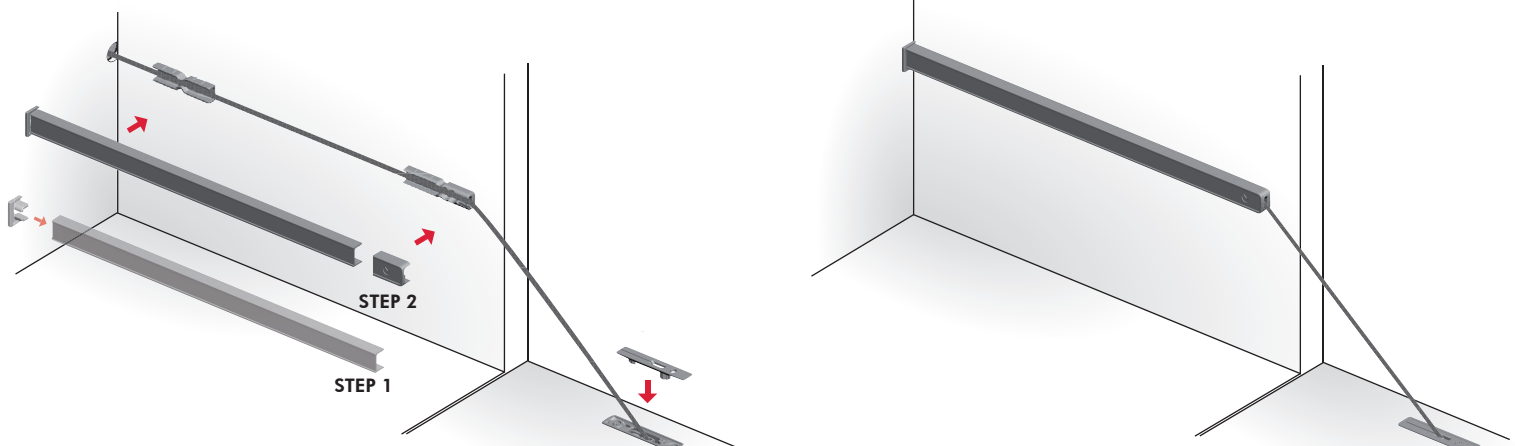
STEP 1



STEP 2

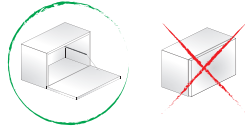
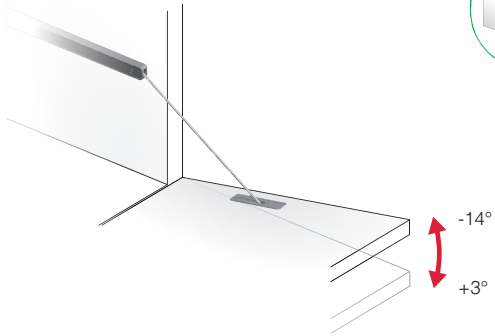


COVER CAP AND ALUMINIUM LATERAL PROFILE INSERTION



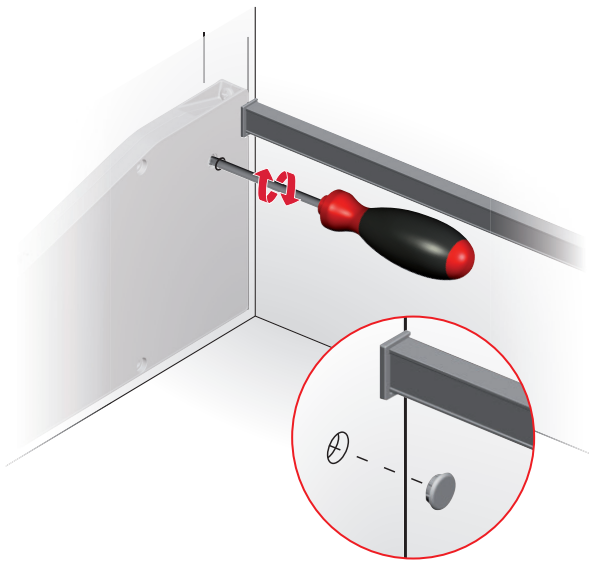
Place the cover cap on the door bracket before lifting the door.

DOOR OPENING ANGLE ADJUSTMENT

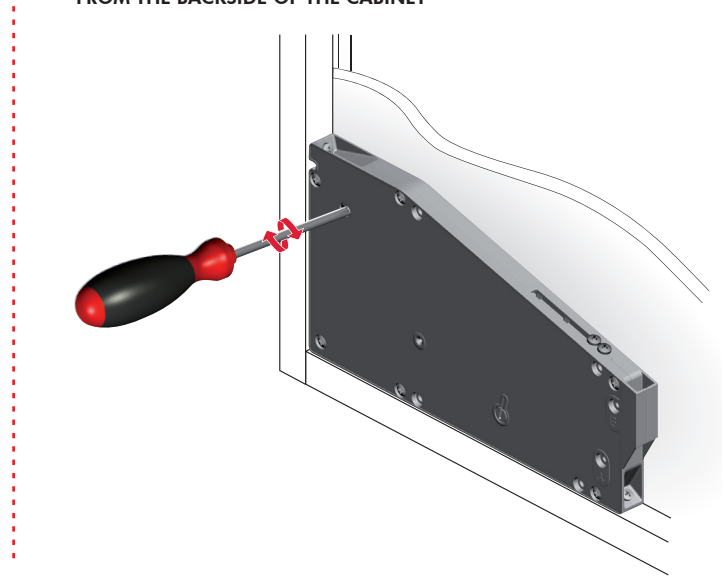


VERY IMPORTANT:
The opening angle adjustment can be carried out only with open door.

FROM THE INSIDE OF THE CABINET



FROM THE BACKSIDE OF THE CABINET



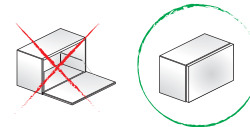
8

ADJUSTMENT OF STRENGTH SETTINGS

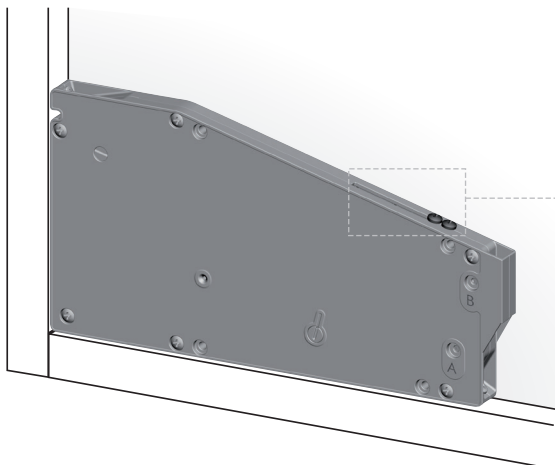
Possibility to adjust the settings of the mechanism also upon completed assembly.
For details refer to the related section.

VERY IMPORTANT:
Before proceeding, make sure:

- 1) The door is completely closed.



- 2) The mechanism is completely in position.



OK

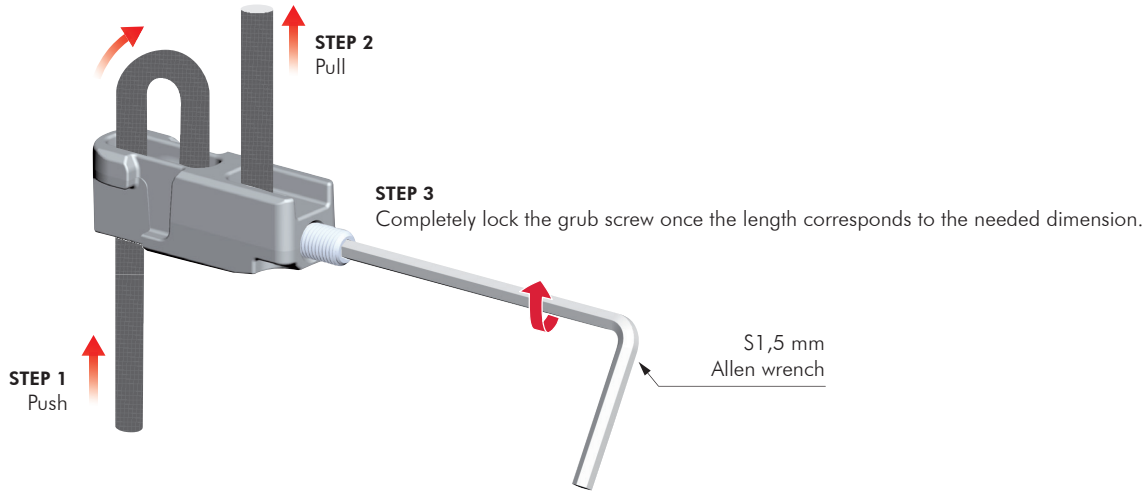
NO

In this case put the small flap in position with a screwdriver.

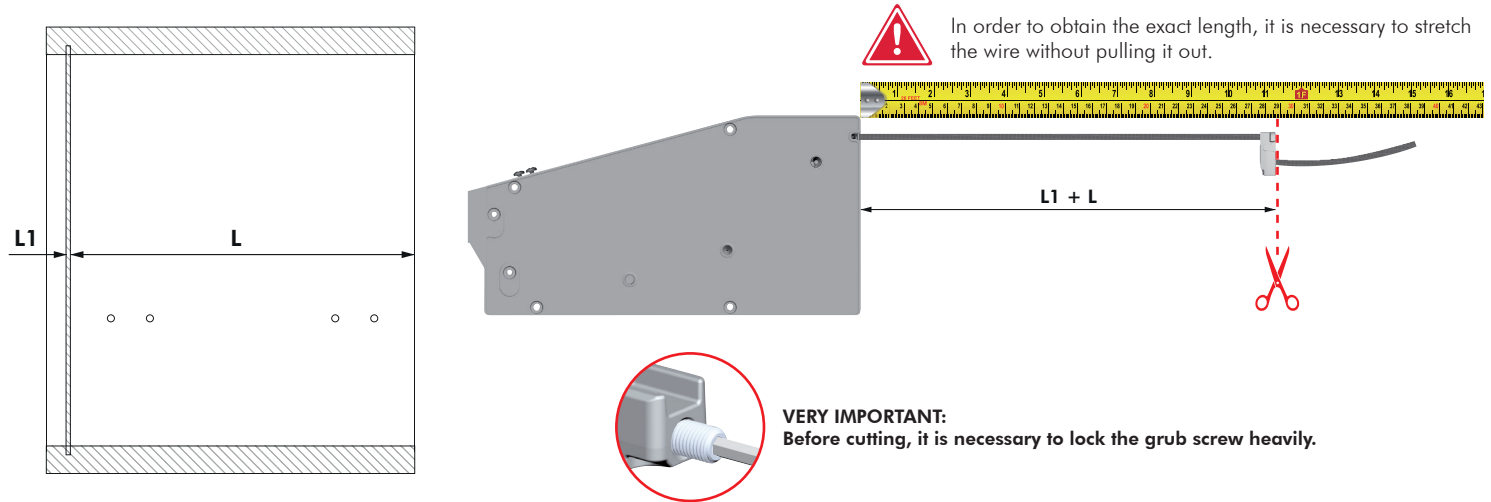


INSTRUCTIONS FOR WIRE CUTTING

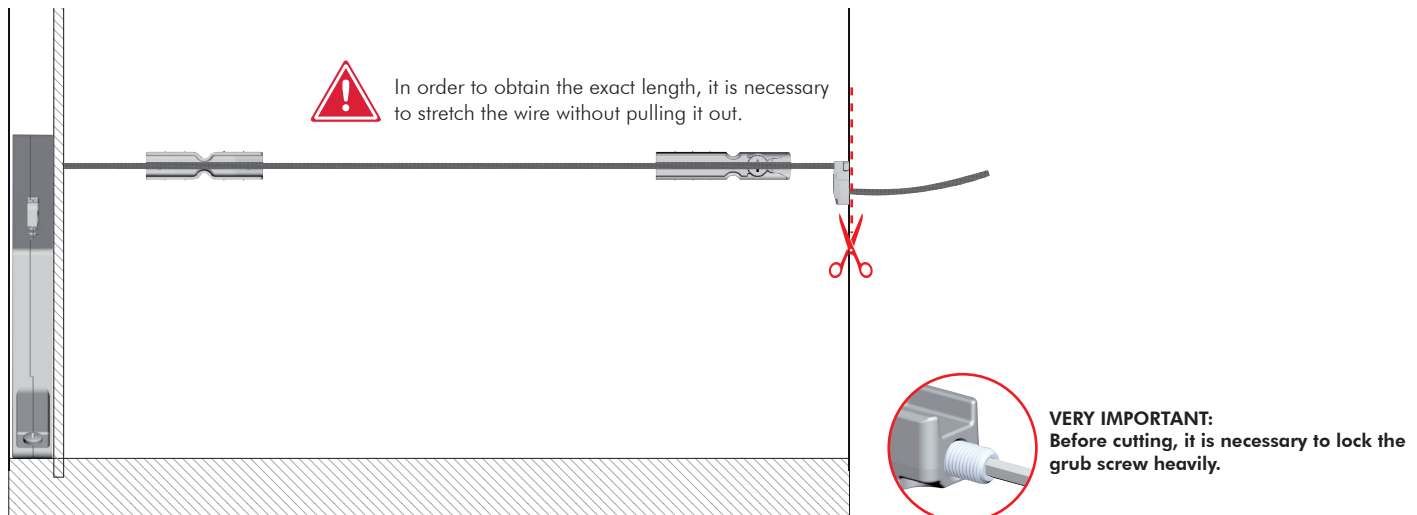
INSERTION OF THE WIRE INTO THE END PART AND LOCKING WITH M3 GRUBSCREW



WIRE CUTTING WITH UNMOUNTED MECHANISM

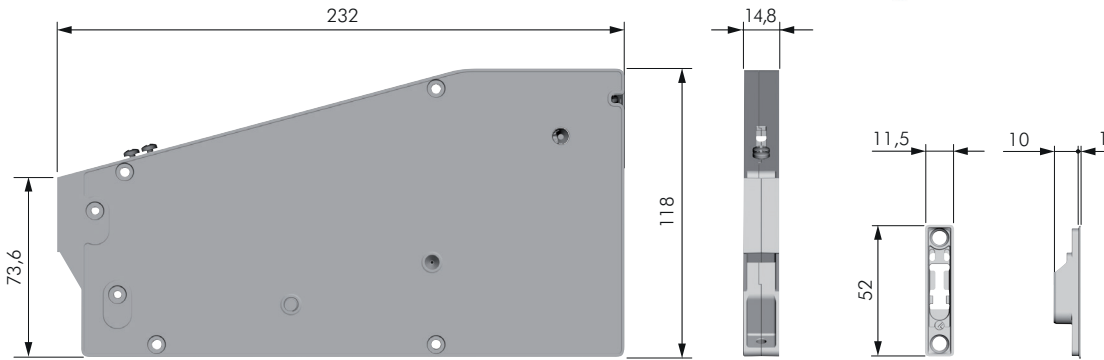
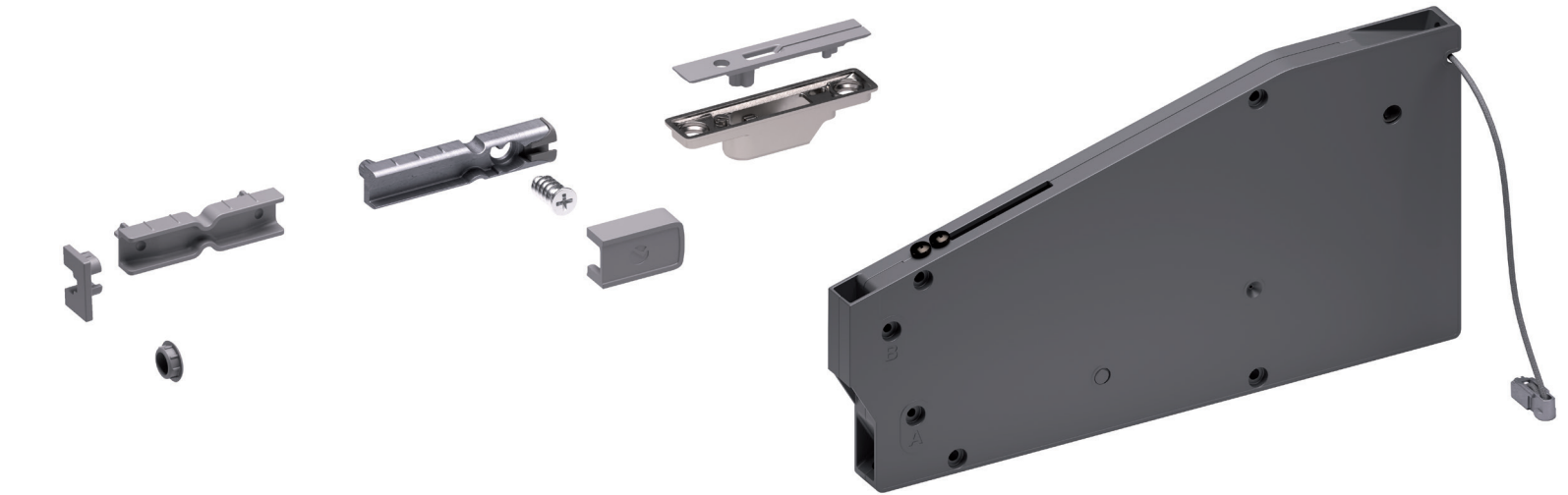


WIRE CUTTING WITH MOUNTED MECHANISM





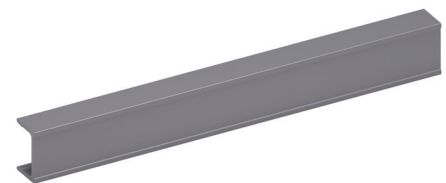
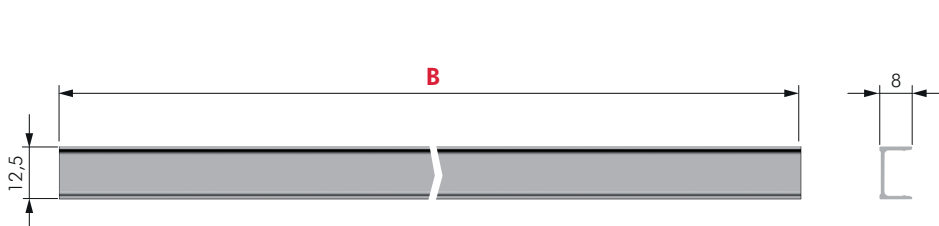
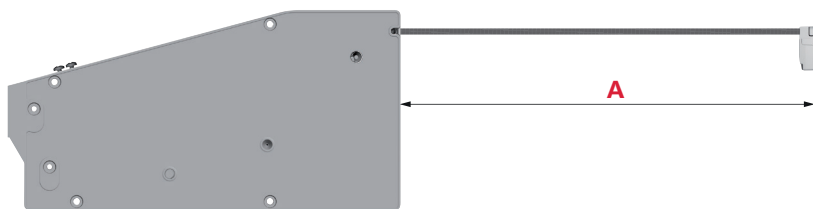
OPENING SYSTEMS FOR LIFT UP AND DROP DOWN DOORS



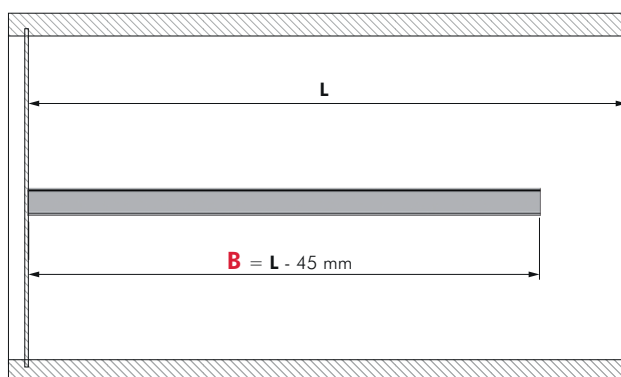
ZA	EP	ST	= 12 pcs.
			A (mm)
KIARO	46006000YA	YQ	600
KIARO S	46106000YA	YQ	

NOTE: Possibility to supply the wire with customized length (A).

8



CUT TO SIZE RULE:



AL	= 12 pcs.		
			B (mm)
46205500UT	FV		550

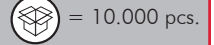
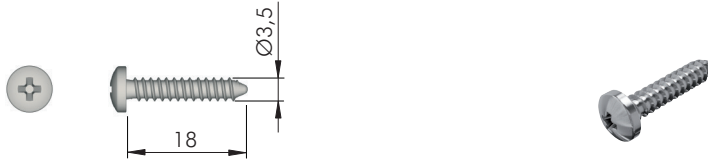
NOTE: Possibility to supply the aluminium profile with customized length (B).

Finishes matching between cover caps and alu. profiles:

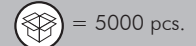
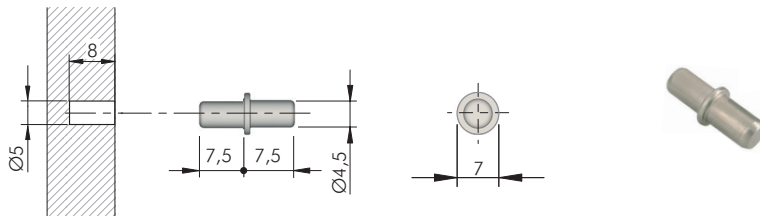
YA → UT
YQ → FV



ACCESSORIES FOR MECHANISM FIXING



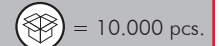
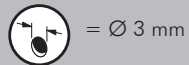
60103150ZN



10101010ZN



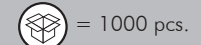
ACCESSORY FOR DOOR BRACKET FIXING



60101390ZN

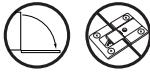


ACCESSORY FOR LOCKING THE GRUB SCREW

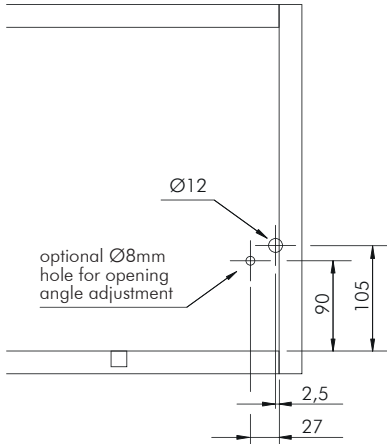


62501050ZN

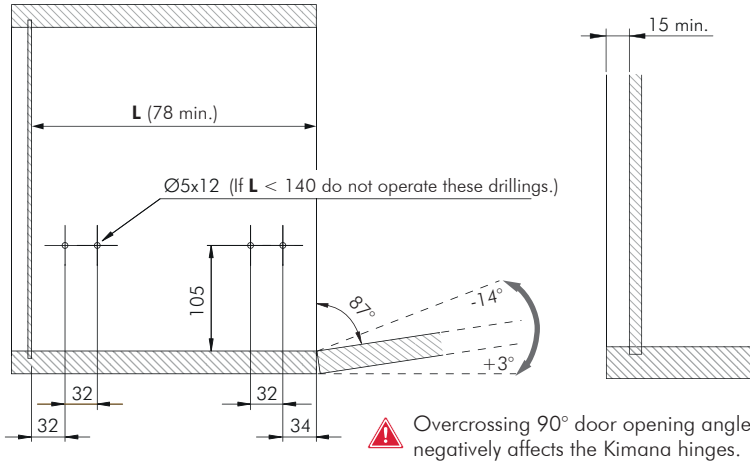
KIARO WITH KIMANA HINGE



BACK-PANEL DRILLING OPERATIONS

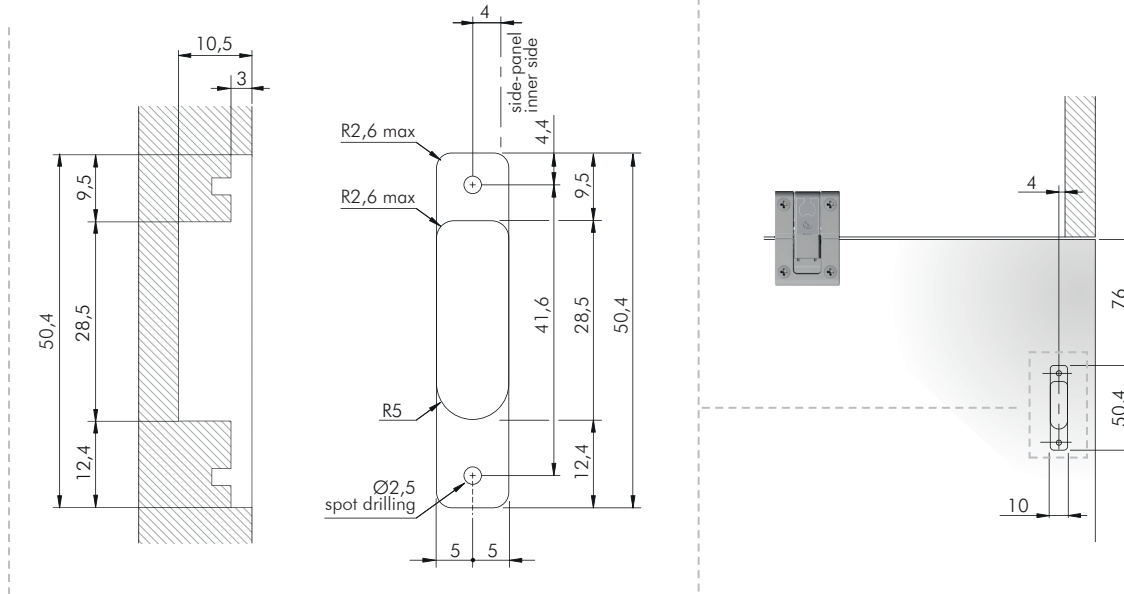


SIDE-PANEL DRILLING OPERATIONS



In case of door without handles it is recommended to use **K Push Tech with buffer**.

DOOR PANEL DRILLING OPERATIONS



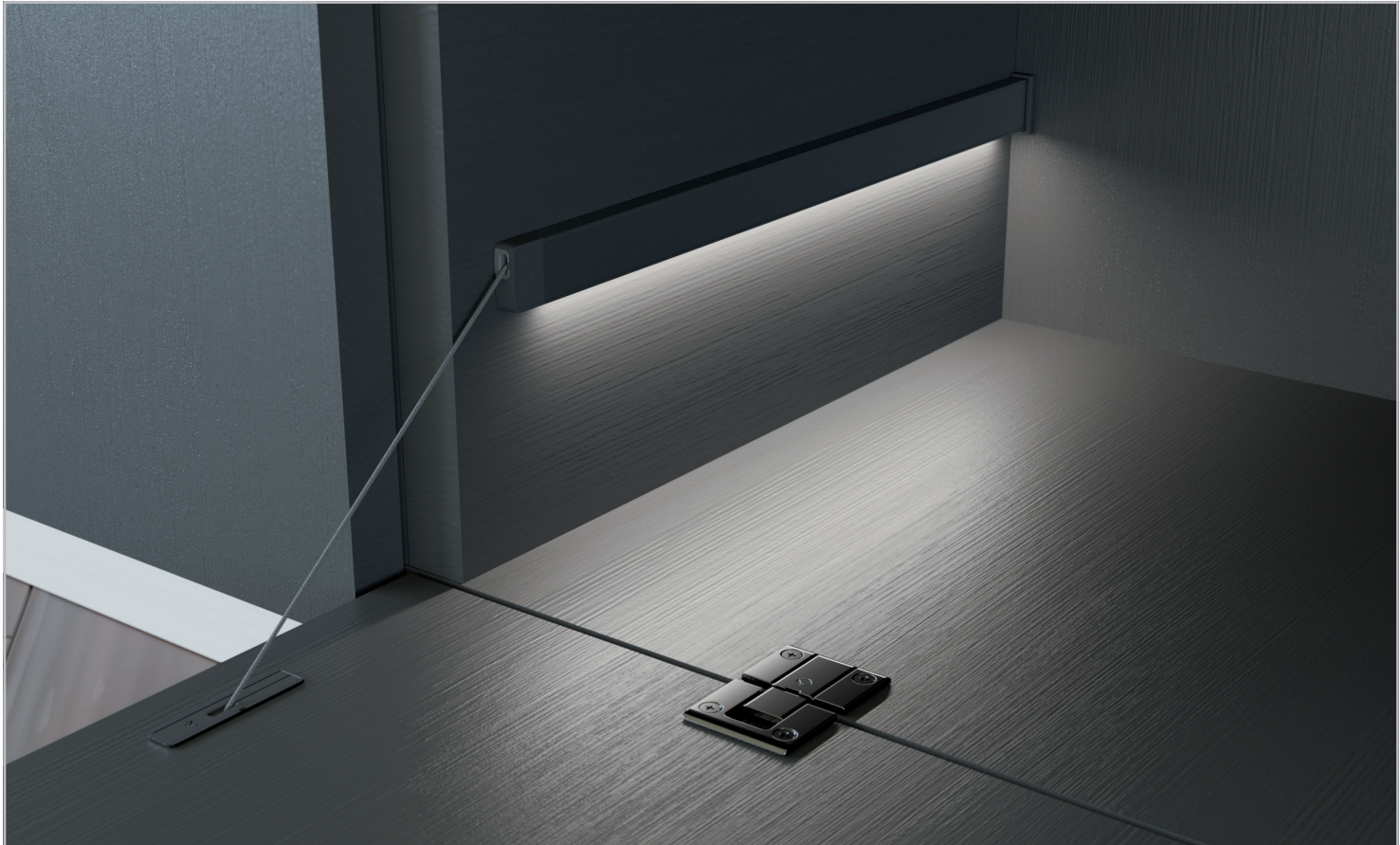
KIARO WITH STANDARD UNSPRUNG HINGES



In case other hinges than KIMANA are used, it is necessary to contact an authorized dealer for a correct drilling scheme. For this purpose, use the form on the Italiana Ferramenta website (product KIARO) to provide the required specifications.



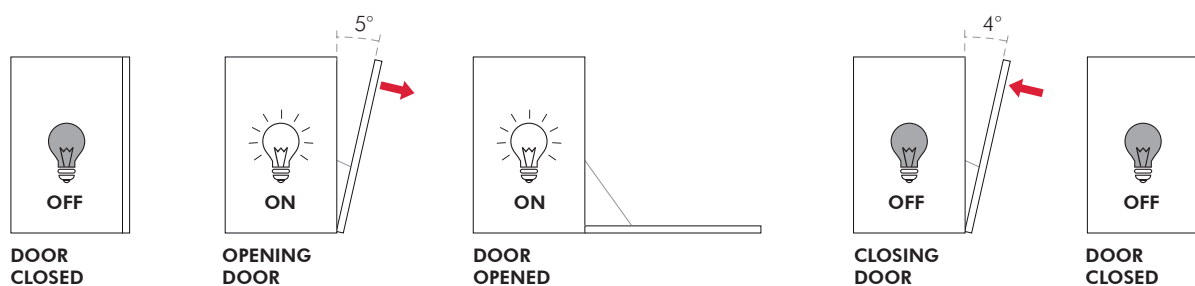
KIARO LED



The mechanism can be supplied with an integrated device operating as an on-off switch for the internal light, coordinated with the door opening and closing, adding a homely ambiance and a touch of luxury.

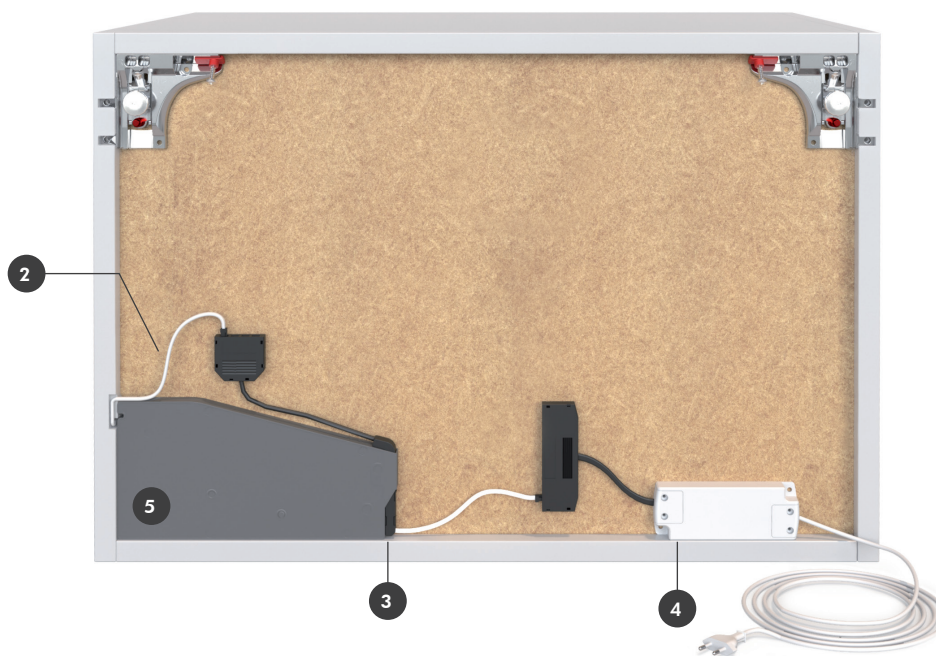
The lighting device of KIARO is to be installed on the concealed mechanism and can work either for the lateral profile with integrated LED strip or for other lighting appliances placed inside the cabinet.

Thanks to this bespoke device, it is no longer required to make special drilling operations to install visible opening detectors.





COMPONENTS FOR APPLICATIONS WITH 1 KIARO LED



1 1 x KIARO LED ALUMINIUM PROFILE (page 8.14)
1 x COVER CAPS SET (page 8.14)

2 1 x LED FLEXIBLE STRIP (page 8.15)

3 1 x SENSOR FOR KIARO LED (page 8.14)

4 1 x CHARGER (page 8.15)

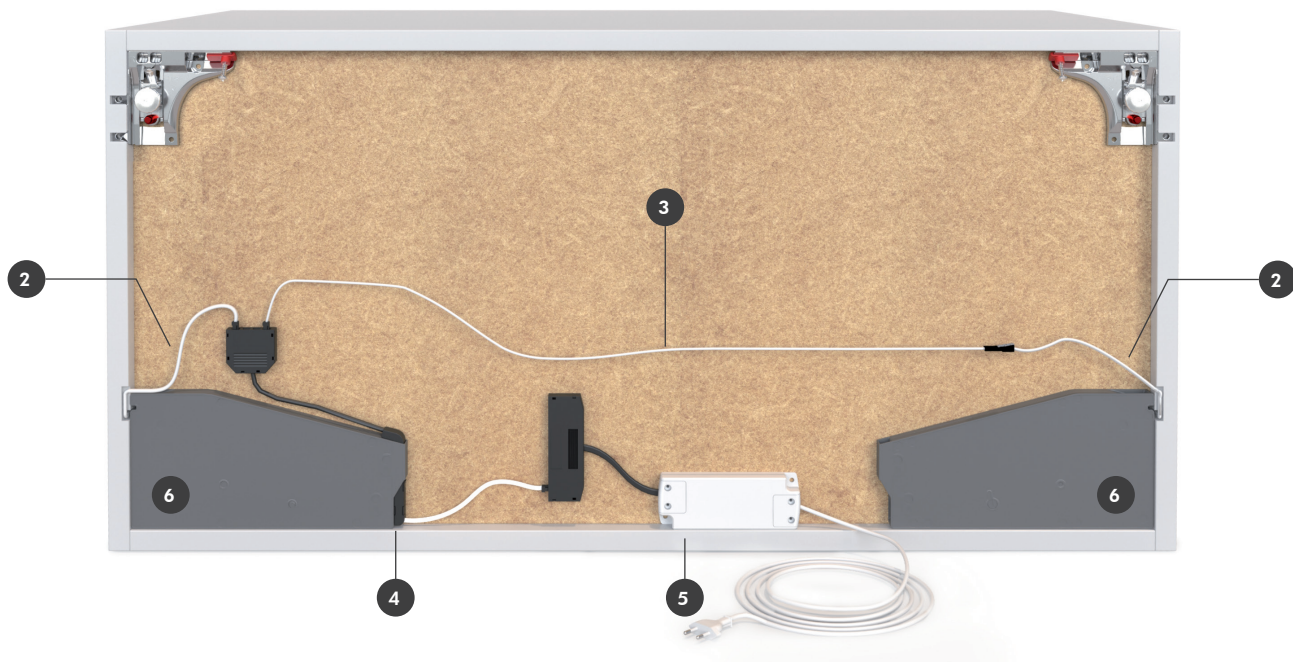
5 KIT MECHANISM KIARO or KIARO S (with door brackets) (page 8.8)



For the correct mechanism settings please refer to the dedicated section.



COMPONENTS FOR APPLICATIONS WITH 2 KIARO LED



1 2 x KIARO LED ALUMINIUM PROFILE (page 8.14)
1 x COVER CAPS SET (page 8.14)

2 2 X LED FLEXIBLE STRIP (page 8.15)

3 1 X EXTENSION CABLE (page 8.16)

4 1 X SENSOR FOR KIARO LED (page 8.14)

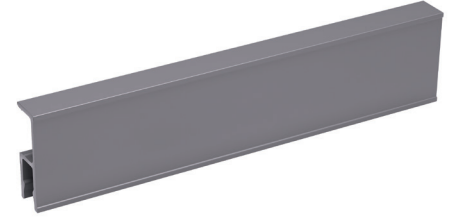
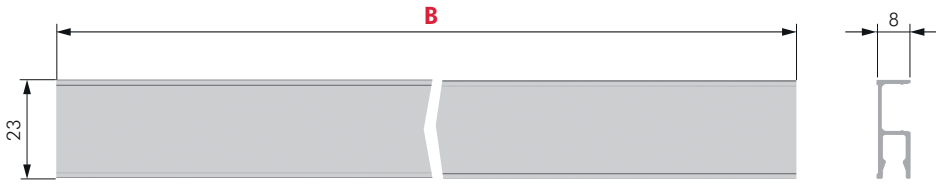
5 1 X CHARGER (page 8.15)

6 KIT MECHANISM KIARO or KIARO S (with door brackets) (page 8.8)

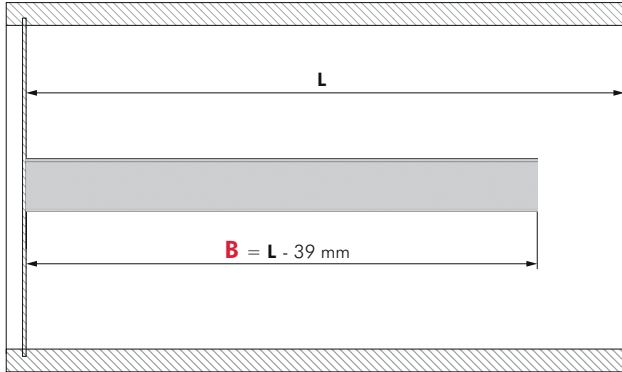


For the correct mechanism settings please refer to the dedicated section.

KIARO LED ALUMINIUM PROFILE



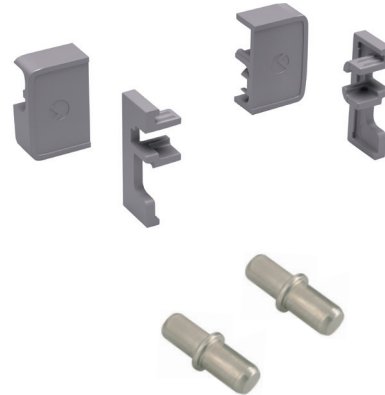
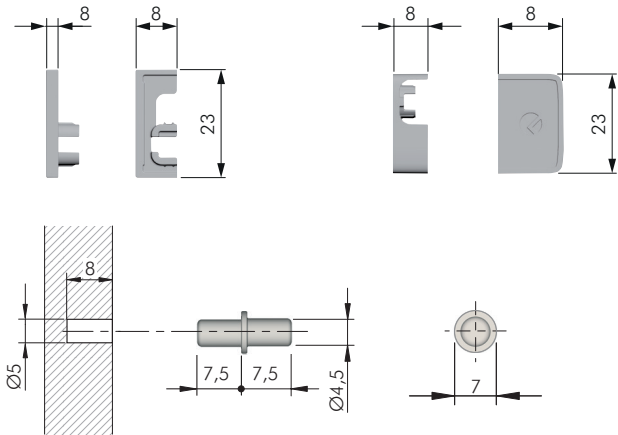
CUT TO SIZE RULE:



AL	= 12 pcs.
46505500UT	B (mm) FV 550

NOTE: Possibility to supply the aluminium profile with customized length (B).

COVER CAPS SET

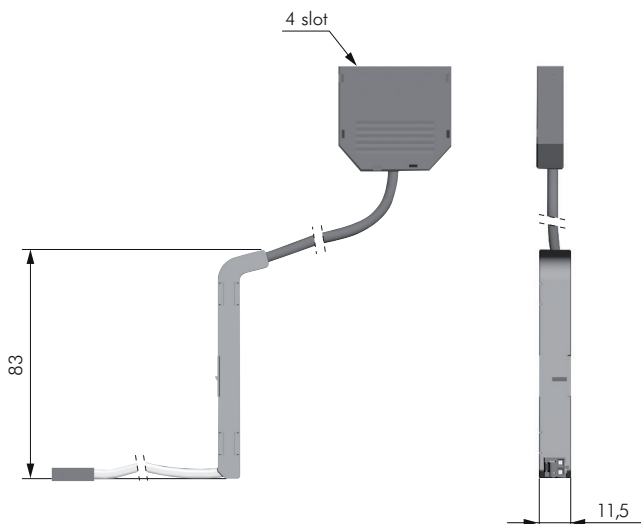


EP	= 1 pc.
46303140EW	EE

NOTE: Finishes matching between cover caps and alu. profiles:

EW → UT
EE → FV

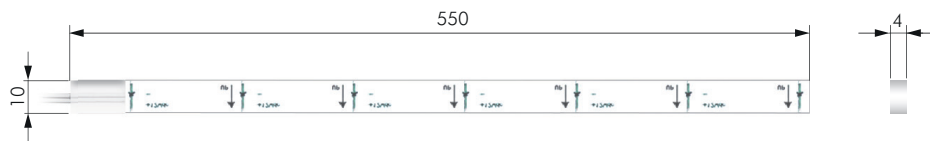
SENSOR FOR KIARO LED



Maximum output: 30 Watt with light 12Vdc 60 Watt with light 24Vdc	
4670600000	= 12 pcs.

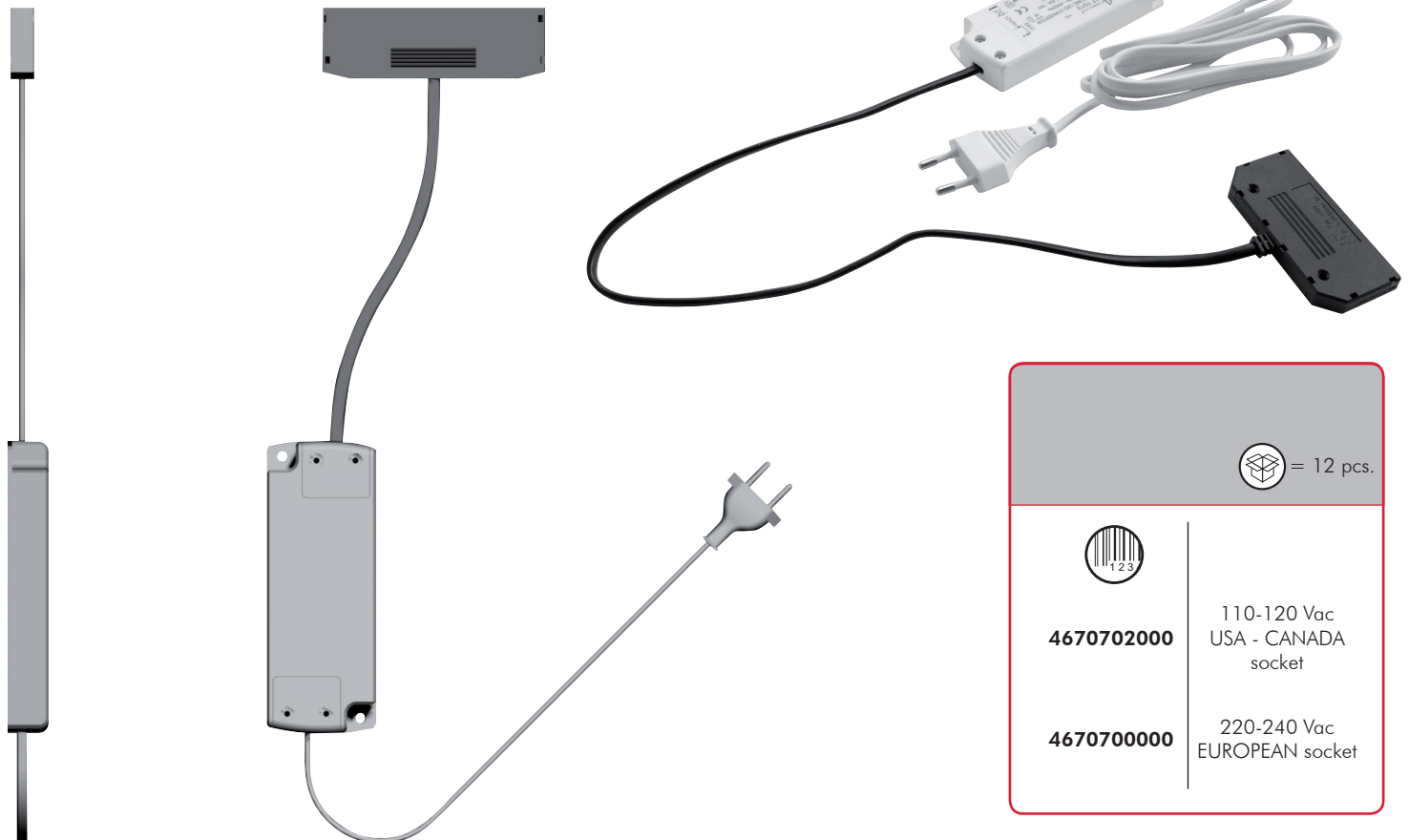


LED FLEXIBLE STRIP



= 12 pcs.	
123 46601000AB	LED Colour temperature 4000 K

CHARGER



= 12 pcs.	
123 4670702000	110-120 Vac USA - CANADA socket
4670700000	220-240 Vac EUROPEAN socket

The chargers images shown here are for illustrative purposes only.



EXTENSION CABLE



Length: 2000 mm

= 12 pcs.



4670601000

CUSTOMER LIGHTING CONNECTORS



Negative
 Positive



Length: 150 mm

Male connector

= 12 pcs.



4670602000



Negative
 Positive



Length: 150 mm

Female connector

= 12 pcs.

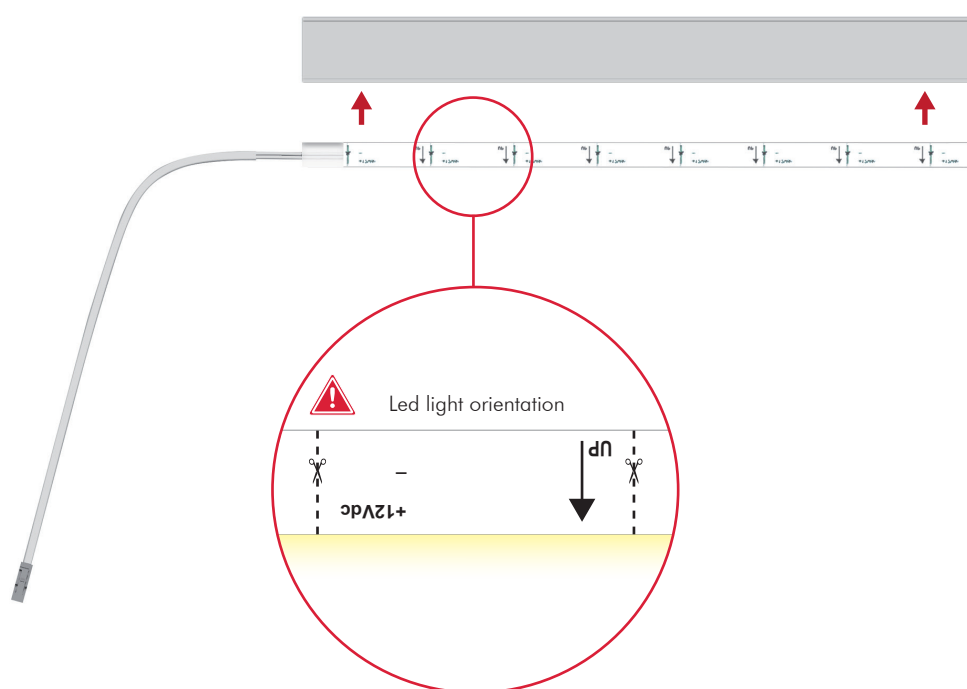
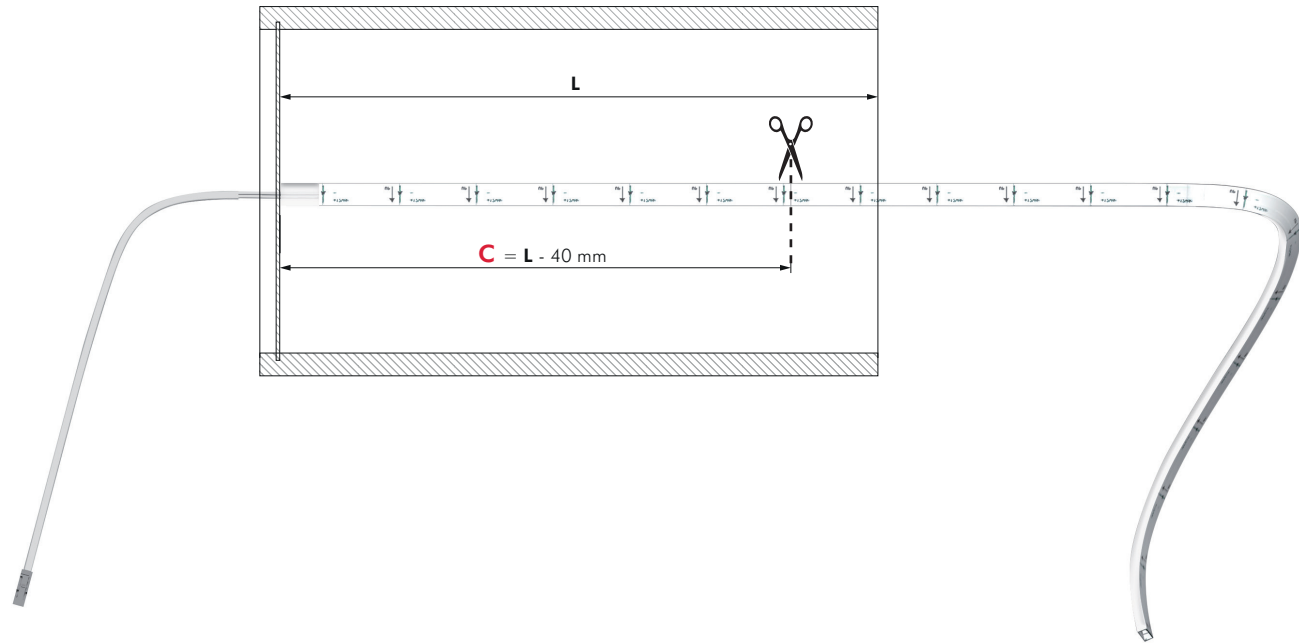


4670603000



KIARO LED INSTALLATION

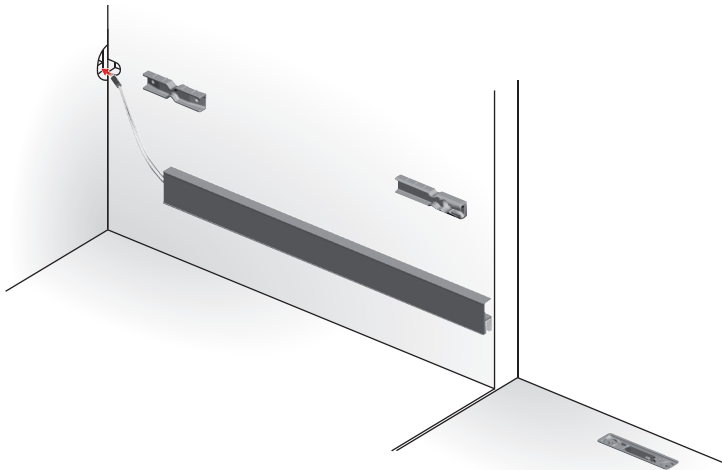
HOW TO CUT ON SIZE AND INSTALL THE LED FLEXIBLE STRIP.



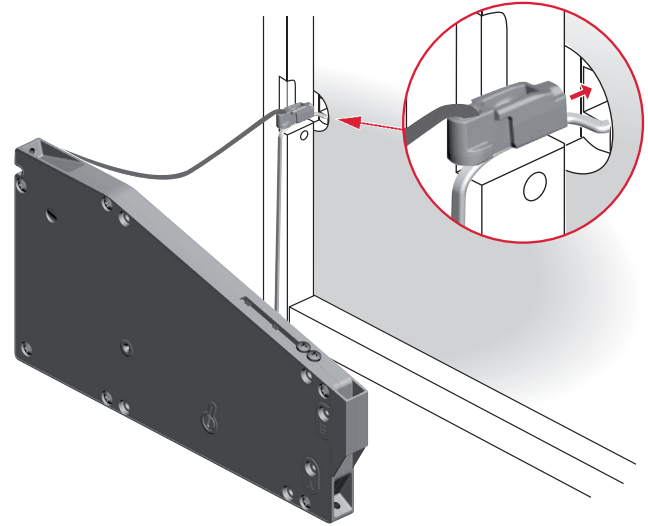


OPENING SYSTEMS FOR LIFT UP AND DROP DOWN DOORS

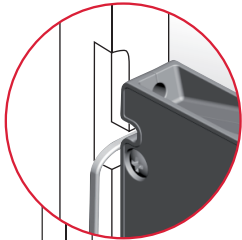
LED STRIP ELECTRICAL WIRE INSERTION THROUGH THE BACKSIDE HOLE



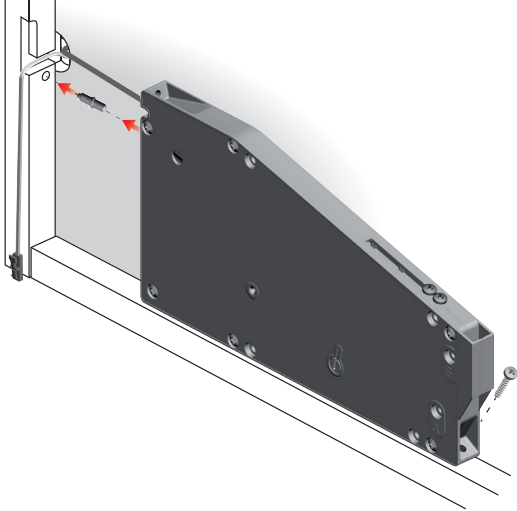
MECHANISM INSTALLATION



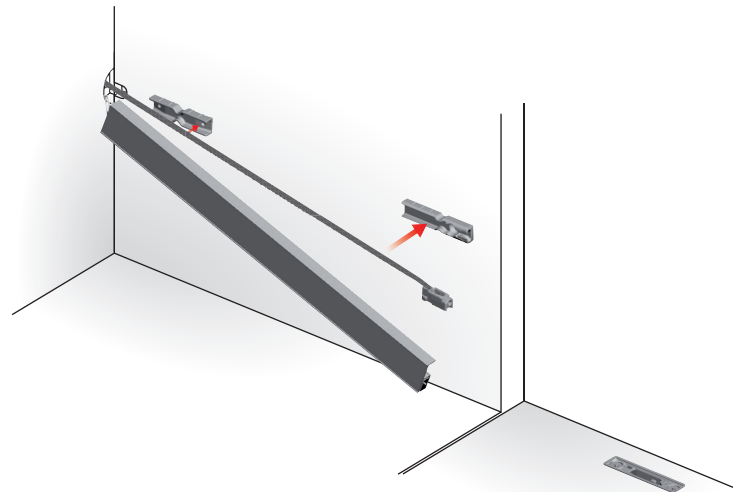
MECHANISM FIXING



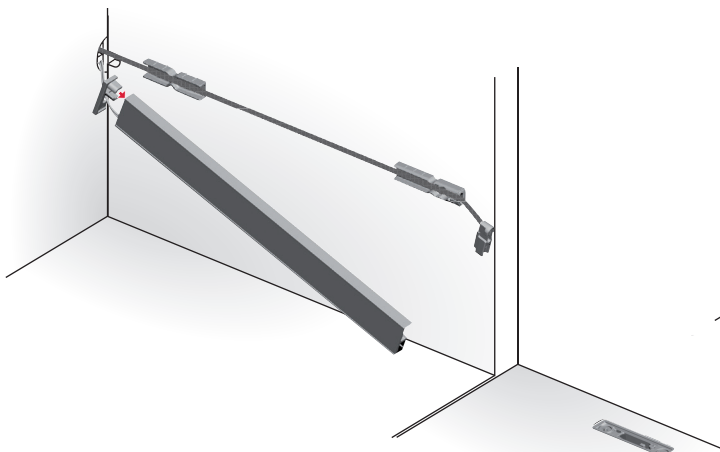
Pull the power cable of the led strip through the drilling spot on the cabinet side, before fixing the main mechanism.



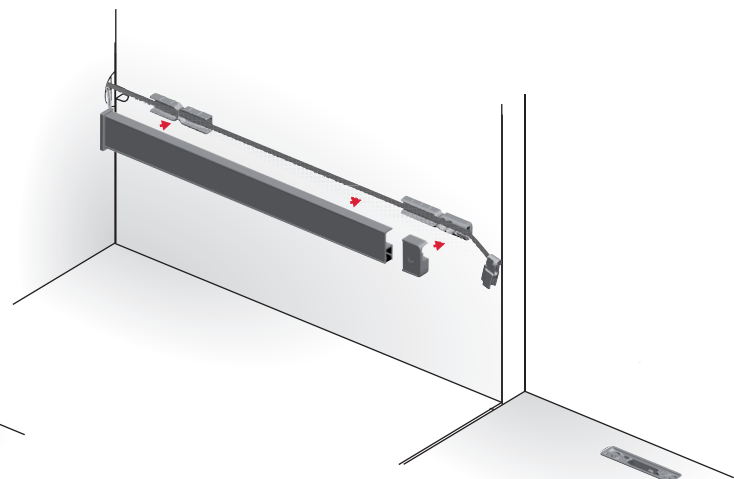
WIRE INSTALLATION



INSERTION OF THE BACKSIDE COVER FOR ALU. PROFILE

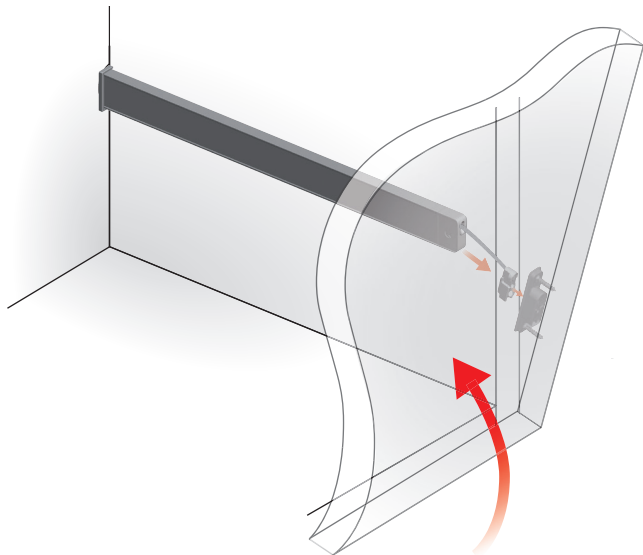


COVER CAPS AND ALUMINIUM LATERAL PROFILE INSERTION

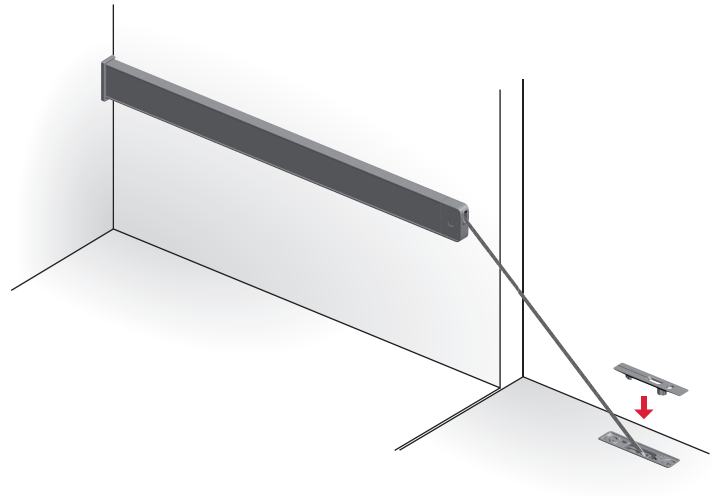




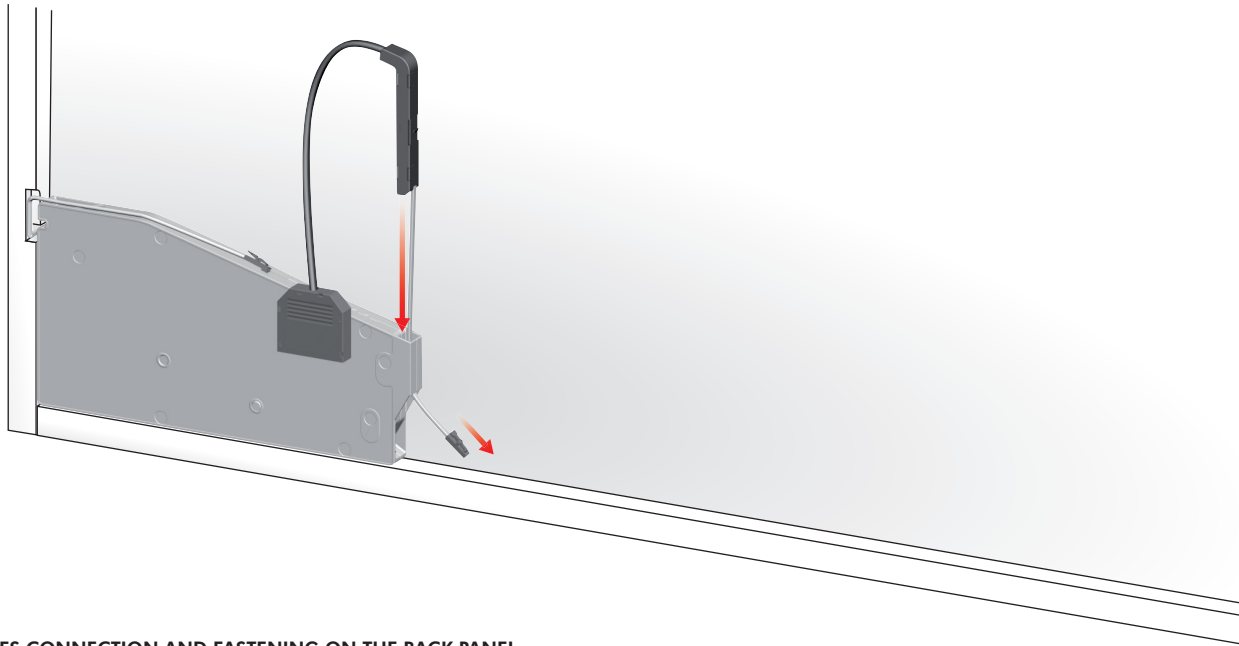
WIRE INSERTION ONTO THE DOOR BRACKET



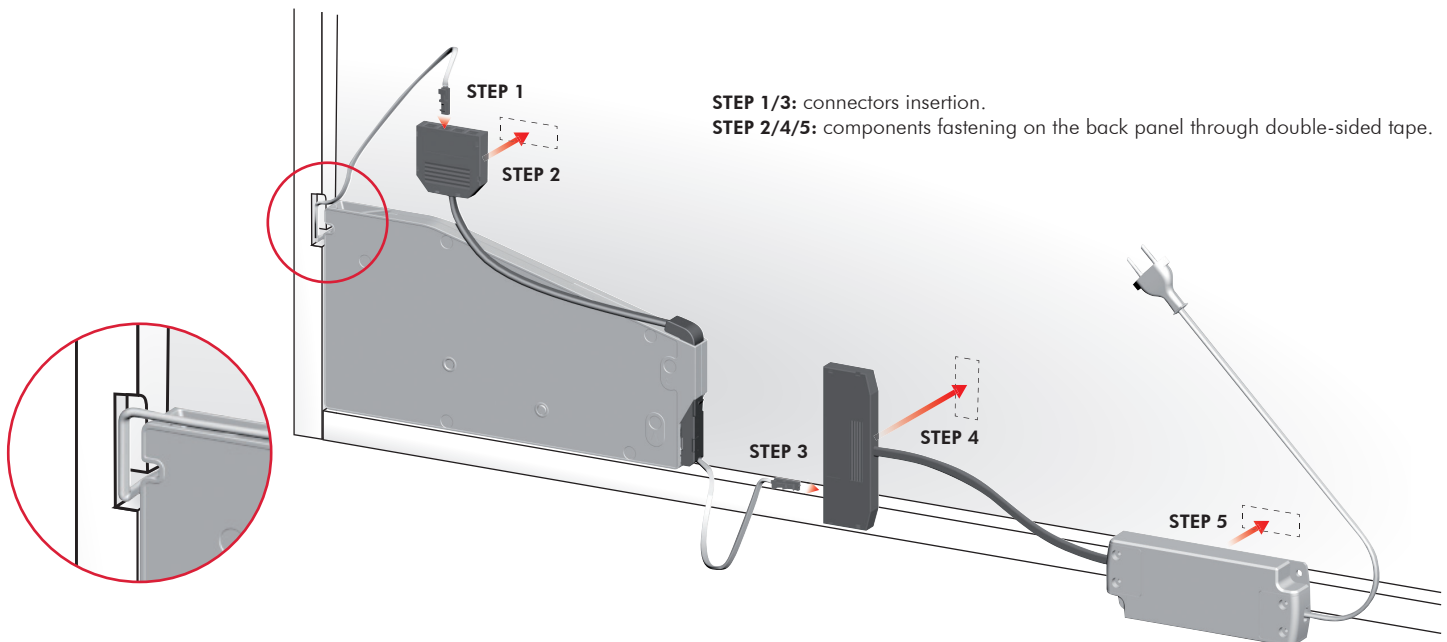
COVER CAP FOR DOOR BRACKET INSERTION



SENSOR INSTALLATION

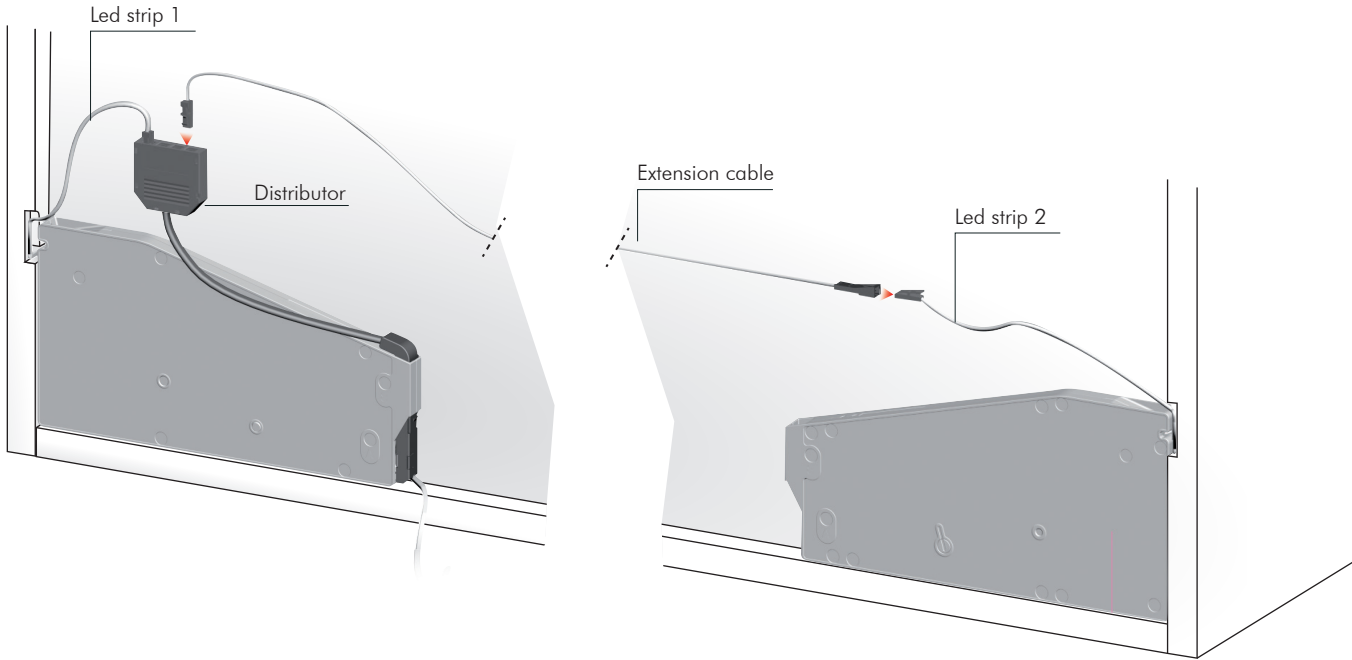


DEVICES CONNECTION AND FASTENING ON THE BACK PANEL.



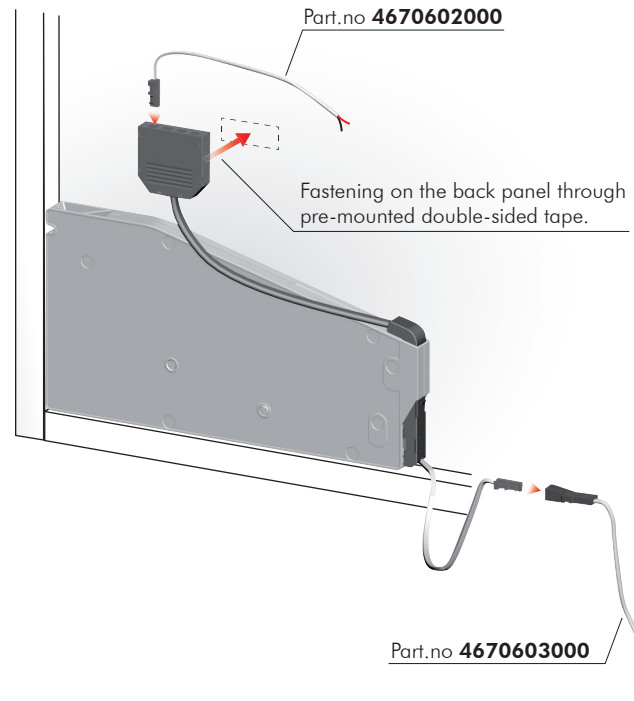
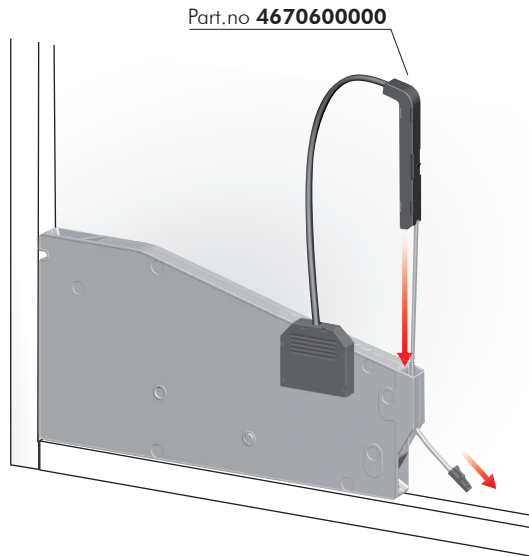


EXTENSION CABLE CONNECTION WITH LED STRIP CONNECTORS

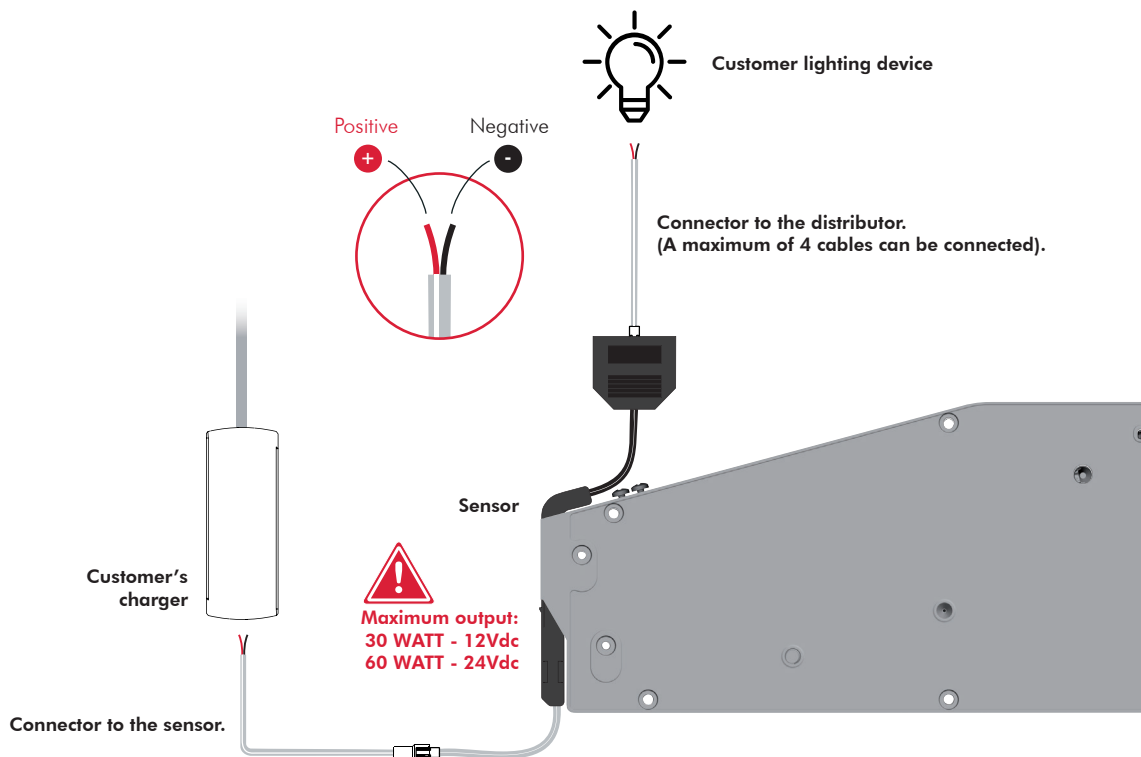




KIARO WIRING DIAGRAM FOR CUSTOMER LIGHTING



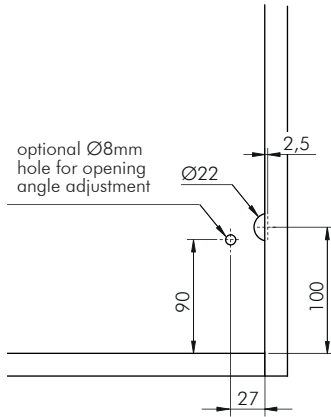
Each door must be connected to only one sensor, no matter how many mechanism are installed.



KIARO LED WITH KIMANA HINGE

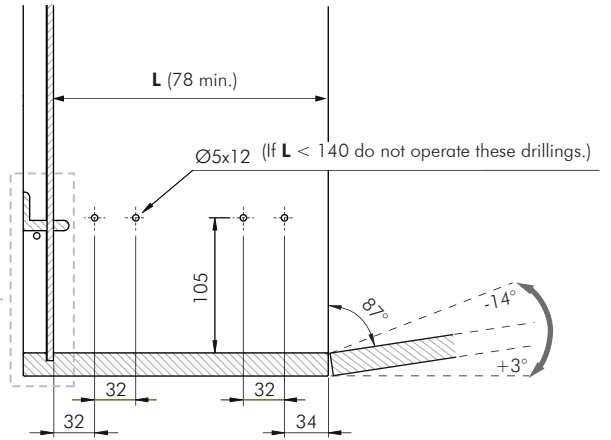
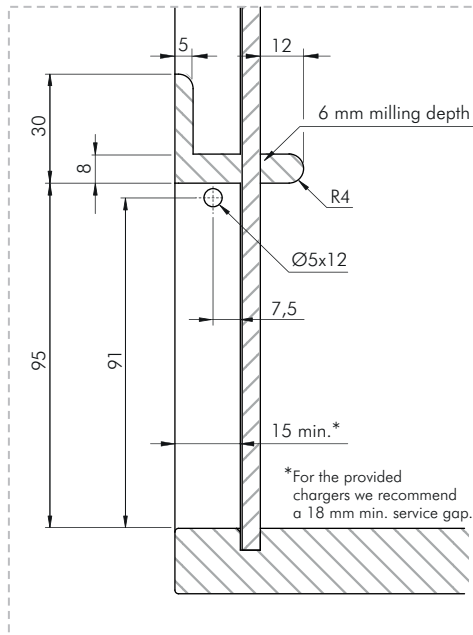


BACK-PANEL DRILLING OPERATIONS



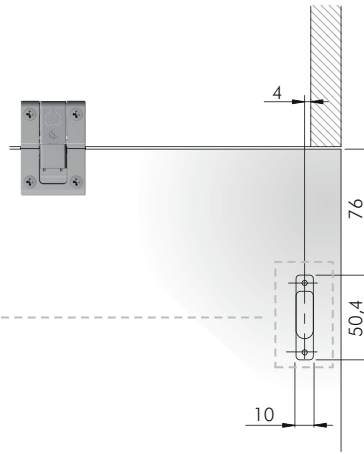
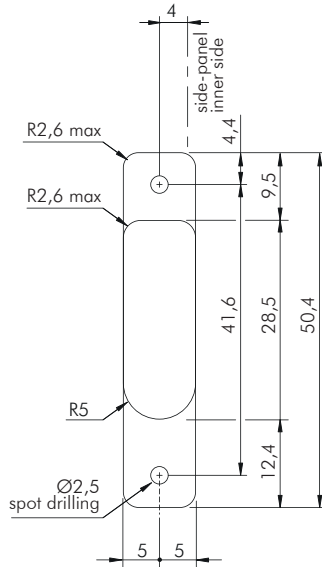
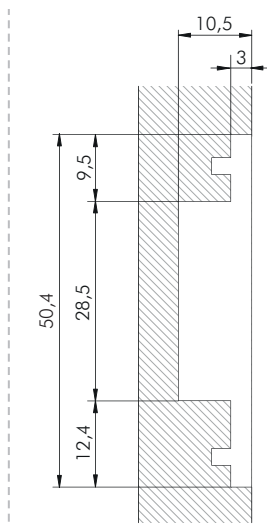
In case of door without handles it is recommended to use **K Push Tech with buffer**.

SIDE-PANEL DRILLING OPERATIONS



⚠ Overcrossing 90° door opening angle, negatively affects the Kimana hinges.

DOOR PANEL DRILLING OPERATIONS



KIARO LED WITH STANDARD UNSPRUNG HINGES



In case other hinges than KIMANA are used, it is necessary to contact an authorized dealer for a correct drilling scheme. For this purpose, use the form on the Italiana Ferramenta website (product KIARO) to provide the required specifications.

OTHER APPLICATIONS OF KIARO

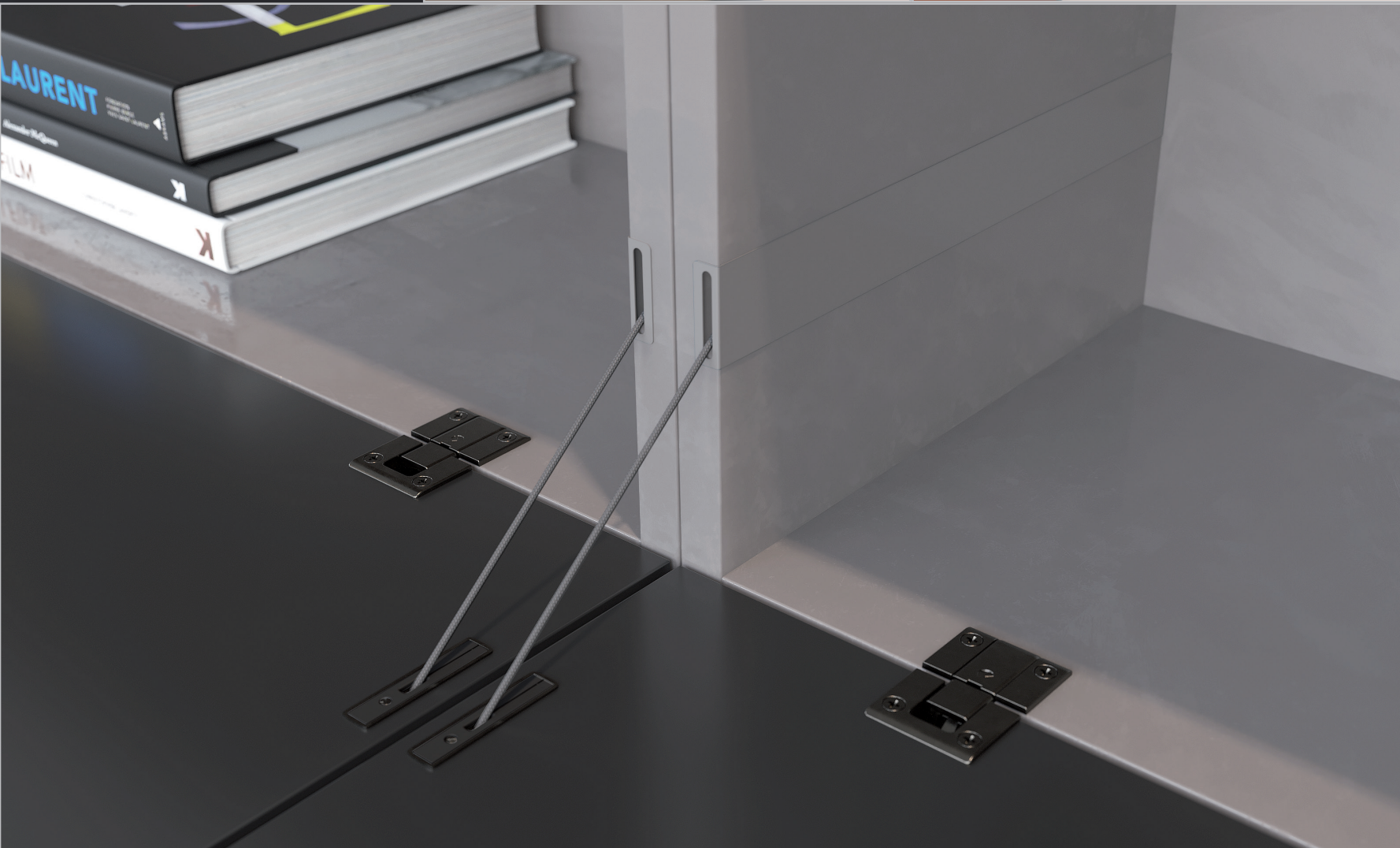
*Door bracket for
screw fixing without
milling on the door*



*Door bracket for
aluminium doors*



Kiara Skin



Kiara Fox



Kiara Deck

