



## K12 SYSTEM DROP DOWN

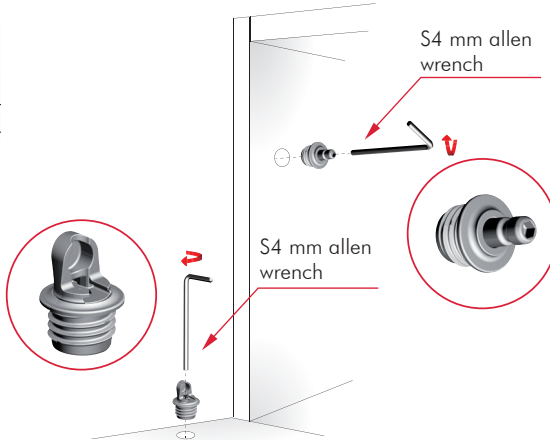
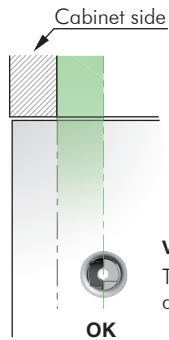


REGISTERED DESIGN  
EN 15828/2010



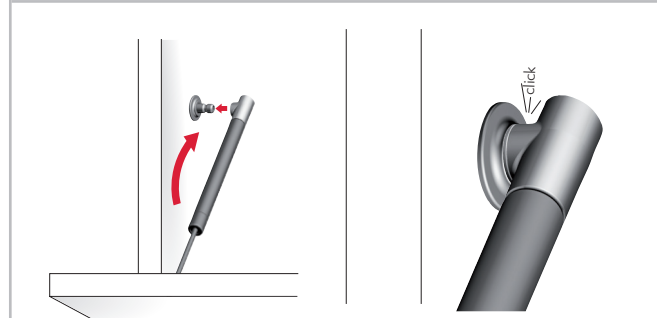
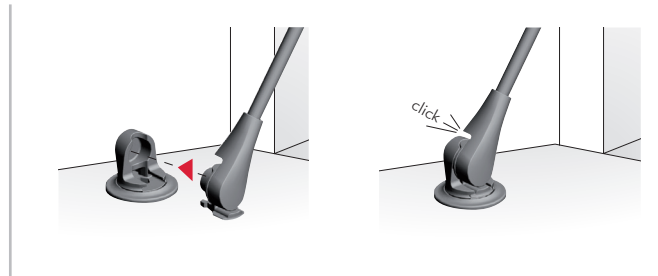
### BRACKET Ø15 INSTALLATION

- For details refer to "K12 SYSTEM BRACKETS".



#### VERY IMPORTANT

The door bracket has to be aligned with the cabinet side.

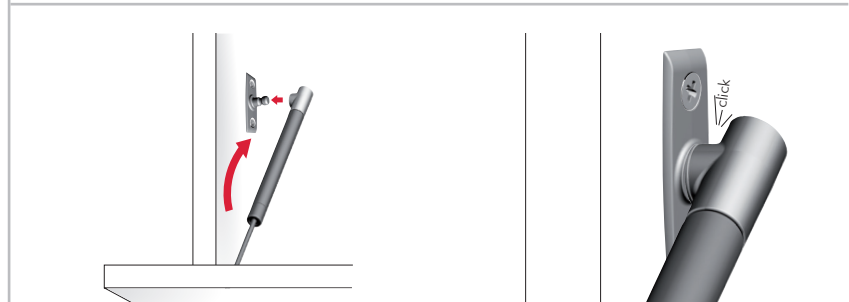
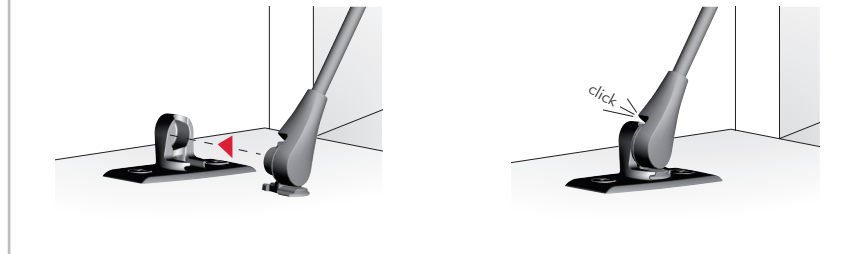
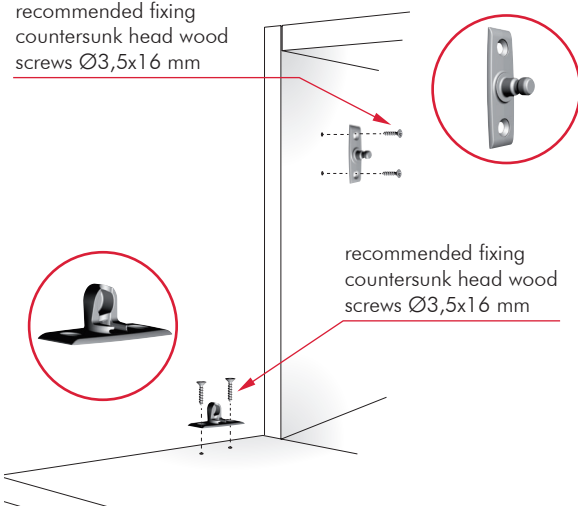


8

### SCREW FIXING BRACKETS INSTALLATION

- For details refer to "K12 SYSTEM BRACKETS".

recommended fixing countersunk head wood screws Ø3,5x16 mm





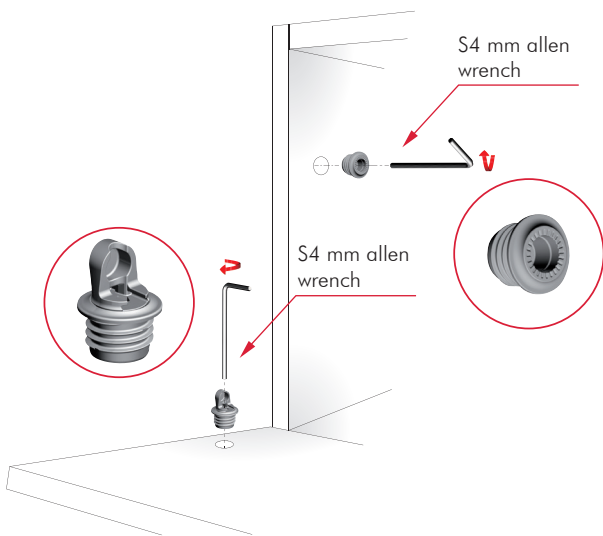
## K12 SYSTEM ADJ DROP DOWN



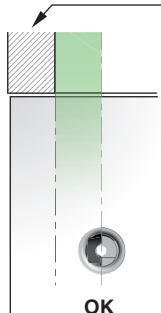
### BRACKET Ø15 INSTALLATION

- For details refer to "K12 SYSTEM ADJ BRACKETS".

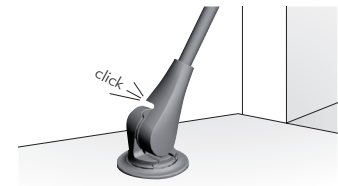
8



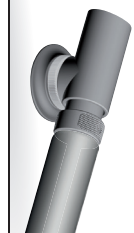
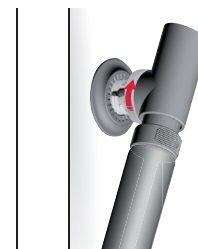
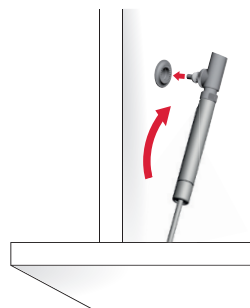
Cabinet side



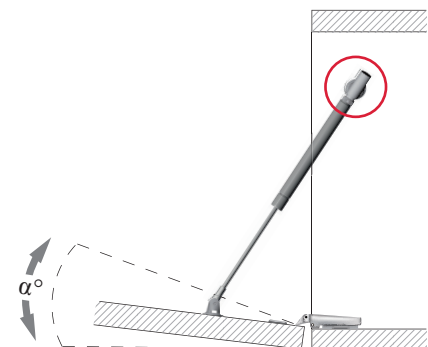
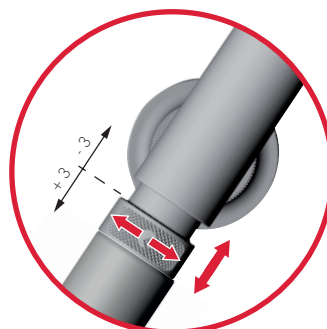
**VERY IMPORTANT**  
The door bracket has to be aligned with the cabinet side.



**LOCKING:** Rotate the plastic knob.

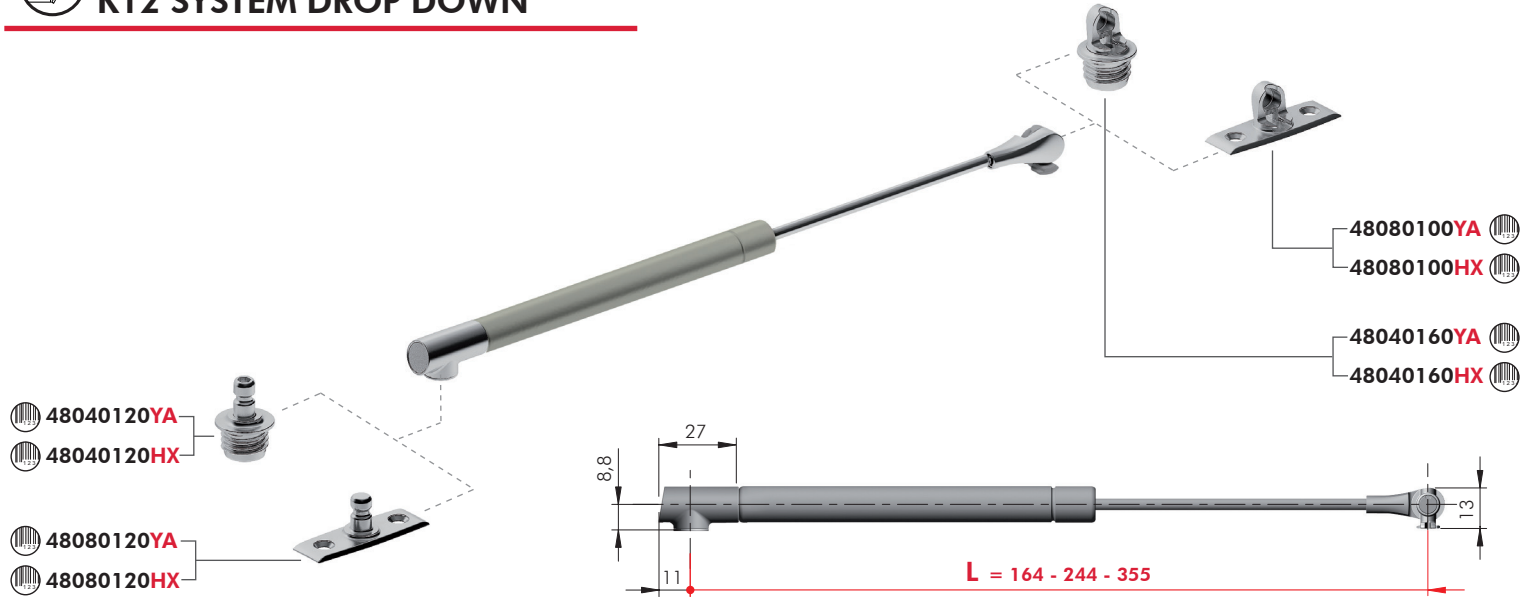


### ADJUSTMENT

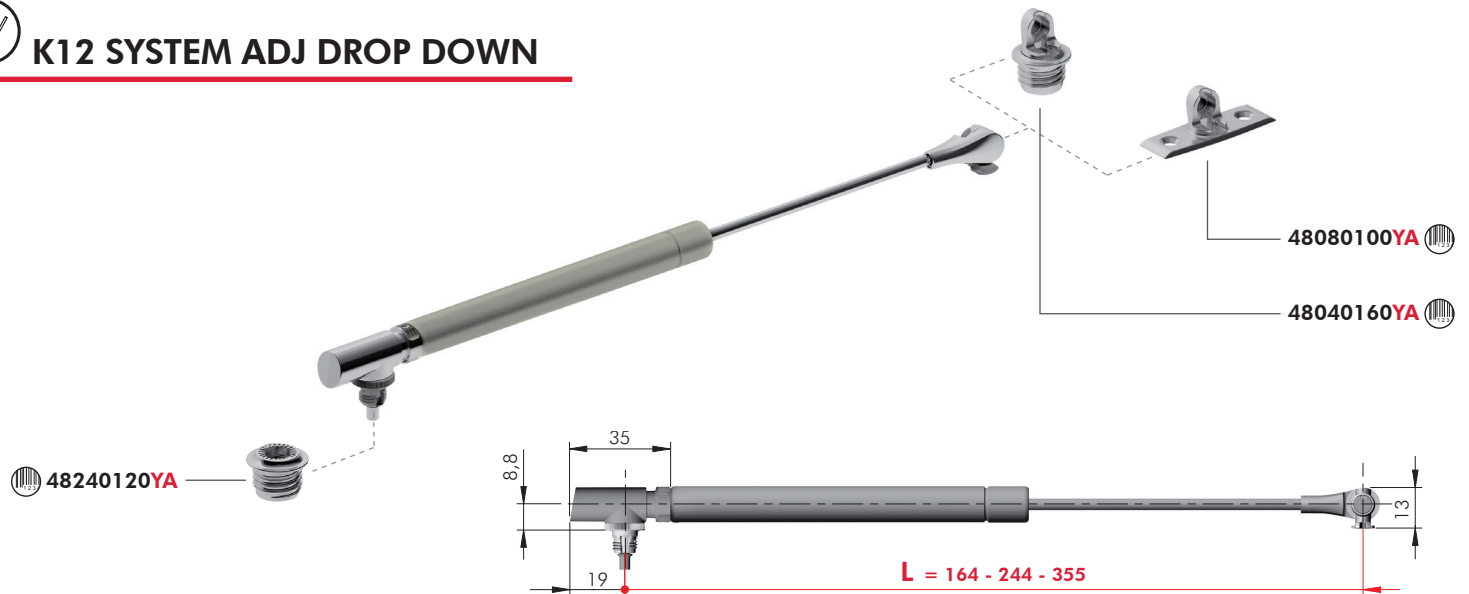




## K12 SYSTEM DROP DOWN





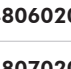




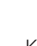




## K12 SYSTEM ADJ DROP DOWN



ZA EP ST

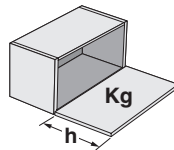
= 100 pcs. for L. 164 mm  
50 pcs. for L. 244 and 355 mm

L	K12 SYSTEM	K12 SYSTEM ADJ
164	  48050200UZ	  48250200UZ
244	  48060200UZ	  48260200UZ
355	  48070200UZ	  48270200UZ

+  Part.no + HX

+  Part.no + HX = K12 System with end parts in graphite finish are available on request.

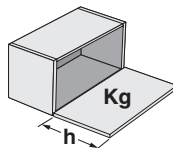
## Number of stays chart - L 164 mm



Rev. 02

h	Door weight (Kg)					
	1	2	3	4	5	6
200 - 224	1 x K12		2 x K12			
225 - 274	1 x K12		2 x K12			3 x K12
275 - 300	1 x K12		2 x K12		3 x K12	

## Number of stays chart - L 244 mm

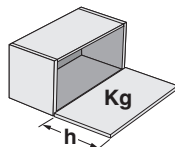


Rev. 02

h	Door weight (Kg)												
	1	2	3	4	5	6	7	8	9	10	11	12	13
290 - 324	1 x K12		2 x K12					3 x K12				4 x K12	
325 - 374	1 x K12		2 x K12				3 x K12				4 x K12		
375 - 424	1 x K12		2 x K12			3 x K12				4 x K12			
425 - 474	1 x K12		2 x K12		3 x K12			4 x K12				-	
475 - 500	1 x K12		2 x K12		3 x K12		4 x K12			-			

8

## Number of stays chart - L 355 mm



Rev. 02

h	Door weight (Kg)												
	1	2	3	4	5	6	7	8	9	10	11	12	13
390 - 424	-		1 x K12			2 x K12					3 x K12		
425 - 474	-		1 x K12			2 x K12				3 x K12			
475 - 524	-		1 x K12			2 x K12				3 x K12			
525 - 574	-		1 x K12		2 x K12			3 x K12					
575 - 600	1 x K12		2 x K12			3 x K12				4 x K12			

These are experimental results to be checked by the customer. **In accordance with the actual European regulation, we suggest to use at least two stays for each door.** Our technical department is at your disposal to test further cases out of this chart.



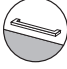



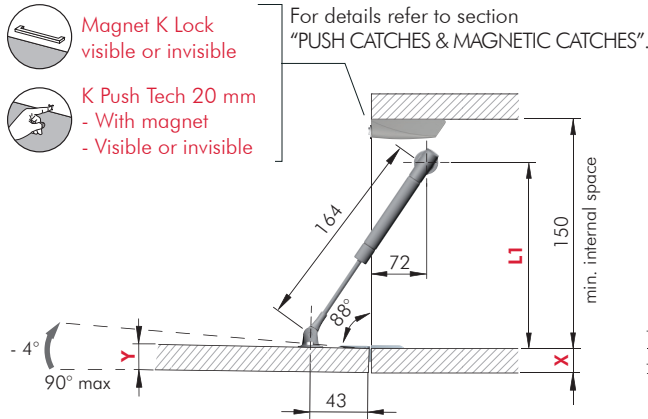
K12 SYSTEM CONFIGURATOR:



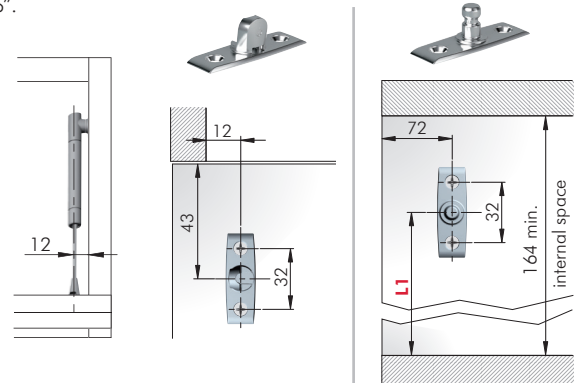
## DROP DOWN DRILLING PLANS WITH KIMANA HINGE

### L 164 mm

-  Magnet K Lock  
visible or invisible
-  K Push Tech 20 mm  
- With magnet  
- Visible or invisible





### SCREW FIXING BRACKETS:



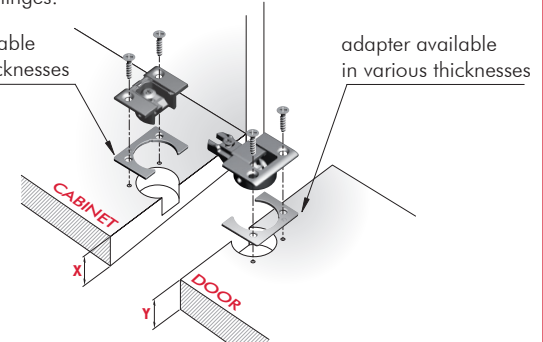
Bracket not available for K12 SYSTEM ADJ

**Opening angle adjustment** is possible only with K12 SYSTEM ADJ version.

⚠ Overcrossing 90° door opening angle, it negatively effects the Kimana hinges.

Cabinet (X)		Door (Y)		L1
16 mm	4 mm	16 mm	2 mm	129
16 mm	4 mm	19 mm	-	131
18 mm	2 mm	18 mm	-	129
19 mm	-	16 mm	2 mm	125
19 mm	-	19 mm	-	127
20 mm	-	20 mm	-	127

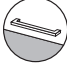

adapter available in various thicknesses

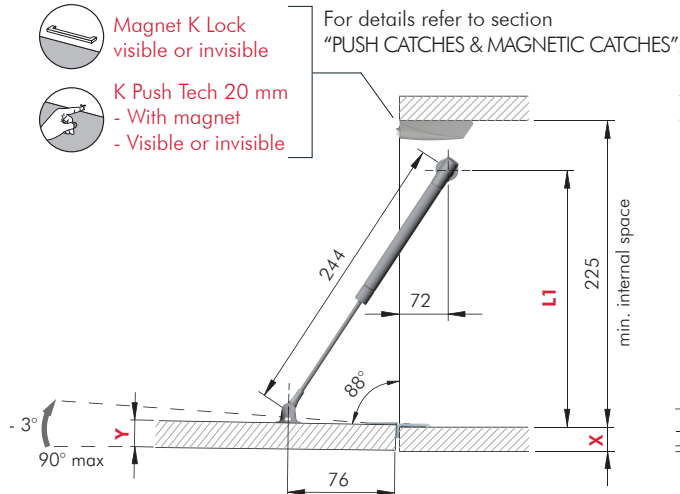


adapter available in various thicknesses

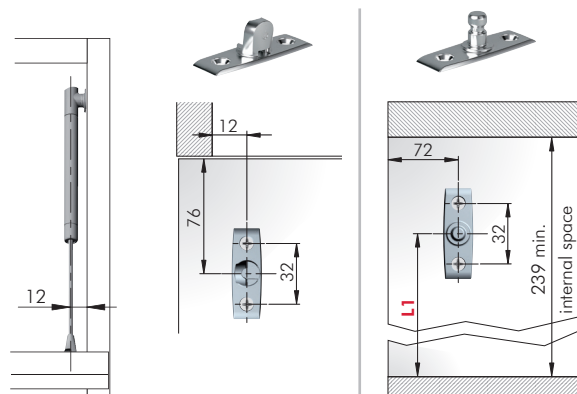
For Kimana and adapter details refer to section "HINGES".

### L 244 mm

-  Magnet K Lock  
visible or invisible
-  K Push Tech 20 mm  
- With magnet  
- Visible or invisible





### SCREW FIXING BRACKETS:



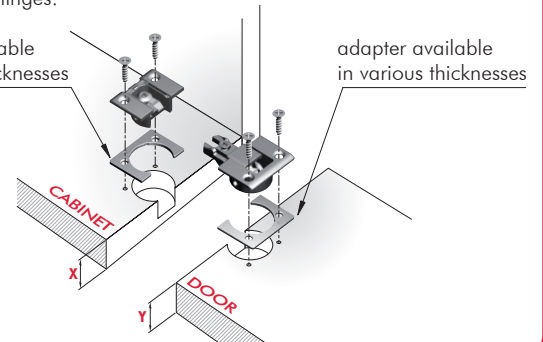
Bracket not available for K12 SYSTEM ADJ

**Opening angle adjustment** is possible only with K12 SYSTEM ADJ version.

⚠ Overcrossing 90° door opening angle, it negatively effects the Kimana hinges.

Cabinet (X)		Door (Y)		L1
16 mm	4 mm	16 mm	2 mm	208
16 mm	4 mm	19 mm	-	210
18 mm	2 mm	18 mm	-	208
19 mm	-	16 mm	2 mm	204
19 mm	-	19 mm	-	206
20 mm	-	20 mm	-	206

adapter available in various thicknesses



adapter available in various thicknesses

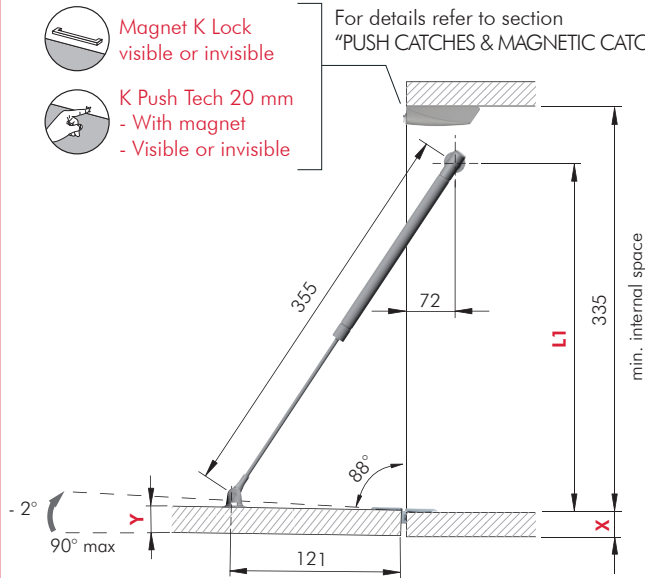
For Kimana and adapter details refer to section "HINGES".

L 355 mm

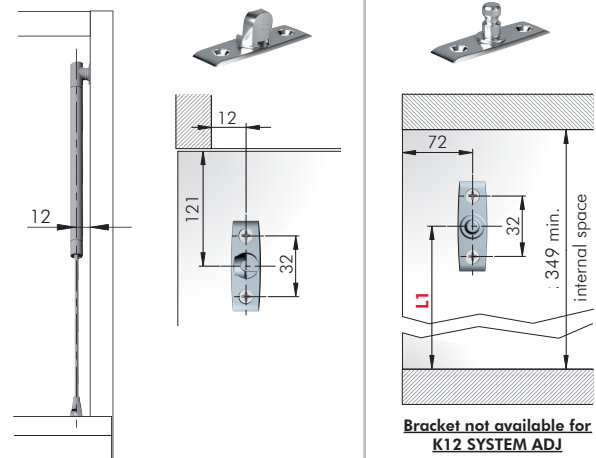
Magnet K Lock  
visible or invisible

K Push Tech 20 mm  
- With magnet  
- Visible or invisible

For details refer to section  
"PUSH CATCHES & MAGNETIC CATCHES".





### SCREW FIXING BRACKETS:



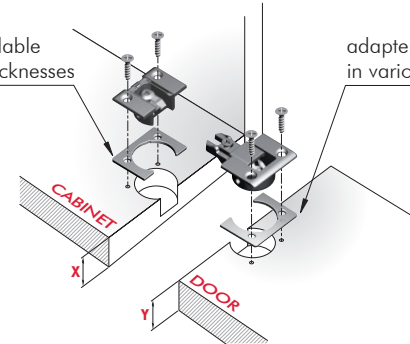
**Opening angle adjustment** is possible only with K12 SYSTEM ADJ version.

⚠ Overcrossing 90° door opening angle, it negatively effects the Kimana hinges.

Cabinet (X)		Door (Y)		L1
16 mm	4 mm	16 mm	2 mm	314
16 mm	4 mm	19 mm	-	316
18 mm	2 mm	18 mm	-	314
19 mm	-	16 mm	2 mm	310
19 mm	-	19 mm	-	312
20 mm	-	20 mm	-	312

adapter available  
in various thicknesses

adapter available  
in various thicknesses



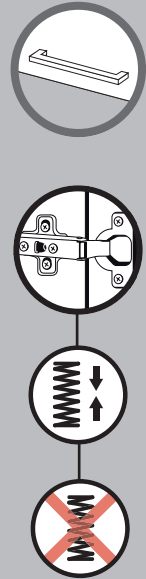
For Kimana and adapter details refer to section "HINGES".



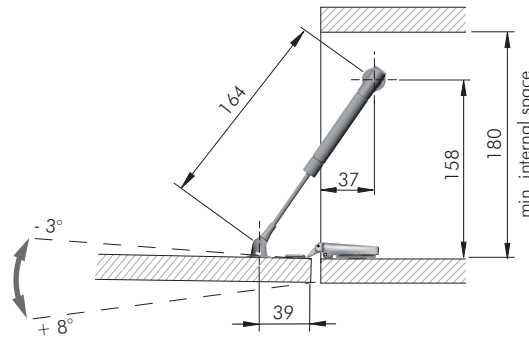
K12 SYSTEM CONFIGURATOR:



## DROP DOWN DRILLING PLANS WITH STANDARD HINGES OPENING WITH HANDLE

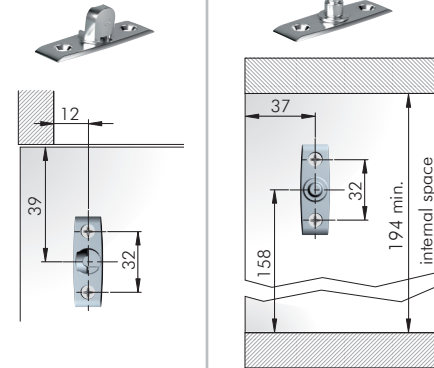


L 164 mm

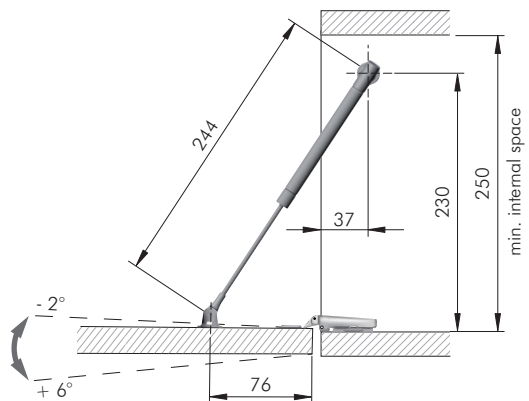


Opening angle adjustment is possible only with K12 SYSTEM ADJ version.

SCREW FIXING BRACKETS:

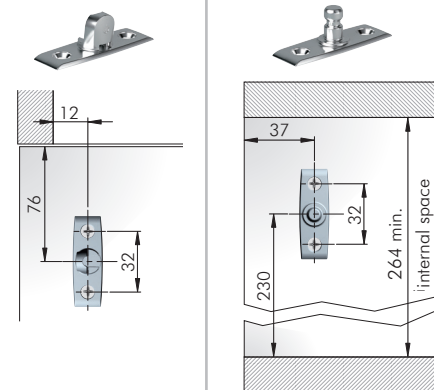


L 244 mm

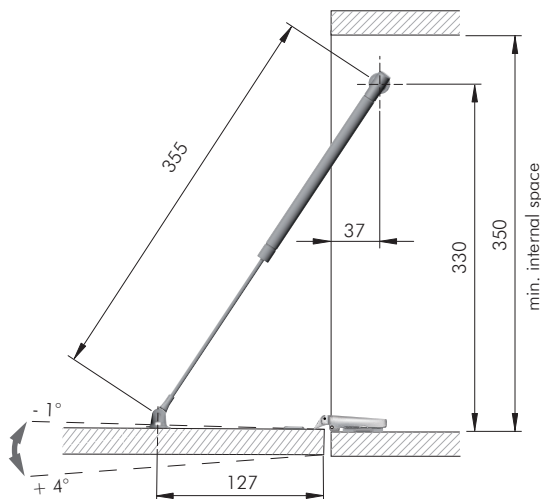


Opening angle adjustment is possible only with K12 SYSTEM ADJ version.

SCREW FIXING BRACKETS:

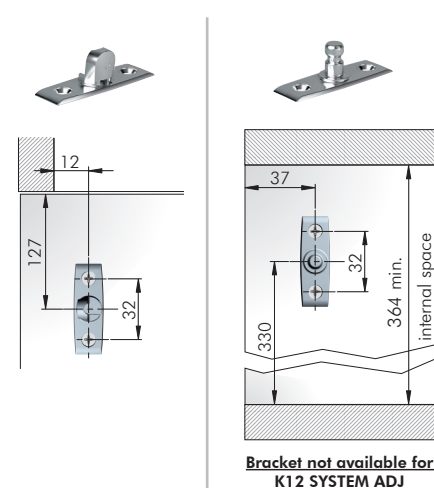


L 355 mm



Opening angle adjustment is possible only with K12 SYSTEM ADJ version.

SCREW FIXING BRACKETS:



The dimensions of the drilling plans refer to carcasses which use **standard sprung hinges** and mounting plates 0 mm. Please note that the opening angle varies with respect to the hinge brand and adjustment carried out.

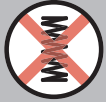
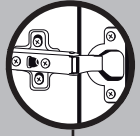


Please note that in case of use of **unsprung hinges**, **magnet K Lock** is required. For details refer to section "PUSH CATCHES & MAGNETIC CATCHES".

K12 SYSTEM CONFIGURATOR:



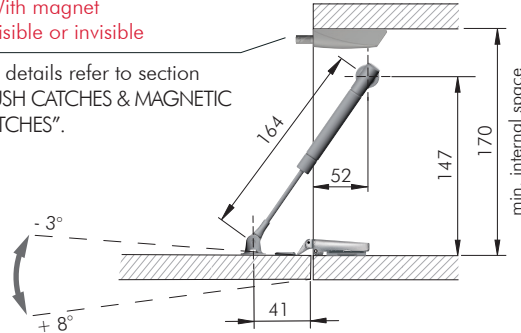
## DROP DOWN DRILLING PLANS WITH STANDARD HINGES PUSH TO OPEN



L 164 mm

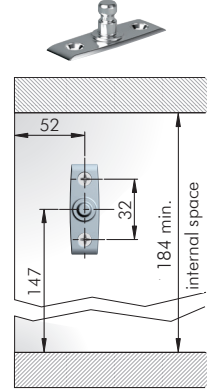
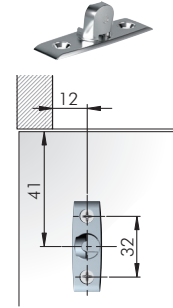
K Push Tech 14 mm  
- With magnet  
- Visible or invisible

For details refer to section "PUSH CATCHES & MAGNETIC CATCHES".



Opening angle adjustment is possible only with K12 SYSTEM ADJ version.

SCREW FIXING BRACKETS:

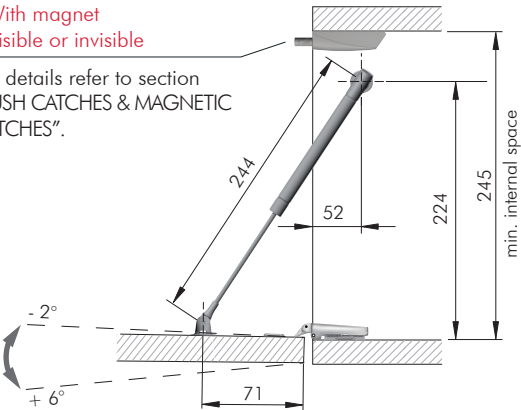


Bracket not available for K12 SYSTEM ADJ

L 244 mm

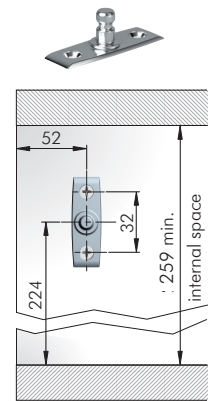
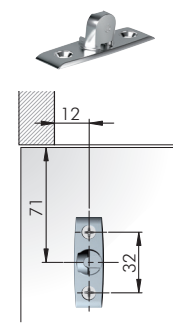
K Push Tech 14 mm  
- With magnet  
- Visible or invisible

For details refer to section "PUSH CATCHES & MAGNETIC CATCHES".



Opening angle adjustment is possible only with K12 SYSTEM ADJ version.

SCREW FIXING BRACKETS:

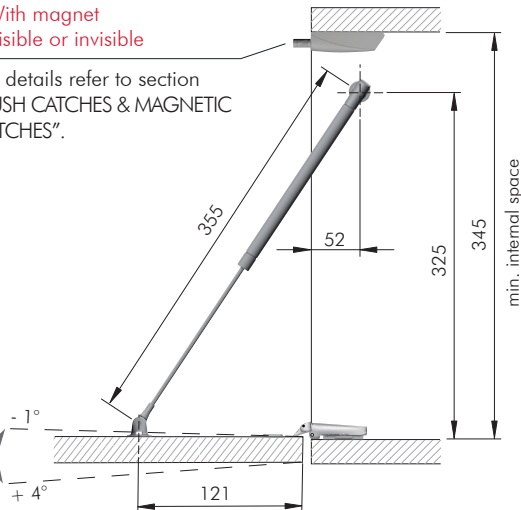


Bracket not available for K12 SYSTEM ADJ

L 355 mm

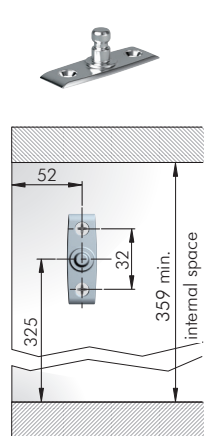
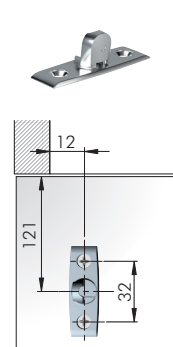
K Push Tech 14 mm  
- With magnet  
- Visible or invisible

For details refer to section "PUSH CATCHES & MAGNETIC CATCHES".



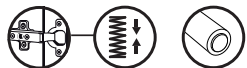
Opening angle adjustment is possible only with K12 SYSTEM ADJ version.

SCREW FIXING BRACKETS:



Bracket not available for K12 SYSTEM ADJ

The dimensions of the drilling plan refer to carcasses which use **standard unsprung hinges** and mounting plates 0 mm. Please note that the opening angle varies with respect to the hinge brand and adjustment carried out.



Please note that utilization with **standard sprung hinges** and **K Push Tech with buffer** is also possible. In such case, after the door is initially released by K Push Tech, a manual opening approx. 7cm is required (in order to win the spring resistance). Consequently, the door will automatically open to the fullest. For details refer to section "PUSH CATCHES & MAGNETIC CATCHES".



## DROP DOWN DRILLING PLANS WITH FLAP HINGE

K12 SYSTEM CONFIGURATOR:



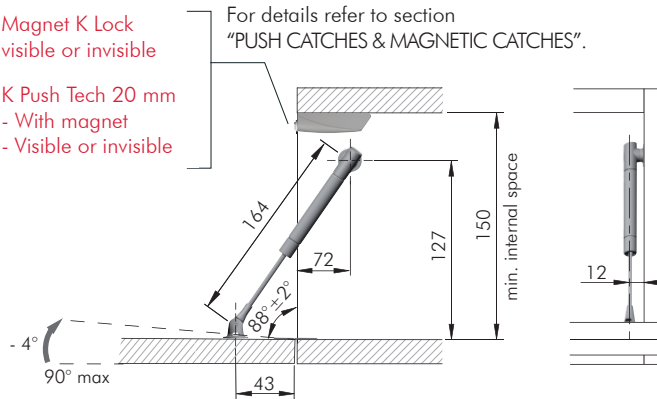
### L 164 mm



Magnet K Lock  
visible or invisible



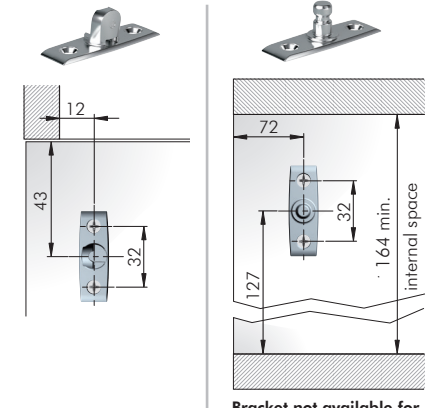
K Push Tech 20 mm  
- With magnet  
- Visible or invisible



**Opening angle adjustment** is possible only with K12 SYSTEM ADJ version.

⚠ Overcrossing 90° door opening angle, it negatively effects the flap hinges.

### SCREW FIXING BRACKETS:



Bracket not available for K12 SYSTEM ADJ

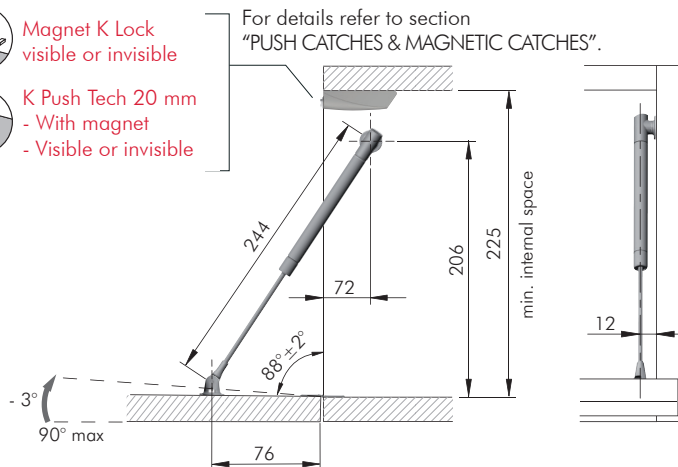
### L 244 mm



Magnet K Lock  
visible or invisible



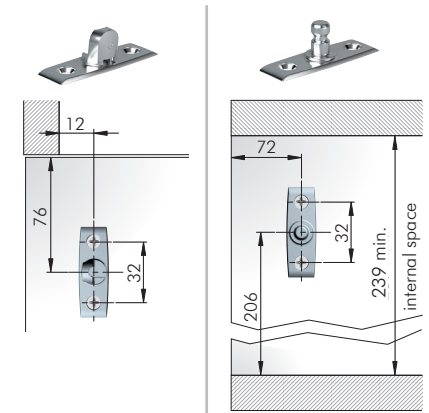
K Push Tech 20 mm  
- With magnet  
- Visible or invisible



**Opening angle adjustment** is possible only with K12 SYSTEM ADJ version.

⚠ Overcrossing 90° door opening angle, it negatively effects the flap hinges.

### SCREW FIXING BRACKETS:



Bracket not available for K12 SYSTEM ADJ

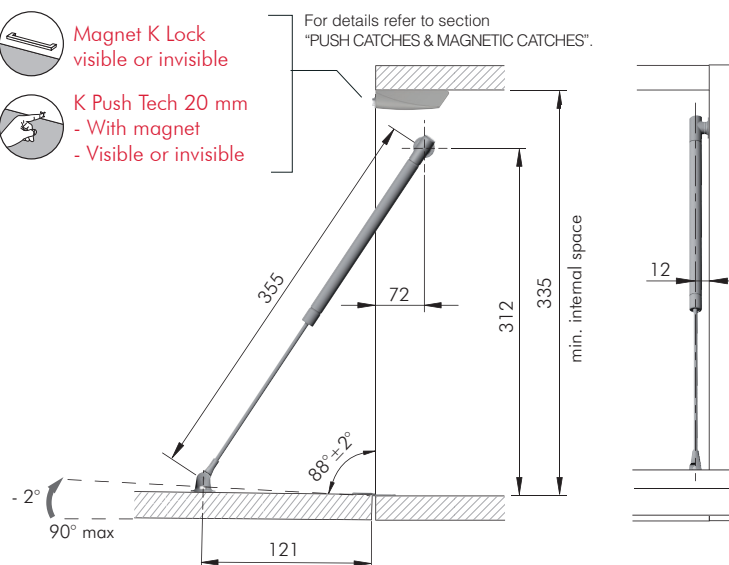
### L 355 mm



Magnet K Lock  
visible or invisible



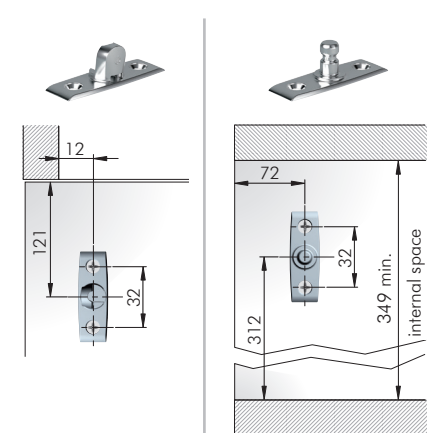
K Push Tech 20 mm  
- With magnet  
- Visible or invisible



**Opening angle adjustment** is possible only with K12 SYSTEM ADJ version.

⚠ Overcrossing 90° door opening angle, it negatively effects the flap hinges.

### SCREW FIXING BRACKETS:

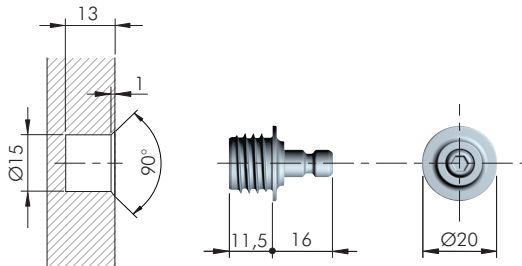


Bracket not available for K12 SYSTEM ADJ

The dimensions of the drilling plan refer to carcasses which use flap hinges.

## DRILLING PLANS FOR BRACKETS

### SIDE BRACKET Ø15 - K12 SYSTEM



= Ø 15 mm

ZA



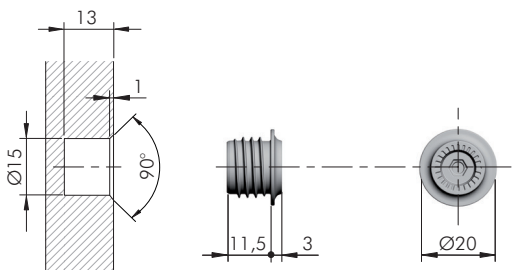
= 50 pcs.



**48040120YA**

**48040120HX**

### SIDE BRACKET Ø15 - K12 SYSTEM ADJ



= Ø 15 mm

ZA



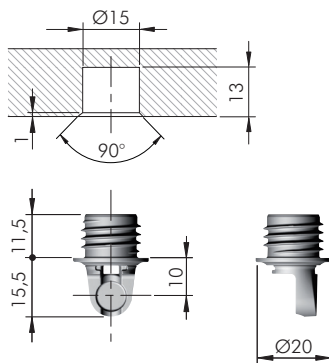
= 50 pcs.



**48240120YA**

8

### DOOR BRACKET Ø15



= Ø 15 mm

ZA



= 50 pcs.



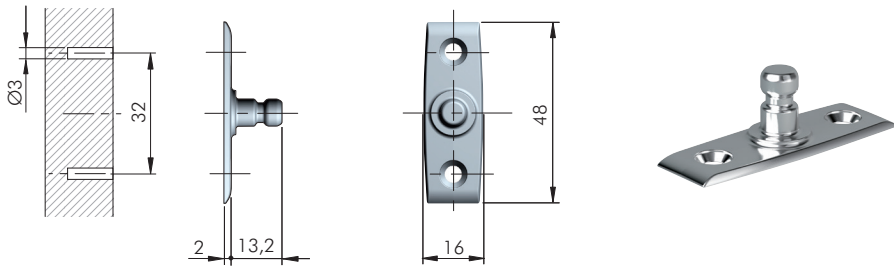
**48040160YA**

**48040160HX**



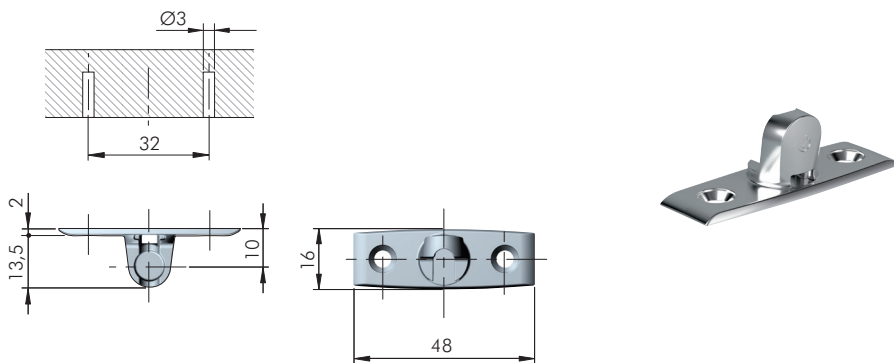


## SCREW FIXING SIDE BRACKET (Not for K12 SYSTEM ADJ)



= Ø 3 mm	= 50 pcs.
ZA	
<b>48080120YA</b>	
<b>48080120HX</b>	

## SCREW FIXING DOOR BRACKET



= Ø 3 mm	= 50 pcs.
ZA	
<b>48080100YA</b>	
<b>48080100HX</b>	

8

## SCREW FIXING BRACKETS ACCESSORY



= Ø 3 mm	
= PZ2	
ST	= 10.000 pcs.
<b>60101390YA</b>	
<b>60101390HX</b>	

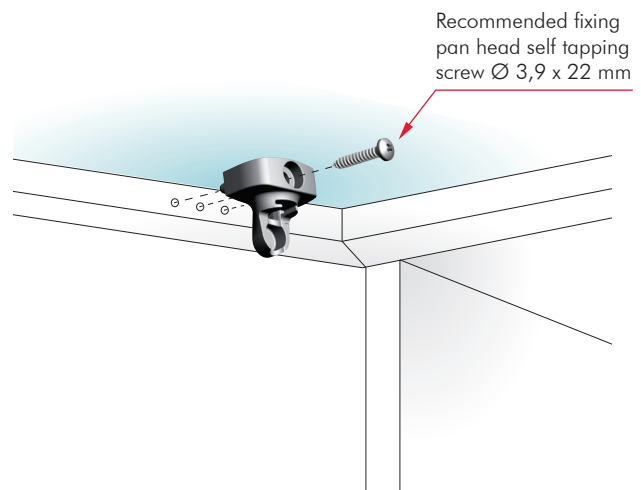
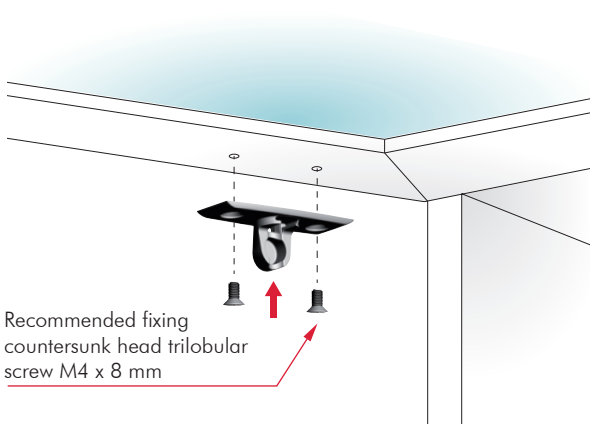
## ADAPTERS FOR ALUMINIUM FRAME DOOR



INSTALLATION ON WIDER ALUMINIUM FRAME DOOR

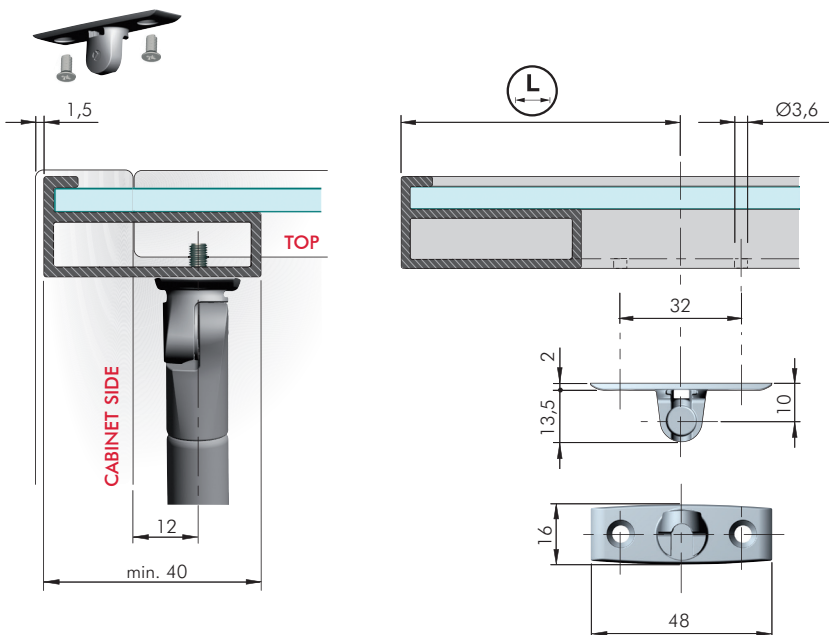


INSTALLATION ON NARROW ALUMINIUM FRAME DOOR



8

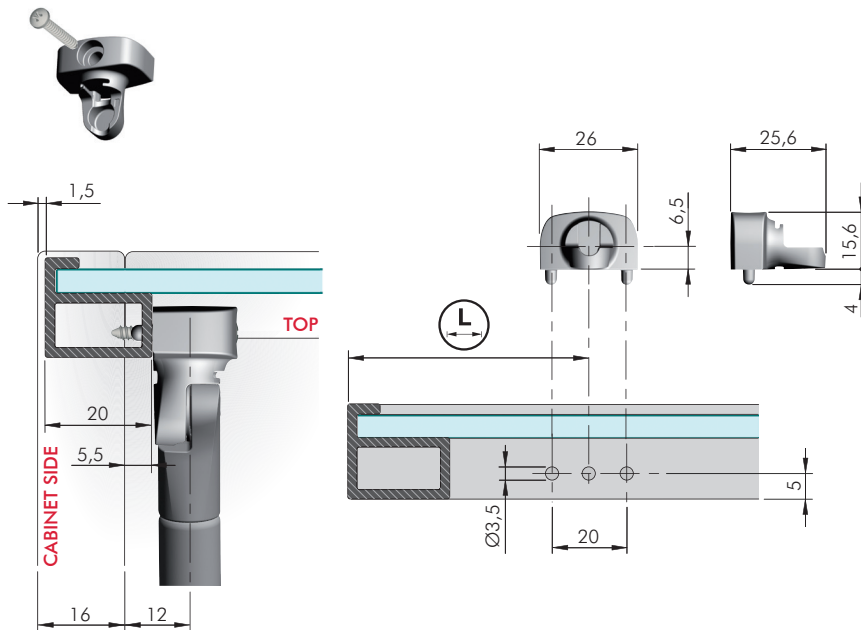
### WIDER ALUMINIUM FRAME DOOR (40 mm min.)



	= Ø 3,6 mm		= 50 pcs.
<b>48080100YA</b>			

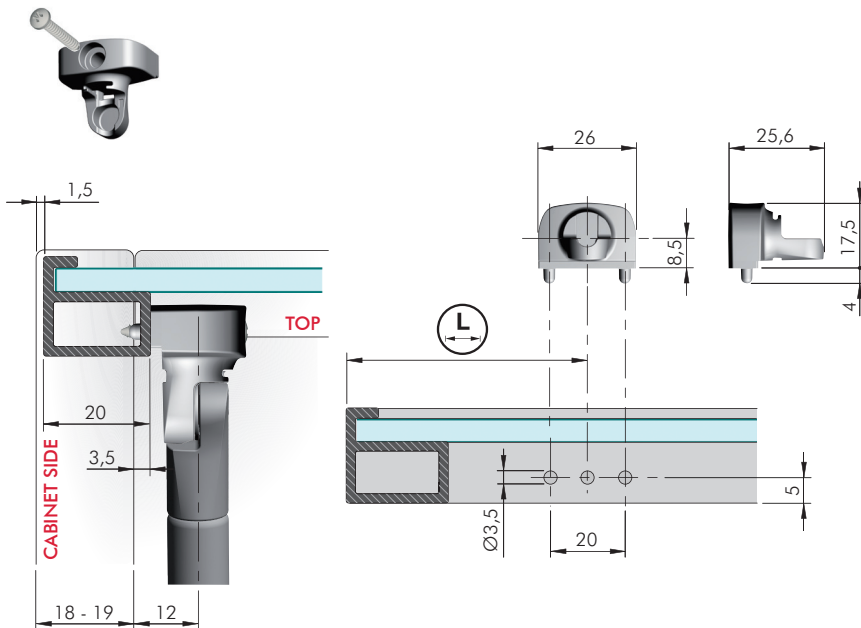


## NARROW ALUMINIUM FRAME DOOR (20 mm) WITH SIDE PANEL THICKNESS 16 mm

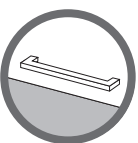


= Ø 3,5 mm  
 = on request  
 123   
**48080140YA**

## NARROW ALUMINIUM FRAME DOOR (20 mm) WITH SIDE PANEL THICKNESS 18 mm



= Ø 3,5 mm  
 = on request  
 123   
**48080150YA**



K12 System & K12 System ADJ	
164	39
244	76
355	127



K12 System & K12 System ADJ	
164	41
244	71
355	121

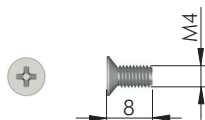


K12 System & K12 System ADJ	
164	43
244	76
355	121

For details refer to related sections.



## ALUMINIUM ADAPTERS FIXING ACCESSORIES



= PZ2

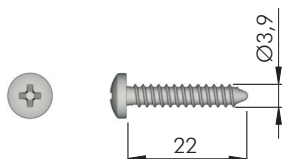
ST



= on request



42906010YA



= PZ2

ST



= on request



60203390YA