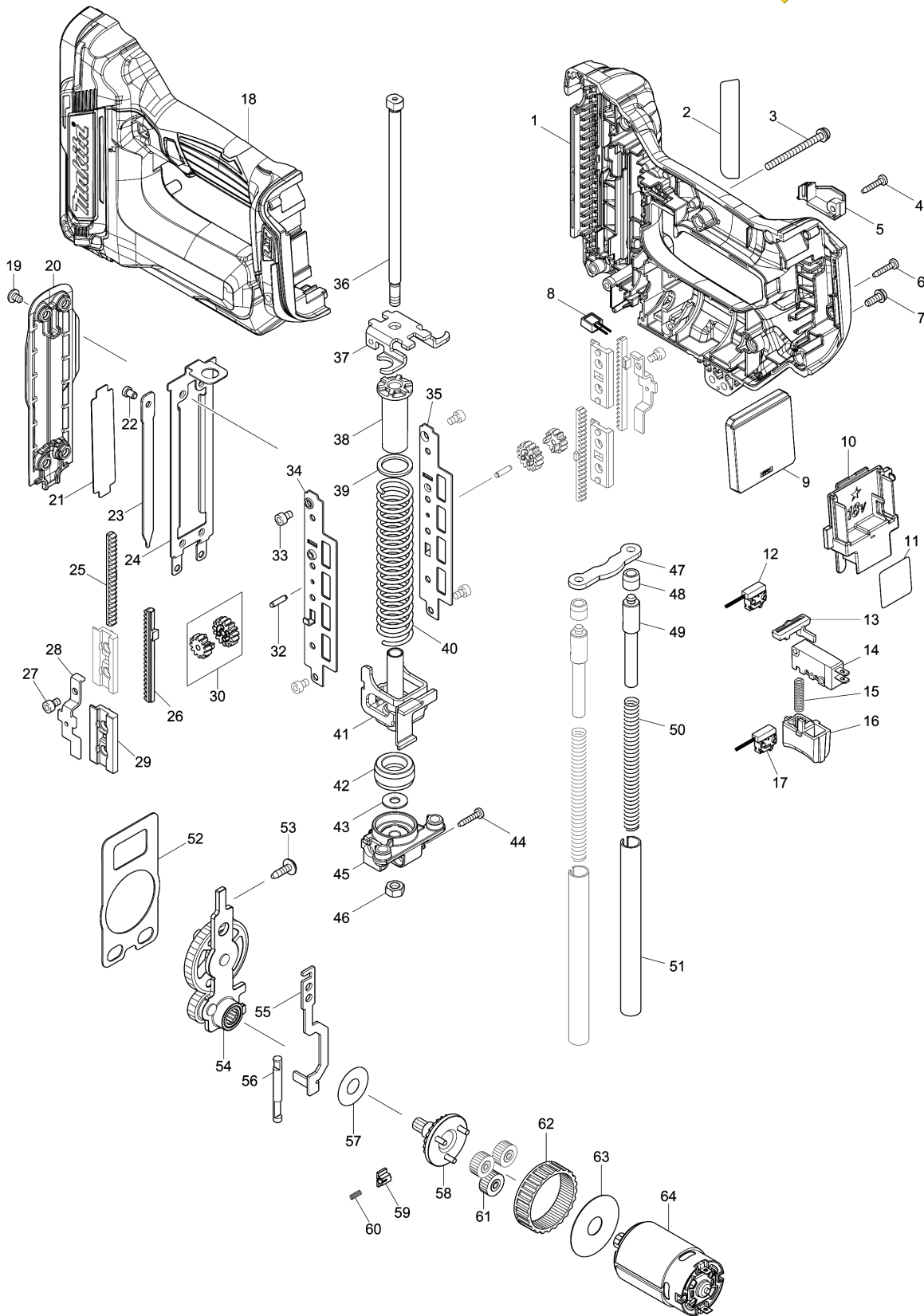
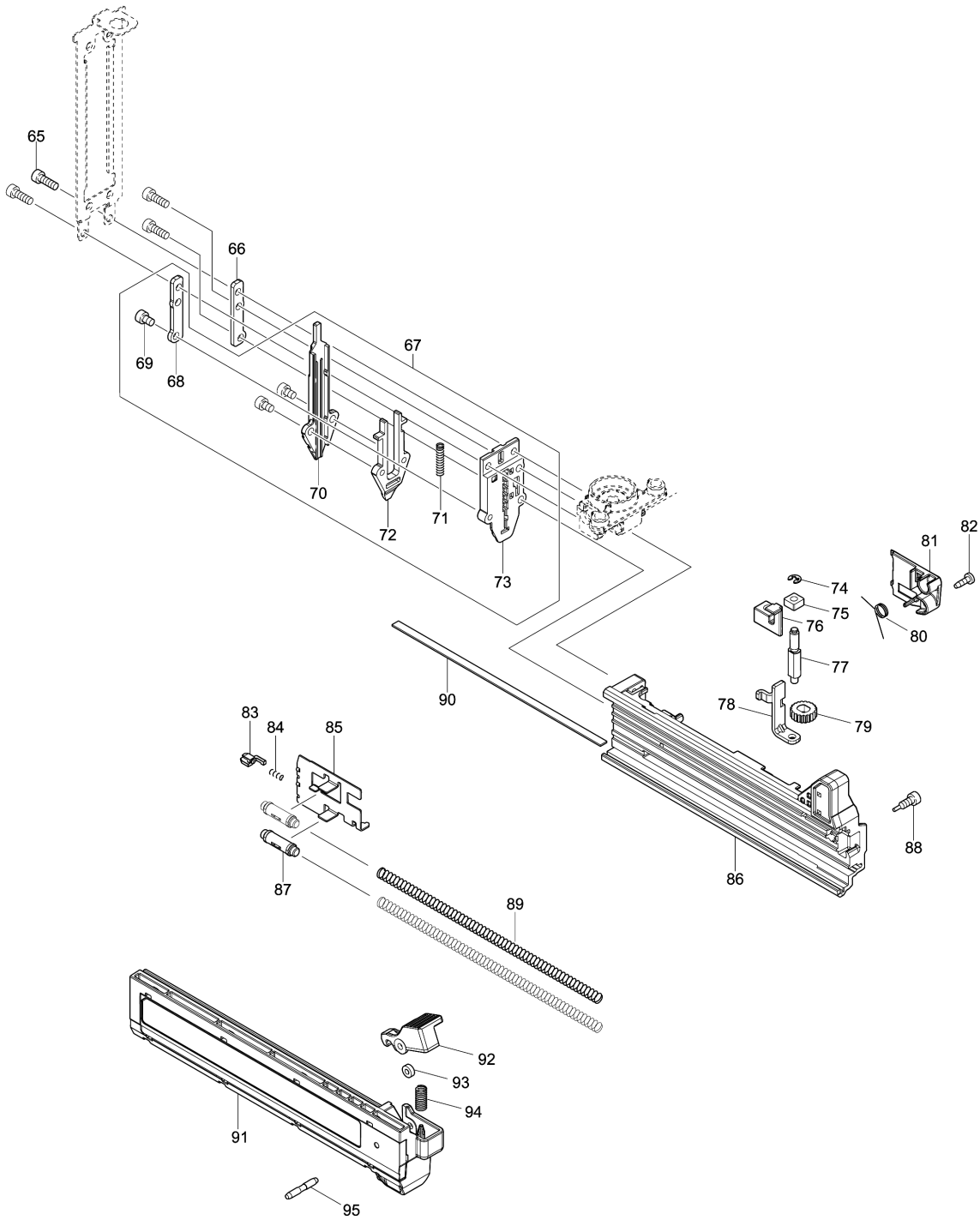


Model No.DFN350 35MM CORDLESS BRAD NAILER



Model No.DFN350 35MM CORDLESS BRAD NAILER



## Model No.DFN350 35MM CORDLESS BRAD NAILER

Position	Référence pièce	Description	Echange	QTE	New/Old	Option 1	Option 2	COMMENTAIRE
001	183L67-6	HOUSING SET		1				
C10	263005-3	RUBBER PIN 6		2		65	P2	
C20	252126-6	HEX. LOCKING NUT M4-7		2		65	P2	
C30	931102-0	HEX. NUT M4		1		0	P1	
D10		INC. 18						
002	855T69-7	DFN350 NAME PLATE		1				
003	911173-3	PAN HEAD SCREW M4X45		1		0	P1	
004	266130-9	TAPPING SCREW BIND PT 3X16		1		0	P1	
005	457385-9	HOUSING R COVER		1			P67	
006	266130-9	TAPPING SCREW BIND PT 3X16		8	*	0	P1	
006-1	266130-9	TAPPING SCREW BIND PT 3X16	<	7		0	P1	
007	911118-1	PAN HEAD SCREW M4X12		2		0	P1	
008	620507-6	LED CIRCUIT		1			P10	
009	632N38-7	CONTROLLER UNIT		1				
010	643860-3	TERMINAL		1		1	P5	
011	855T76-0	DFN350 SERIAL NO. LABEL		1				
012	632G60-2	SWITCH UNIT		1			P13	
013	456799-9	TRIGGER LOCK		1			P3	
014	651910-0	SWITCH D2VW-01-3HS		1			P10	
015	232370-1	COMPRESSION SPRING 5		1			P1	
016	457386-7	TRIGGER		1			P67	
017	632K06-2	SWITCH UNIT		1			P15	
018	183L67-6	HOUSING SET		1				
C10	263005-3	RUBBER PIN 6		2		65	P2	
C20	252126-6	HEX. LOCKING NUT M4-7		2		65	P2	
C30	931102-0	HEX. NUT M4		1		0	P1	
D10		INC. 1						
019	915101-0	BINDING HEAD SCREW M4X6		4			P1	
020	459369-3	FRONT COVER		1				
021	347528-0	UPPER PLATE		1				
022	256882-0	FLAT FILLISTER HD. PIN 4		1				
023	347519-1	DRIVER		1				
024	347521-4	RAIL		1				
025	310924-5	COUNTER WEIGHT A		2				
026	310925-3	COUNTER WEIGHT B		2				
027	251566-5	H.S.H BOLT M4X6 WITH W		2			P1	
028	347146-4	PINION GUIDE		2			P99	
029	457390-6	COUNTER WEIGHT HOLDER		4			P1	
030	136104-3	SPUR GEAR ASSEMBLY		2				
032	326902-5	PINION SHAFT		2			P1	
033	266199-3	HEX.SOCKET HEAD BOLT M4X6		4		0	P1	
034	347145-6	GUIDE RAIL R		1			P99	
035	347144-8	GUIDE RAIL L		1			P99	
036	326903-3	GUIDE BOLT		1			P3	
037	347526-4	BOTTOM PLATE		1				
038	459311-4	SPRING HOLDER		1				

Please order the parts with part number.

Print Date 21/8/2019

## Model No.DFN350 35MM CORDLESS BRAD NAILER

Position	Référence pièce	Description	Echange	QTE	New/Old	Option 1	Option 2	COMMENTAIRE
039	347522-2	SPRING BASE		1				
040	232511-9	COMPRESSION SPRING 17		1				
041	347524-8	HAMMER		1	*			
041-1	347657-9	HAMMER	<	1				
042	422457-9	CUSHION		1				
043	253804-1	FLAT WASHER 6		1		65	P2	
044	266130-9	TAPPING SCREW BIND PT 3X16		1		0	P1	
045	319824-6	HOLDER		1				
046	252273-3	HEX. NUT M6		1				
047	347527-2	COUNTER STOPPER		1				
048	422456-1	COUNTER CUSHION		2				
049	326904-1	WEIGHT		2			P4	
050	232363-8	COMPRESSION SPRING 7		2			P1	
051	327328-4	GUIDE PIPE		2				
052	347525-6	GEAR PLATE		1				
053	266901-4	TAPPING SCREW 4X14		1			P1	
054	140K45-3	SPUR GEAR 61 COMPLETE		1				
055	347139-1	LOCK ARM		1			P99	
056	327327-6	LOCK PIN		1				
057	253353-8	THIN WASHER 10		1				
058	140K48-7	SPUR GEAR 8 COMPLETE		1				
059	310945-7	LOCK BLOCK		1				
060	232513-5	COMPRESSION SPRING 3		1				
061	221961-3	SPUR GEAR 27		3		2	P10	
062	227166-3	INTERNAL GEAR 69		1		1	P4	
063	267053-4	FLAT WASHER 12		1		0	P3	
064	629408-5	DC MOTOR		1				
065	922117-8	HEX. SOCKET HEAD BOLT M4X12		4		0	P1	
066	347523-0	PLATE		1				
067	127291-9	DRIVER GUIDE ASSEMBLY		1				
D10		INC. 68-73						
068	347523-0	PLATE		1				
069	922102-1	HEX. SOCKET HEAD BOLT M4X6		3		0	P1	
070	310942-3	DRIVER GUIDE		1				
071	232512-7	COMPRESSION SPRING 3		1				
072	310943-1	CENTER PLATE		1				
073	310941-5	SET PLATE		1				
074	961017-7	STOP RING E-3		1		0	P1	
075	264050-1	SQUARE NUT M5-8		1	*	0	P1	
075-1	264050-1	SQUARE NUT M5-8	S	1		0	P1	
076	459309-1	CONTACT ARM		1	*			
076-1	412237-1	CONTACT ARM	<	1				
077	327326-8	ADJUSTER SHAFT		1				
078	347529-8	ARM		1				
079	459310-6	ADJUSTER		1				
080	232514-3	TORSION SPRING 7		1				

Please order the parts with part number.

Print Date 21/8/2019

## Model No.DFN350 35MM CORDLESS BRAD NAILER

Position	Référence pièce	Description	Echange	QTE	New/Old	Option 1	Option 2	COMMENTAIRE
081	459312-2	ADJUSTER COVER		1				
082	266007-8	TAPPING SCREW BIND PT 3X10		1		0	P1	
083	310176-8	STOPPER		1		1	P4	
084	233018-8	COMPRESSION SPRING 3		1		0	P1	
085	347520-6	PUSHER		1				
086	459305-9	MAGAZINE		1				
087	459313-0	SLEEVE		2				
088	265A52-6	HEX SOCKET HEAD BOLT M4X14		1				
089	234325-2	COMPRESSION SPRING 6		2			P3	
090	346774-2	NAIL PLATE		1			P1	
091	140K97-4	SLIDE DOOR COMPLETE		1				
092	457388-3	LEVER		1			P67	
093	262054-7	URETHANE RING 3		1		0	P1	
094	233117-6	COMPRESSION SPRING 6		1		0	P1	
095	256877-3	PIN 3		1				
096	253334-2	THIN WASHER 5		1		0	P1	
A02	251314-2	+ SCREW M4X12		1		0	P1	
A03	346317-0	HOOK		1		0	A3	
A04	422464-2	NOSE ADAPTER		1				
A05	783201-2	HEX. WRENCH 3		1		1	A5	
A06B	821550-0	CONNECTOR PLASTIC CASE (TYPE2)		1		8	A28	
C10	453974-8	LATCH		4		0	P1	
A07B	819M62-3	DFN350RTJ PLASTIC CASE LABEL		2				
A08B	***DC18RC	DC18RC FAST CHARGER		1			A42	
D10		COMPO-PARTS						
A09B	197280-8	BATTERY BL1850B SET		2	*		A45	
A09-1B	197280-8	BATTERY BL1850B SET	O	2			A45	
A10B	450128-8	BATTERY COVER		1		0	P1	
A11B	835B51-4	INNER TRAY		1				
A12B	819M63-1	DFN350RTJ INDICATION LABEL		1				

Please order the parts with part number.

Print Date 21/8/2019