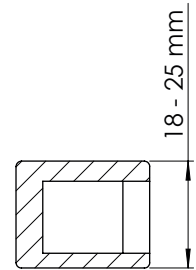
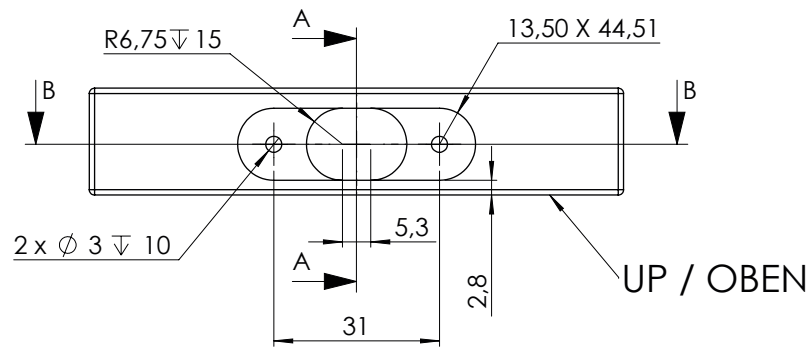
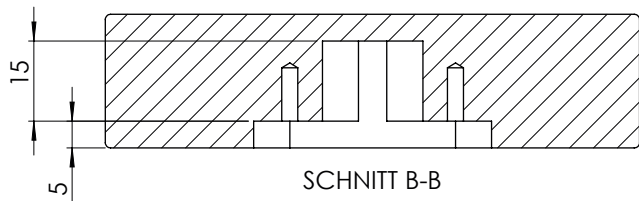
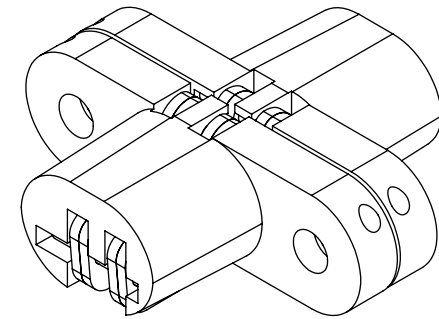


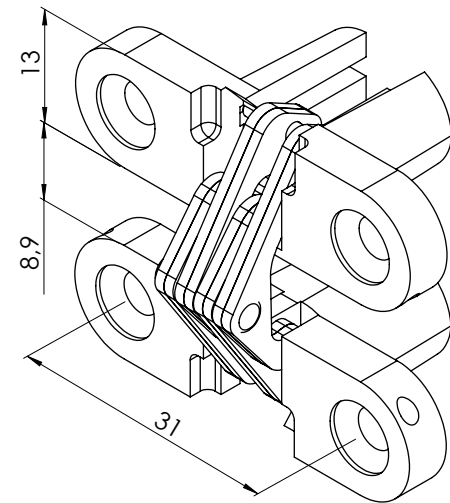
All property rights and rights to exploitation of copyright for this drawing data remain ours; they may not be made available to third parties without our consent.

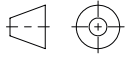



SCHNITT A-A



SCHNITT B-B



Index	Change			Date	Name
 DIN ISO 128-30	Description: Frässhablone für Scharnier 15852				
	Surface:		Material:		Weight: kg
	Name	Date	Company		
	Signed D.Carrera	04.02.2015	Second Company:		
General tolerance: DIN ISO 2768 -1		Item No: 2015-030-006	Scale 1:1	Page 1/1	A3

