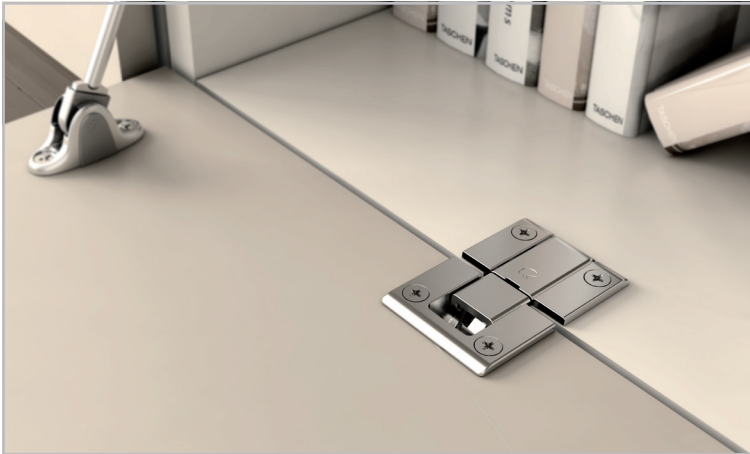
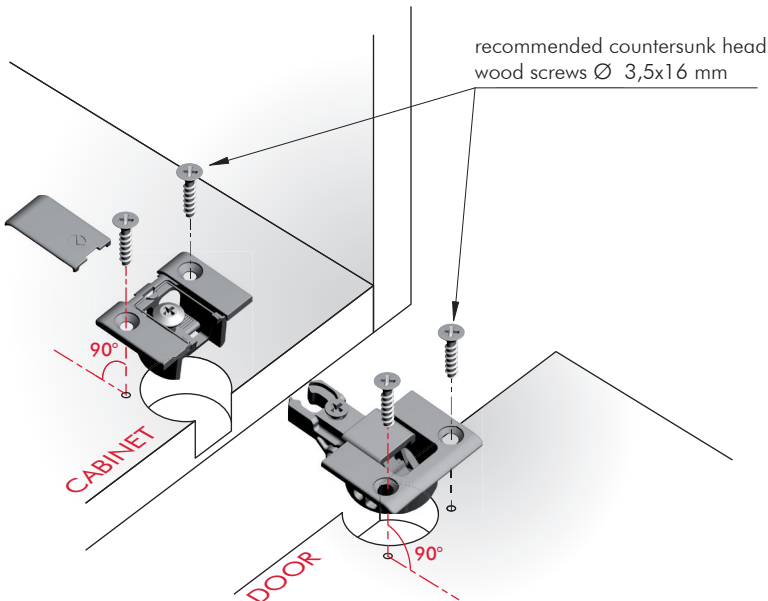




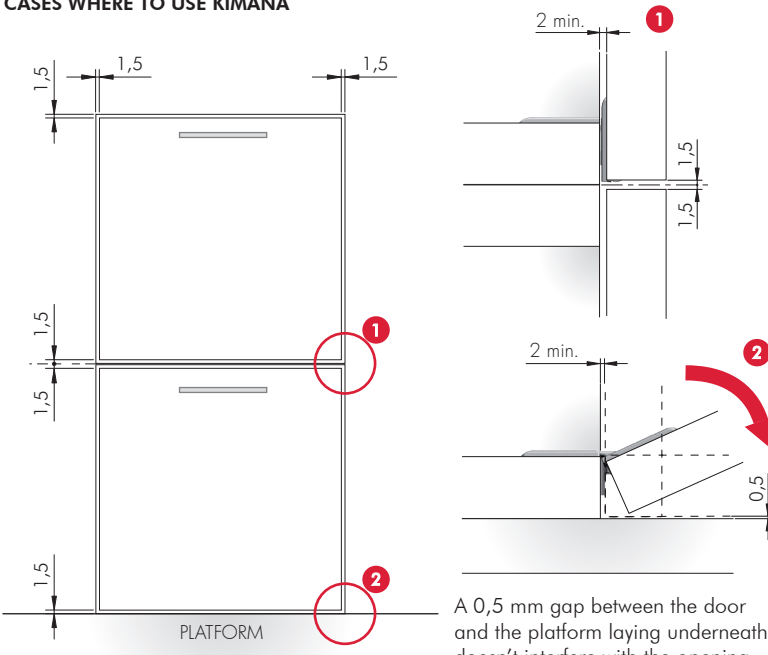
**KIMANA**



**INSTALLATION ON UNIT WITH SOLID DOOR**  
(Application shown for minimum thickness 18 mm)



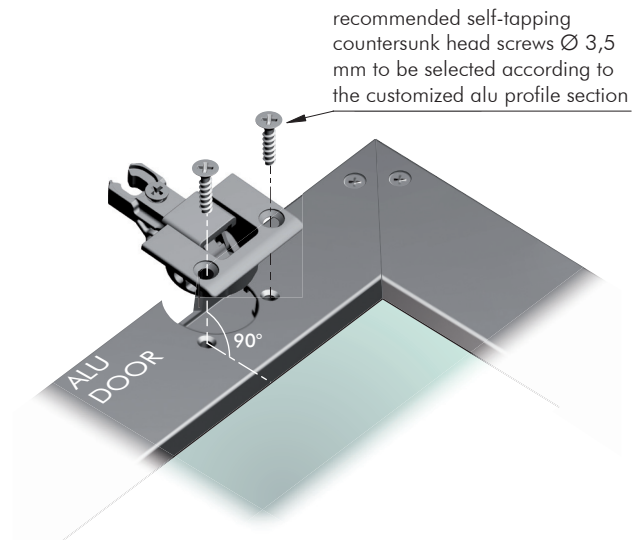
**CASES WHERE TO USE KIMANA**



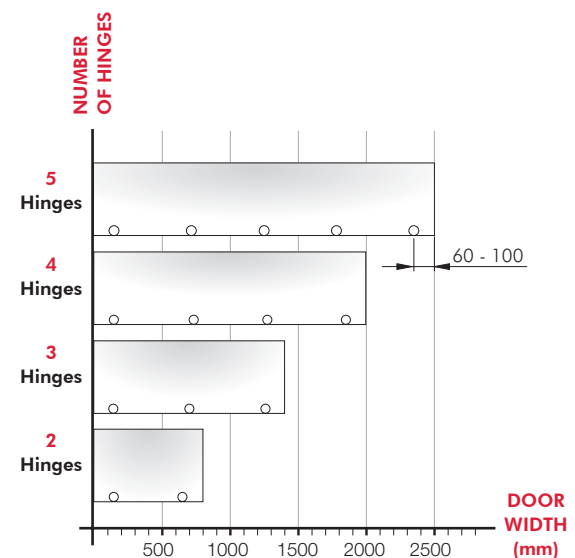
GOOD DESIGN AWARD, 2012

PAT. PENDING REGISTERED DESIGN

**INSTALLATION ON UNIT WITH ALUMINIUM DOOR**  
(Application shown for minimum thickness 18 mm)

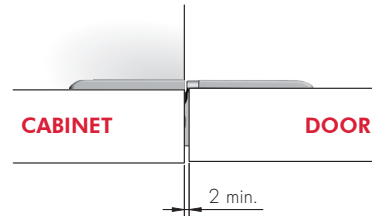
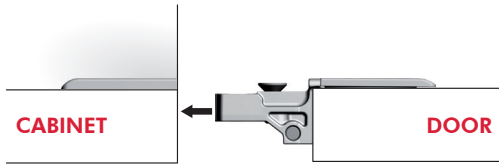


**RECOMMENDED NUMBER OF KIMANA PER DOOR**



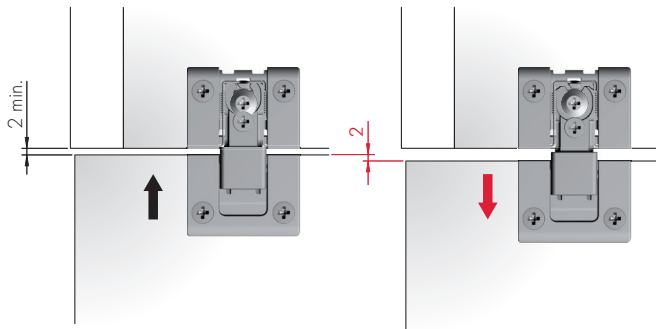
Due to various factors, the quantities stated in the chart are indicative.

## DOOR INSTALLATION



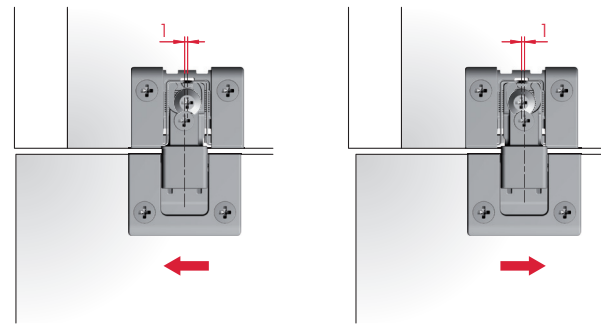
### IN-DEPTH ADJUSTMENT 0+2 mm

⚠ TO BE MADE BEFORE LOCKING SCREW OPERATION ⚠



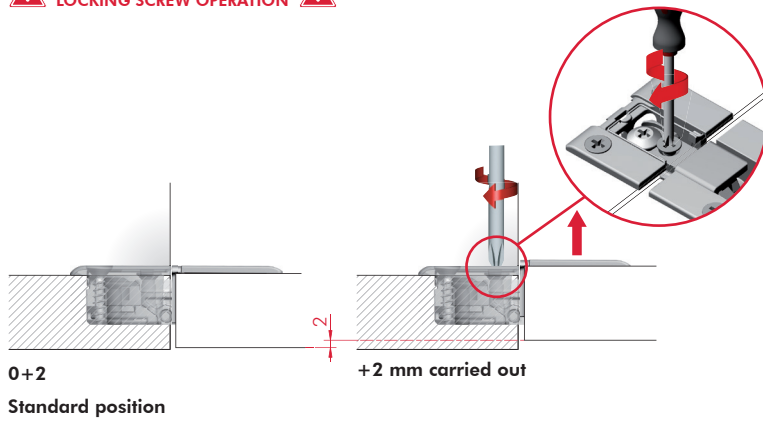
### LATERAL ADJUSTMENT 0±1 mm

⚠ TO BE MADE BEFORE LOCKING SCREW OPERATION ⚠

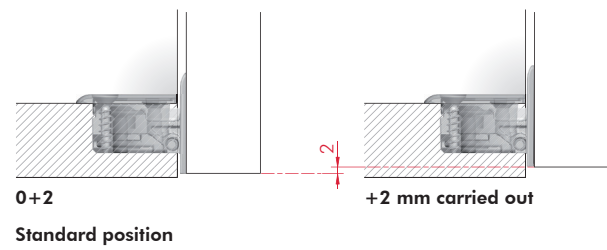


### VERTICAL ADJUSTMENT 0+2 mm - DOOR OPEN

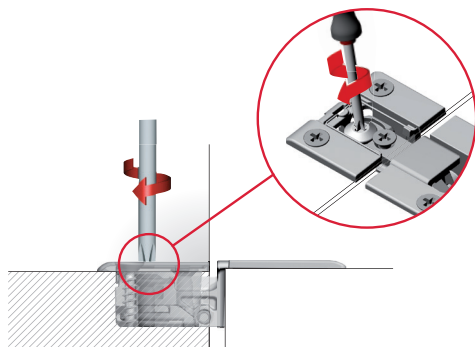
⚠ TO BE MADE BEFORE LOCKING SCREW OPERATION ⚠



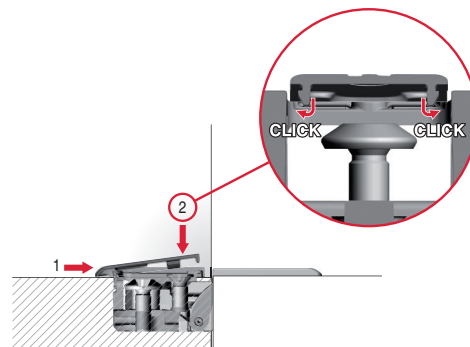
### VERTICAL ADJUSTMENT 0+2 mm - DOOR CLOSED



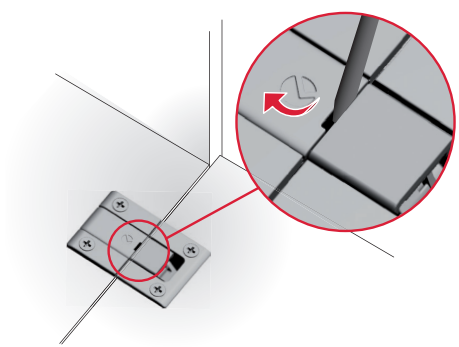
### LOCKING SCREW

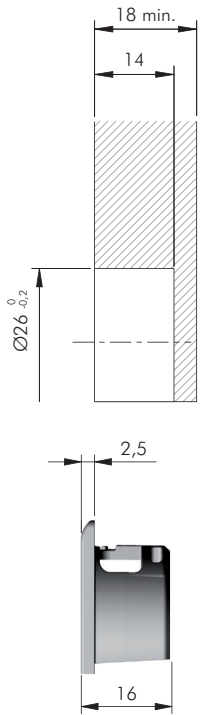


### COVER CAP INSERTION

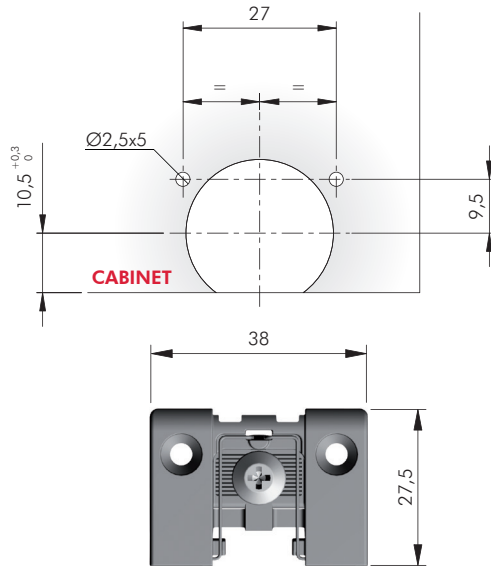


### COVER CAP REMOVAL

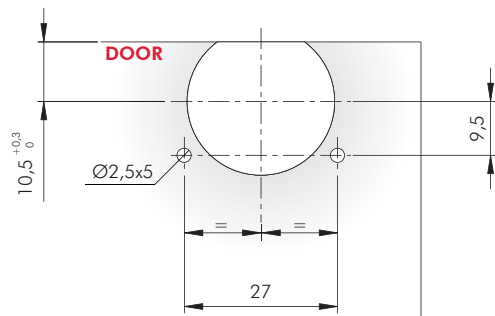
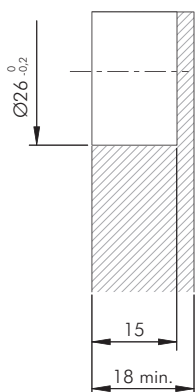
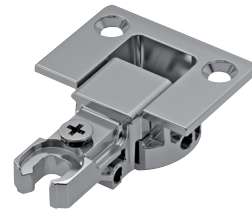
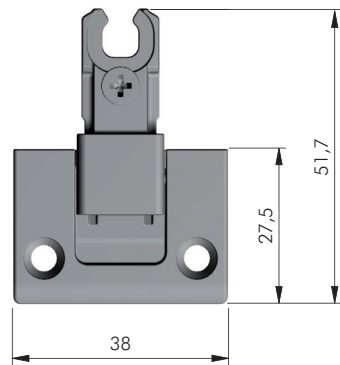




NOTE: For panel thickness lower than 18 mm, refer to "KIMANA ADAPTERS".

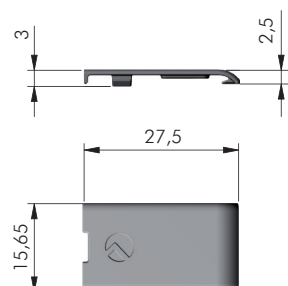


	ZA ST	= 150 pcs.
40120000YA		
40120000HX		
40120000YQ		



NOTE: For panel thickness lower than 18 mm, refer to "KIMANA ADAPTERS".

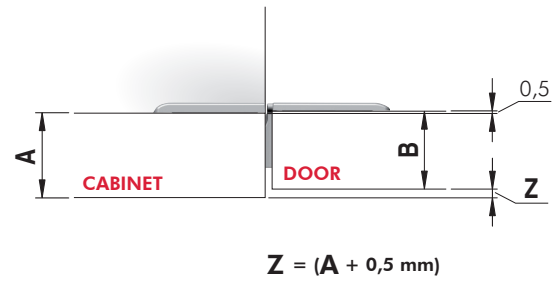
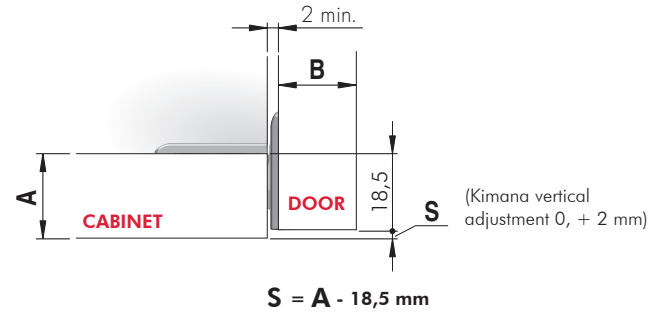
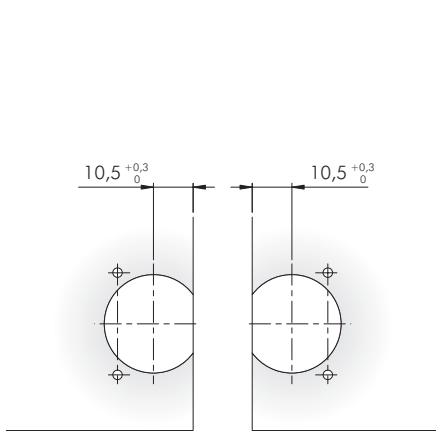
	ZA ST	= 150 pcs.
40120010YA		
40120010HX		
40120010YQ		



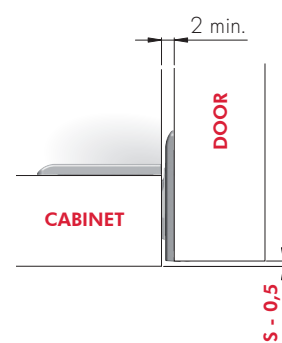
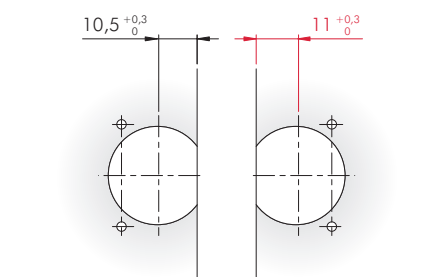
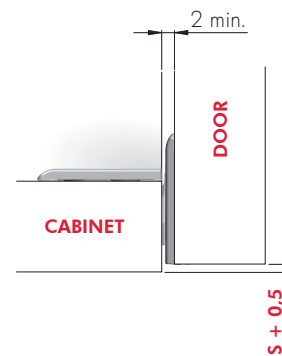
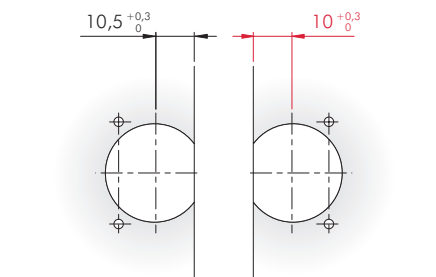
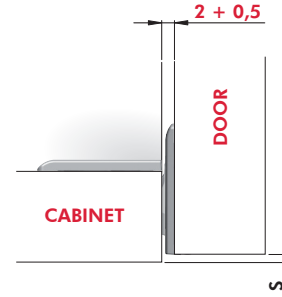
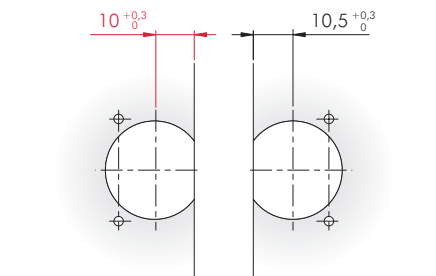
ZA	= 150 pcs.
40120040YA	
40120040HX	
40120040YQ	



## STANDARD CONDITION



## SPECIAL DRILLING PLAN TO MANAGE OVERLAY AND GAP BETWEEN DOOR AND CABINET

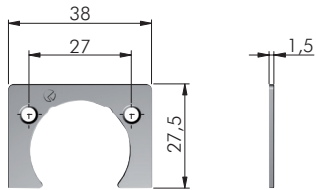
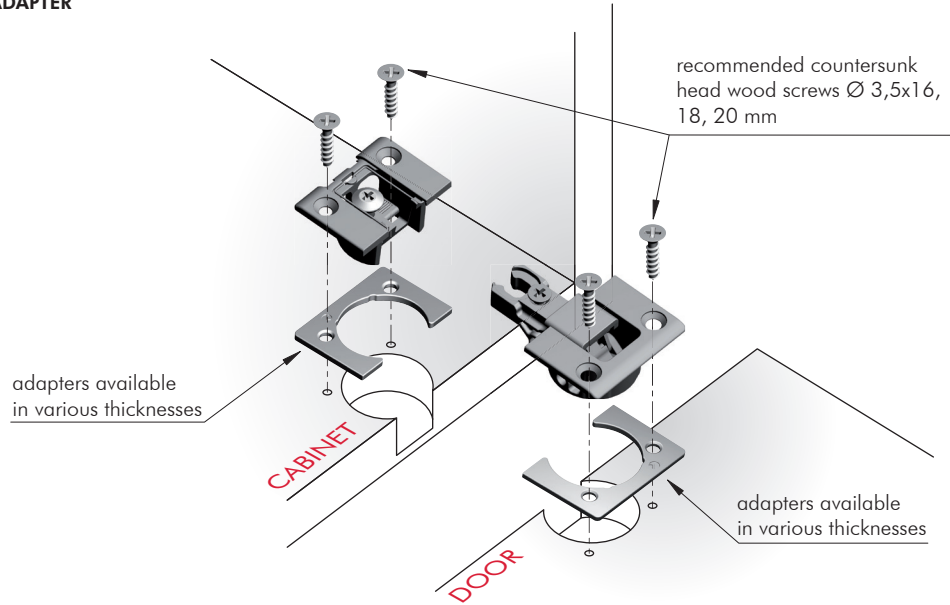




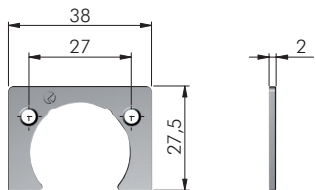


## KIMANA ADAPTERS

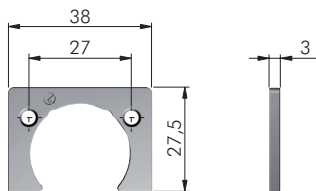
### INSTALLATION WITH ADAPTER



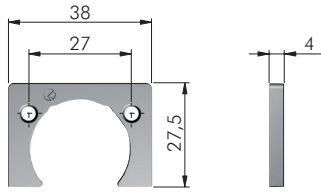
ZA	= on request
123	
<b>40115320YA</b>	



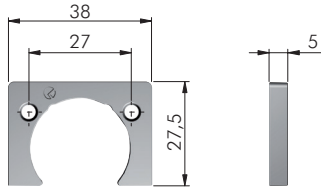
ZA	= on request
123	
<b>40115340YA</b>	
<b>40115340HX</b>	
<b>40115340YQ</b>	



ZA	= on request
123	
<b>40115360YA</b>	

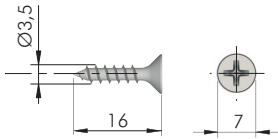


ZA	= on request
123	
<b>40115400YA</b>	



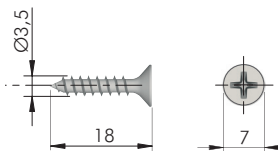
ZA	= on request
123	
<b>40115440YA</b>	

## FIXING ACCESSORY FOR BOTH KIMANA AND ADAPTERS PART NO. 40115320



= Ø 2,5 mm	
= PZ2	
ST	= 10.000 pcs.
123	
<b>60101390YA</b>	
<b>60101390HX</b>	
<b>60101390WI</b>	

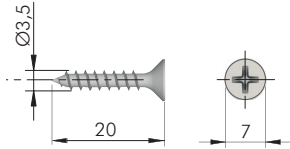
## FIXING ACCESSORY FOR KIMANA ADAPTERS PART NO. 40115340 - 40115360



= Ø 2,5 mm	
= PZ2	
ST	= 10.000 pcs.
123	
<b>60101400YA</b>	
<b>60101400HX</b>	
<b>60101400WI</b>	



## FIXING ACCESSORY FOR KIMANA ADAPTER PART NO. 40115400 - 40115440



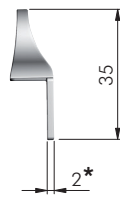
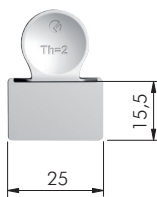
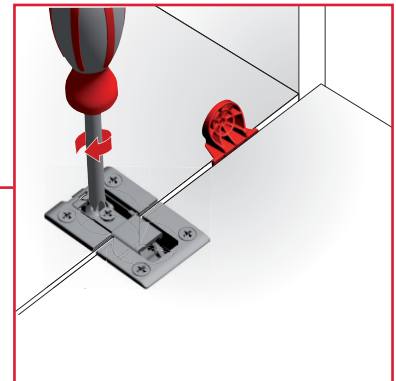
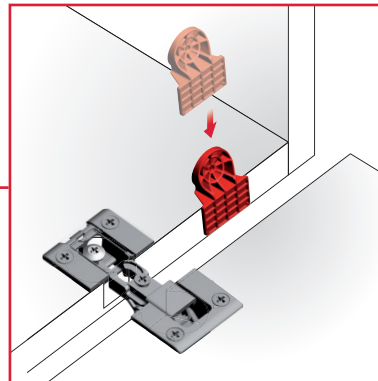
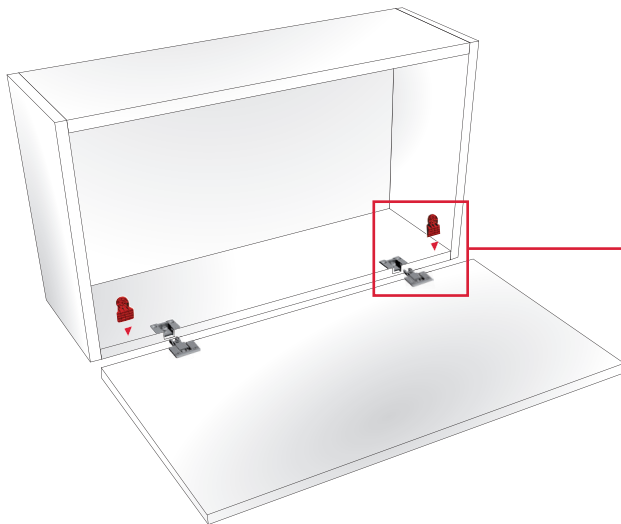
= Ø 2,5 mm +

= PZ2

= 10.000 pcs.

**60101410YA**

## DOOR ALIGNMENT SPACER FOR KIMANA HINGES



= on request

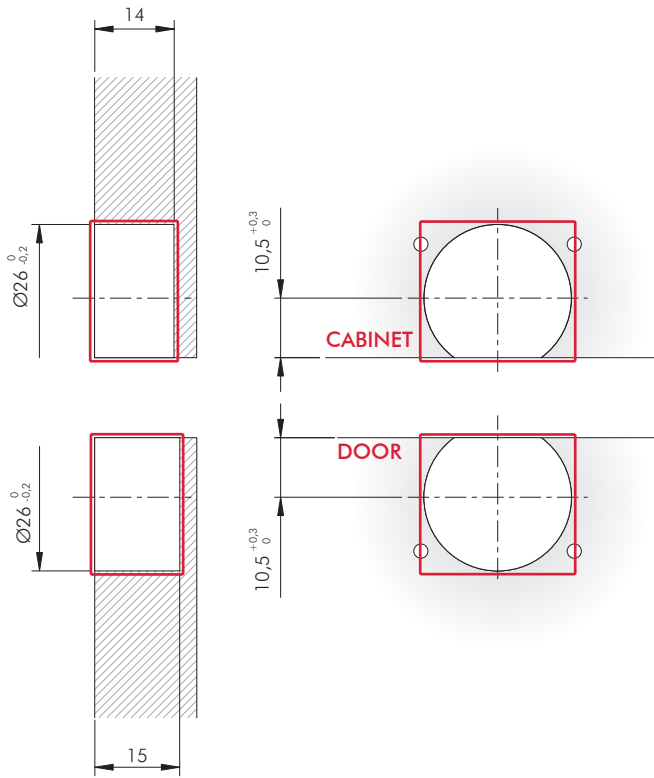
**40115630RO**




2 pcs featured in each polybag.

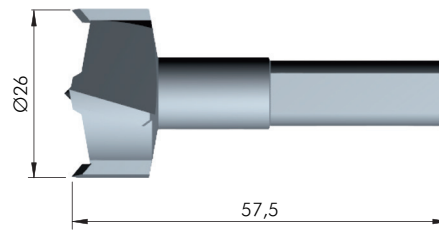
\* For non-standard drilling plans 1,5, 2,5, 3 and 4 mm spacers are also available.

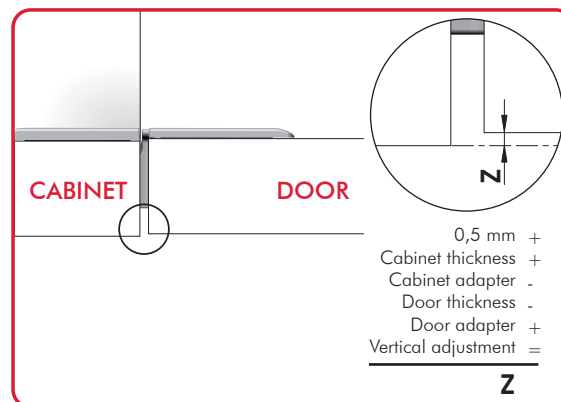
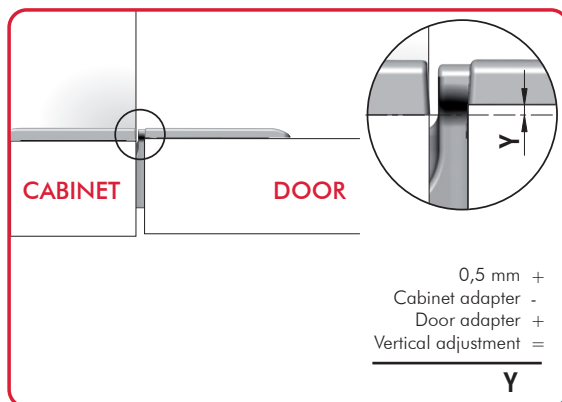
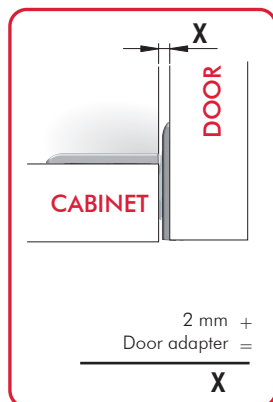


## DRILL BIT FOR KIMANA



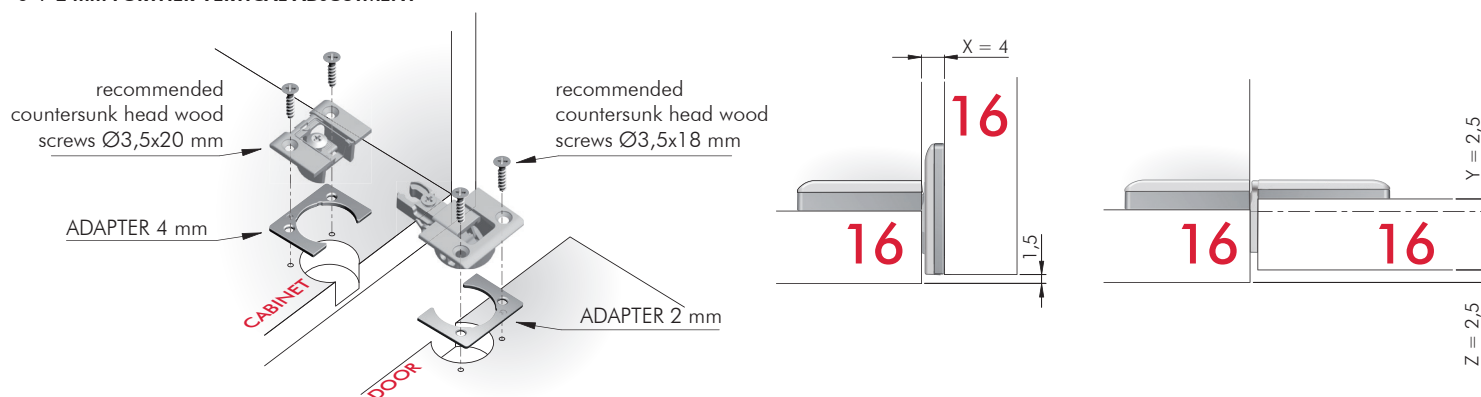
HSS	 = on request
 123	
<b>6270101000</b>	





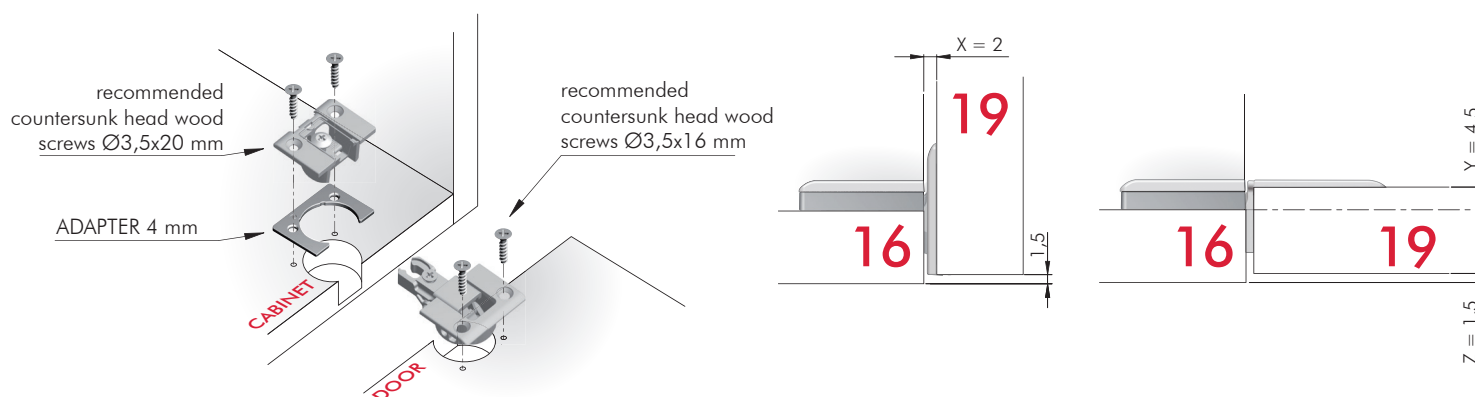
### CABINET 16 mm WITH ADAPTER 4 mm THICK - DOOR 16 mm WITH ADAPTER 2 mm THICK

0 + 2 mm FURTHER VERTICAL ADJUSTMENT



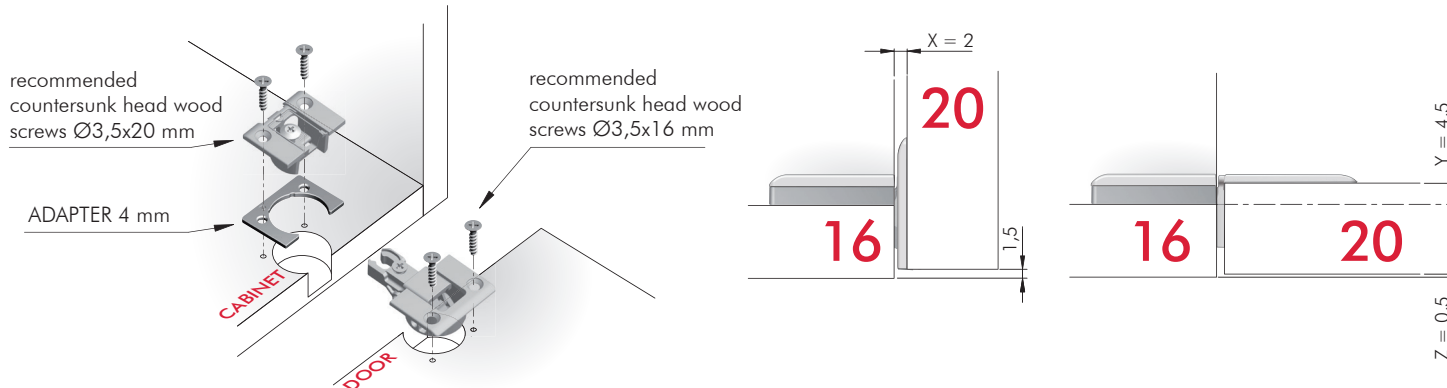
### CABINET 16 mm WITH ADAPTER 4 mm THICK - DOOR 19 mm WITHOUT ADAPTER

0 + 2 mm FURTHER VERTICAL ADJUSTMENT



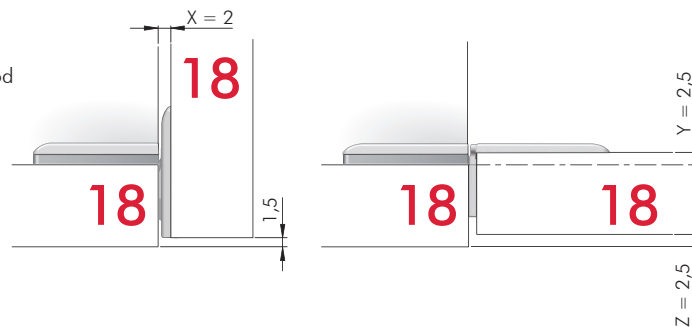
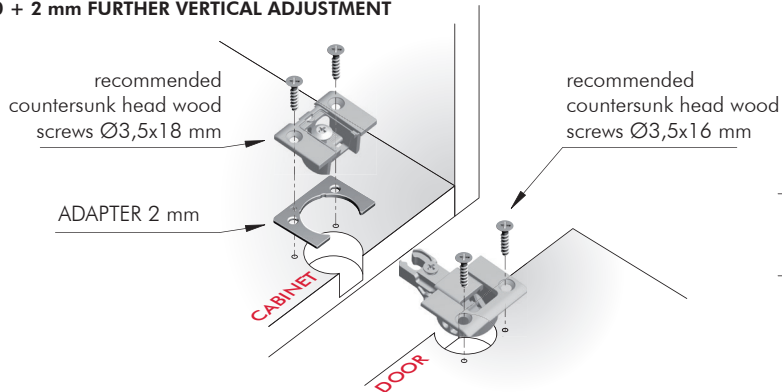
### CABINET 16 mm WITH ADAPTER 4 mm THICK - DOOR 20 mm WITHOUT ADAPTER

0 + 2 mm FURTHER VERTICAL ADJUSTMENT



## CABINET 18 mm WITH ADAPTER 2 mm THICK - DOOR 18 mm WITHOUT ADAPTER

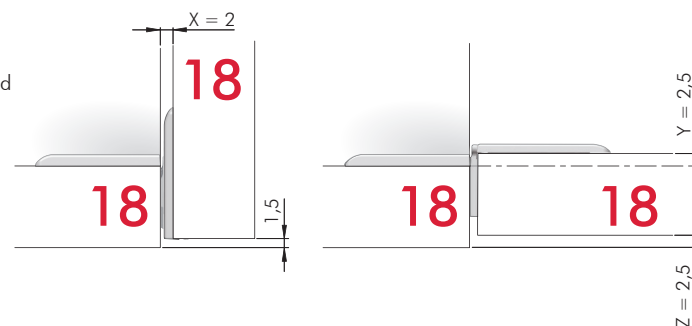
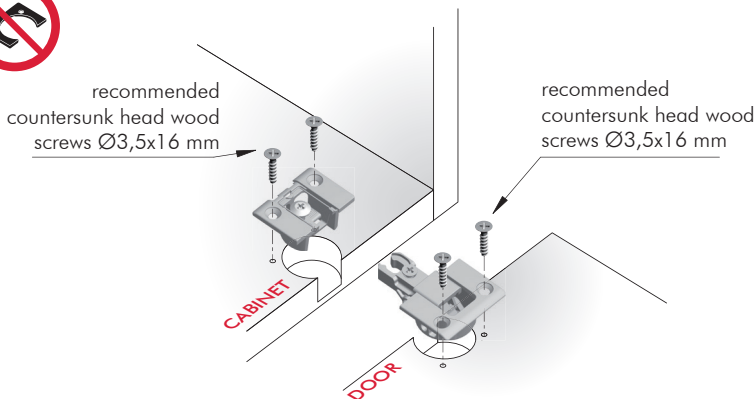
0 + 2 mm FURTHER VERTICAL ADJUSTMENT



## CABINET 18 mm WITHOUT ADAPTER - DOOR 18 mm WITHOUT ADAPTER

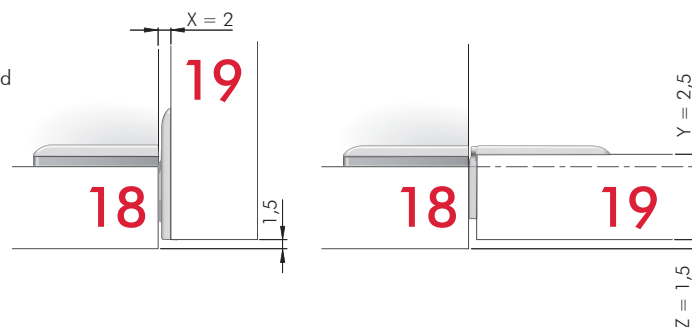
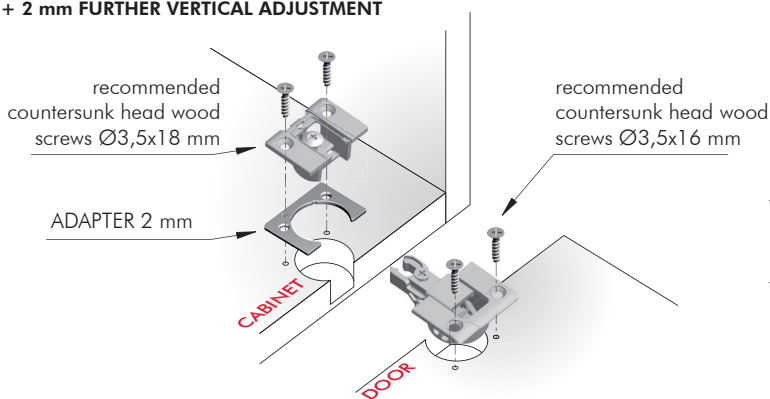


WITH VERTICAL ADJUSTMENT + 2 mm CARRIED OUT



## CABINET 18 mm WITH ADAPTER 2 mm THICK - DOOR 19 mm WITHOUT ADAPTER

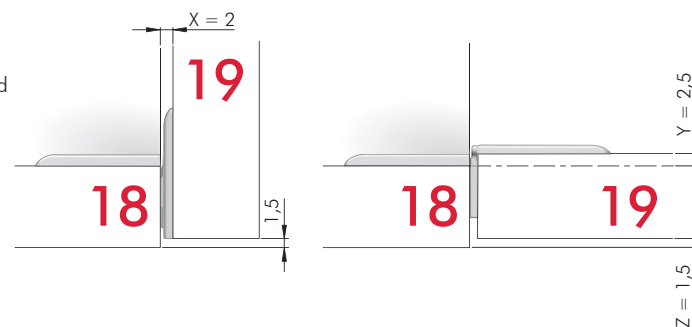
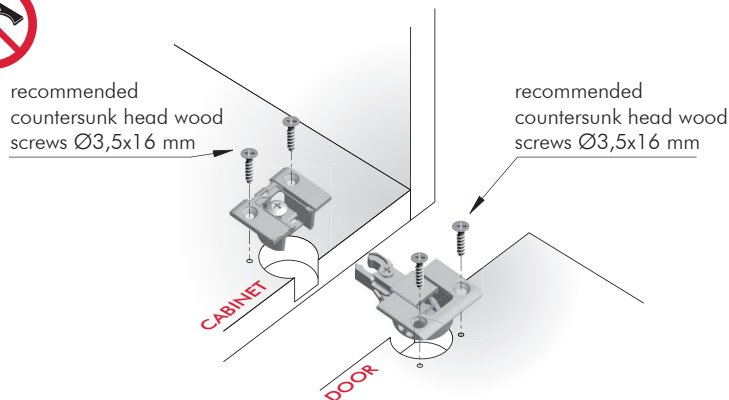
0 + 2 mm FURTHER VERTICAL ADJUSTMENT



## CABINET 18 mm WITHOUT ADAPTER - DOOR 19 mm WITHOUT ADAPTER



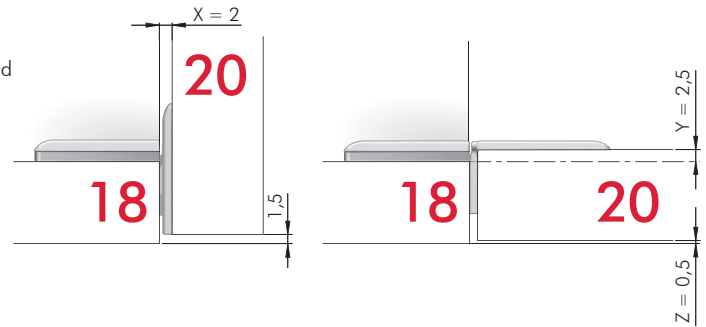
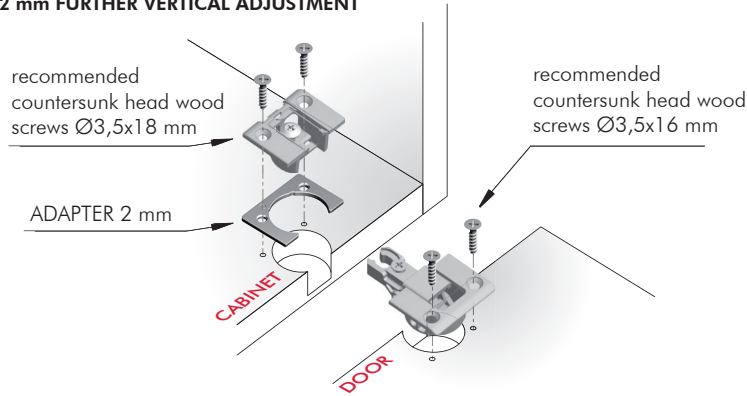
WITH VERTICAL ADJUSTMENT + 2 mm CARRIED OUT





## CABINET 18 mm WITH ADAPTER 2 mm THICK - DOOR 20 mm WITHOUT ADAPTER

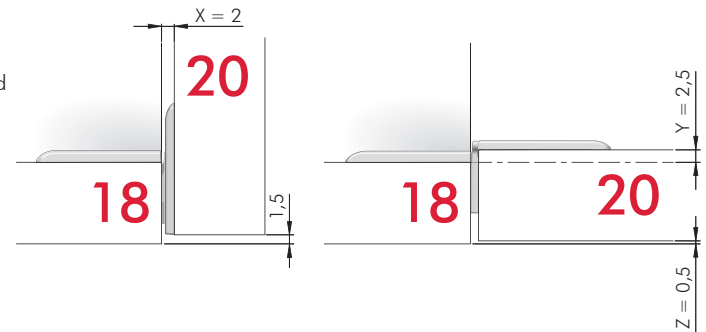
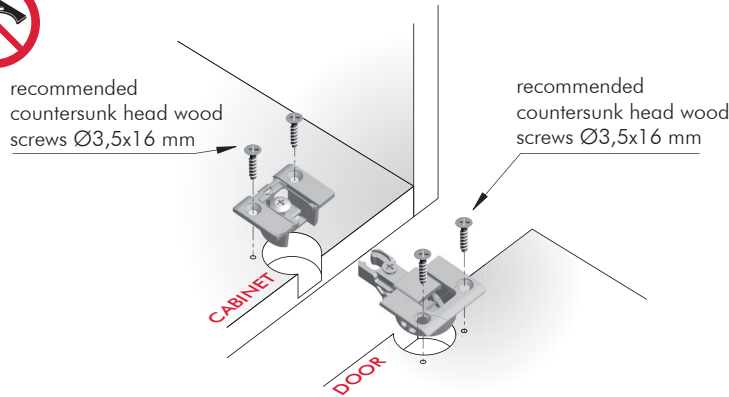
0 + 2 mm FURTHER VERTICAL ADJUSTMENT



## CABINET 18 mm WITHOUT ADAPTER - DOOR 20 mm WITHOUT ADAPTER

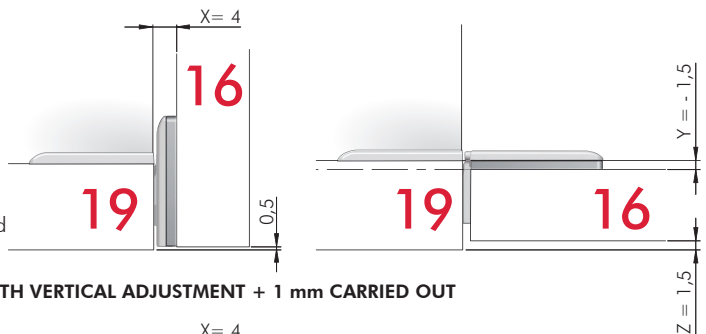
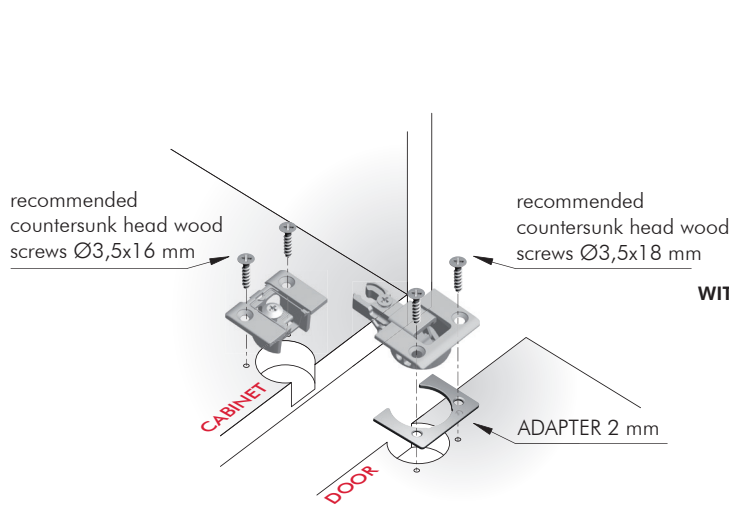


WITH VERTICAL ADJUSTMENT + 2 mm CARRIED OUT

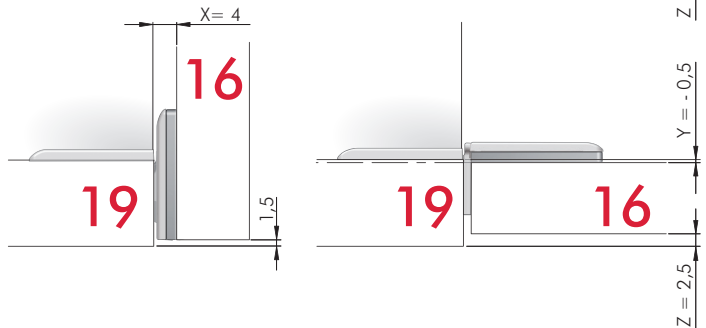


## CABINET 19 mm WITHOUT ADAPTER - DOOR 16 mm WITH ADAPTER 2 mm THICK

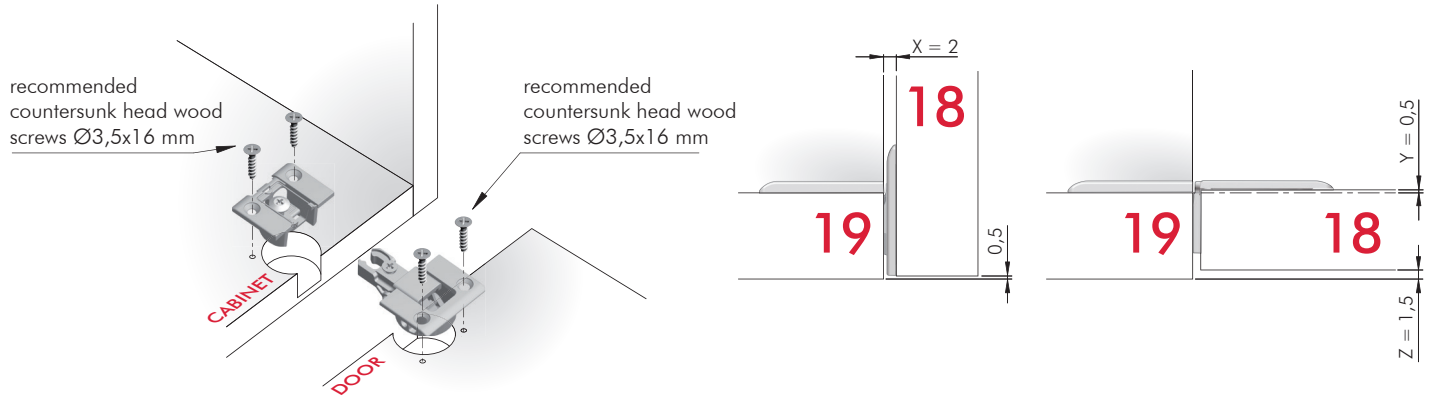
0 + 2 mm FURTHER VERTICAL ADJUSTMENT



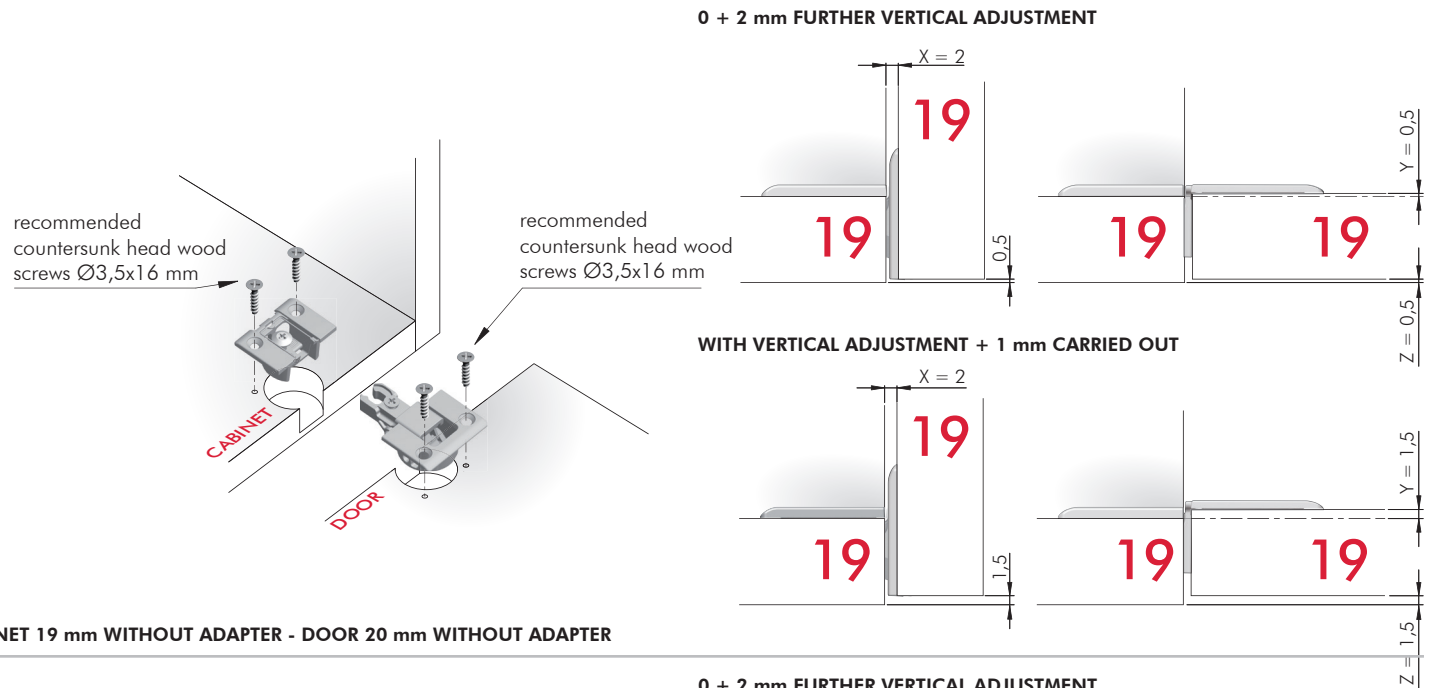
WITH VERTICAL ADJUSTMENT + 1 mm CARRIED OUT



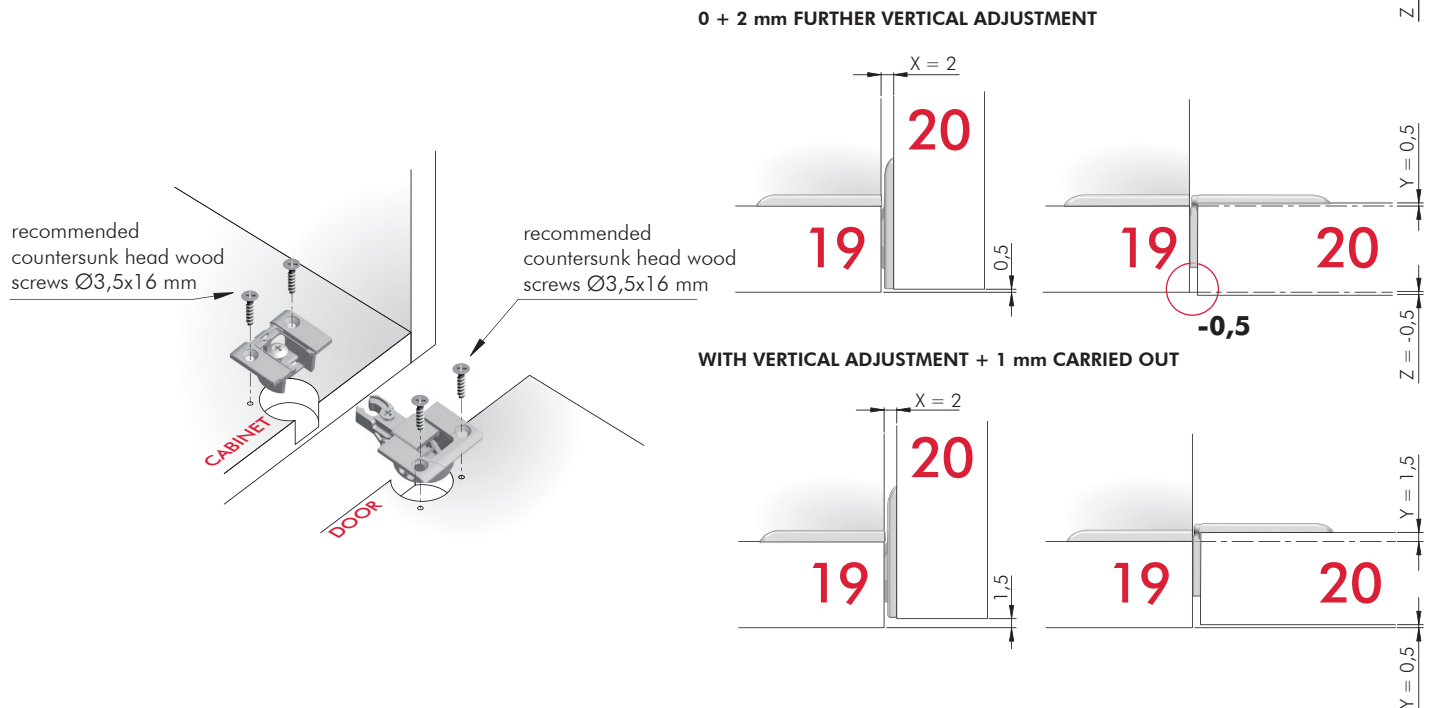
## CABINET 19 mm WITHOUT ADAPTER - DOOR 18 mm WITHOUT ADAPTER



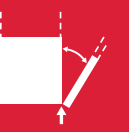
## CABINET 19 mm WITHOUT ADAPTER - DOOR 19 mm WITHOUT ADAPTER



## CABINET 19 mm WITHOUT ADAPTER - DOOR 20 mm WITHOUT ADAPTER

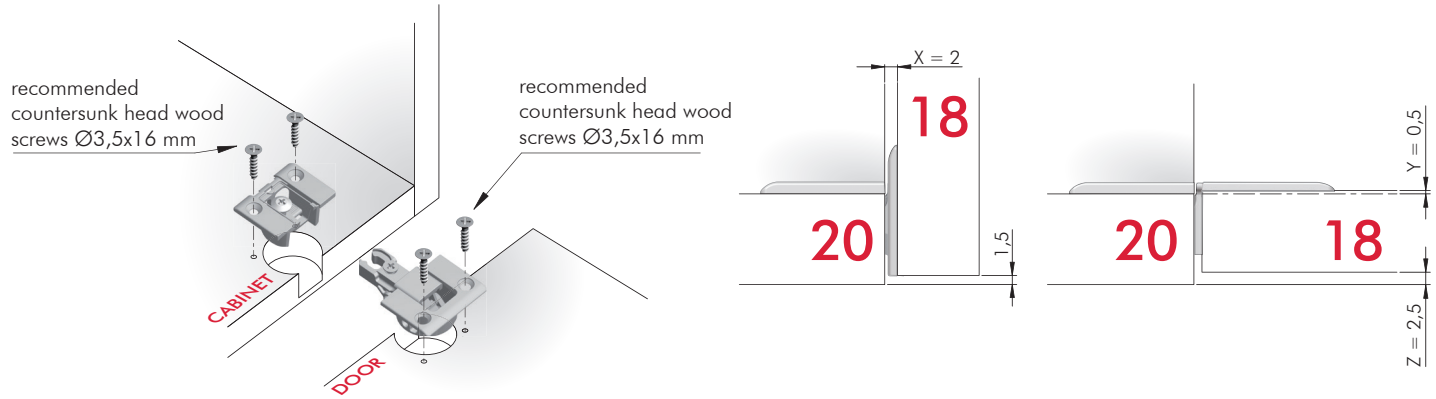






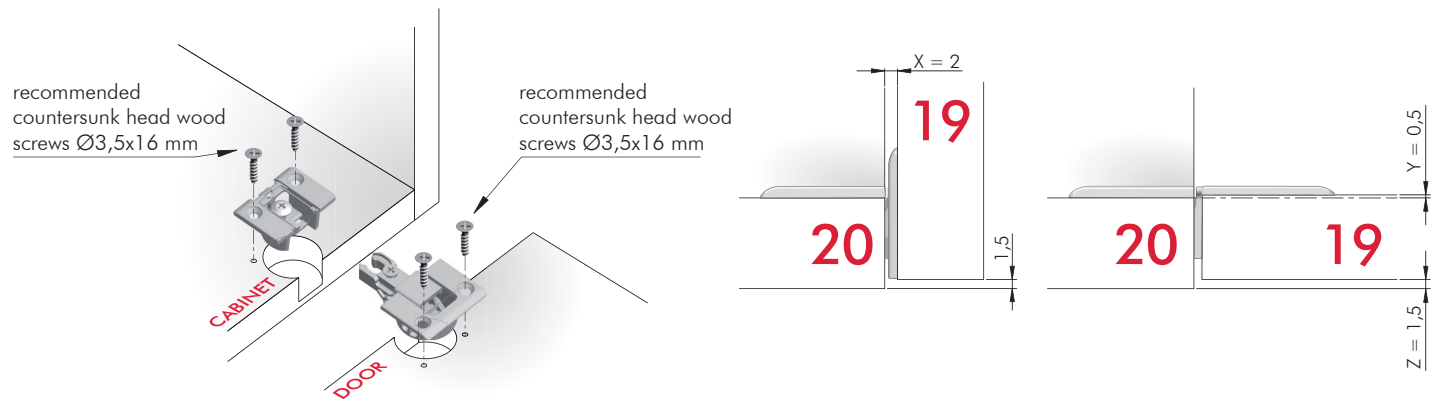
## CABINET 20 mm WITHOUT ADAPTER - DOOR 18 mm WITHOUT ADAPTER

0 + 2 mm FURTHER VERTICAL ADJUSTMENT



## CABINET 20 mm WITHOUT ADAPTER - DOOR 19 mm WITHOUT ADAPTER

0 + 2 mm FURTHER VERTICAL ADJUSTMENT



## CABINET 20 mm WITHOUT ADAPTER - DOOR 20 mm WITHOUT ADAPTER

0 + 2 mm FURTHER VERTICAL ADJUSTMENT

