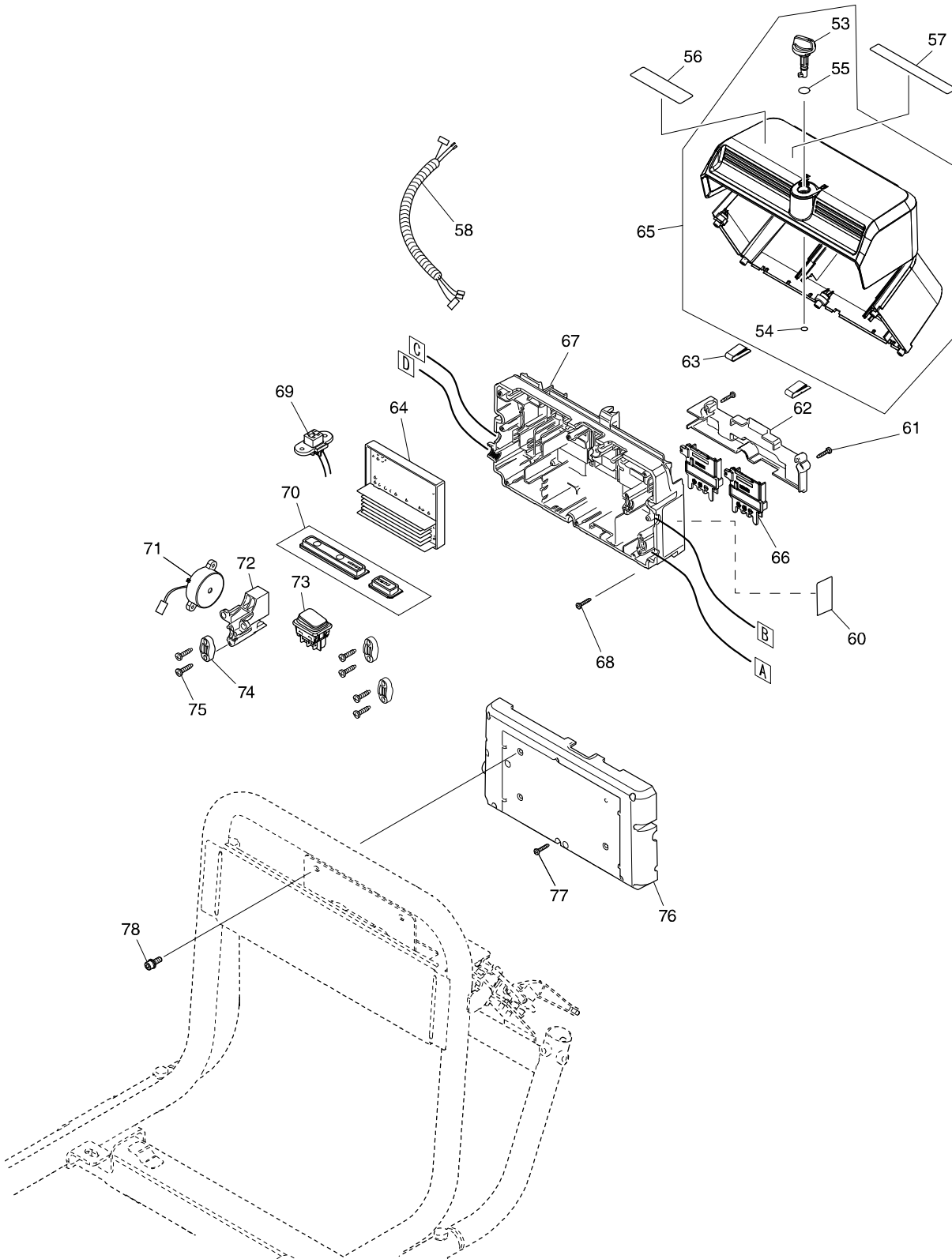
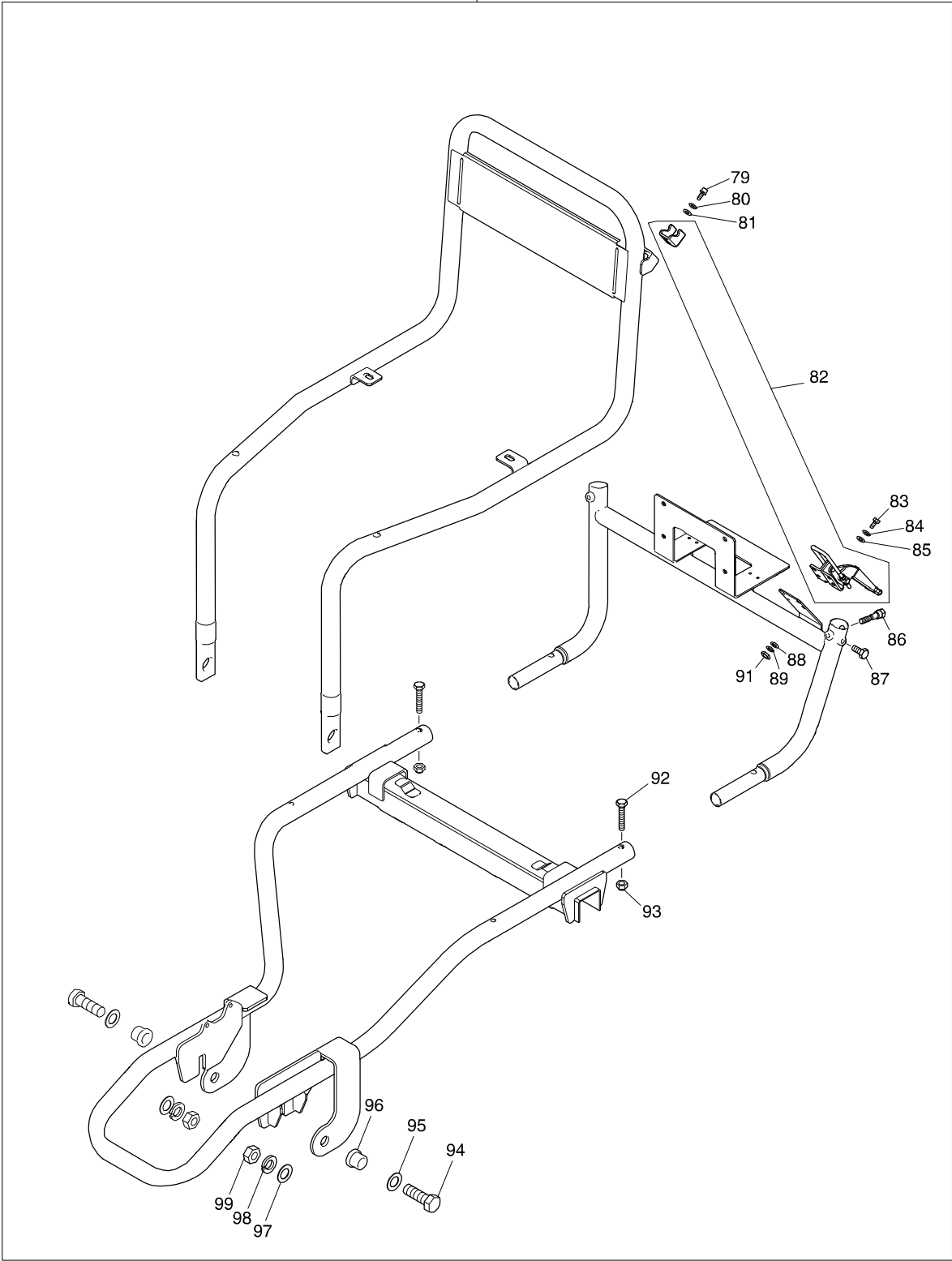


Numéro du modèle DCU180 BATTERY POWERED WHEELBARROW



Numéro du modèle DCU180 BATTERY POWERED WHEELBARROW

15



Position	Référence pièce	Description	Echelle	QTE	N/O	Option 1	Option 2	COMMENTAIRE
001	161640-0	HANDLE COMPLETE		2				
002	161648-4	BRAKE ASSEMBLY		1				
D10		INC. 90						
003	266130-9	TAPPING SCREW BIND PT 3X16		5	0		P1	
004	183H15-1	SWITCH BOX SET		1				
C10	813J54-6	CAUTION LABEL		1				
D10		INC. 10						
005	457633-6	SWITCH LEVER		1				
006	922223-9	H.S.H.BOLT M5X16 WITH WR		2	0		P1	
007	346249-1	PIPE CLAMP 28		2	65		P2	
008	233540-5	TORSION SPRING 11		1	0		P1	
009	144521-3	SWITCH PLATE COMPLETE		1				
C10	812S78-3	SWITCH LABEL		1				
010	183H15-1	SWITCH BOX SET		1				
C10	813J54-6	CAUTION LABEL		1				
D10		INC. 4						
011	650781-2	SWITCH C3JW-6B-P		1			P99	
012	251595-8	HEX.BOLT M8X20		2				
013	687410-4	BAND		2	0		P1	
014	942201-3	SPRING WASHER 8		2	0		P1	
015	126589-1	FRAME ASSEMBLY		1				
D10		INC. 79-89,91-99						
016	253852-0	FLAT WASHER 8		2	0		P3	
017	699095-4	POWER SUPPLY CORD UNIT		1				
018	812S79-1	MAKITA LOGO LABEL		1				
019	126893-8	REAR TIRE R ASSEMBLY		1				
C10	161639-5	JOINT		1				
C20	161868-0	TIRE 260 WITH STOPPER		1				
C30	921467-8	HEX. BOLT M8X45		1	65		P2	
C40	252105-4	HEX. LOCK NUT M8-13		1	65		P1	
020	347278-7	GUARD R		1				
021	422151-3	PACKING		1				
022	266240-2	HEX. SOCKET HEAD BOLT M10X25		2	65		P2	
023	941251-5	FLAT WASHER 10		2	65		P2	
024	126837-8	REAR TIRE L ASSEMBLY		1				
C10	161663-8	JOINT L		1				
C20	161868-0	TIRE 260 WITH STOPPER		1				
C30	921467-8	HEX. BOLT M8X45		1	65		P2	
C40	252105-4	HEX. LOCK NUT M8-13		1	65		P1	
025	922223-9	H.S.H.BOLT M5X16 WITH WR		8	0		P1	
026	347238-9	CLAMP A		2				
027	347239-7	CLAMP B		2				
028	347394-5	PLATE		2				
029	687849-1	BAND		5				
030	319594-7	LIGHT CASE		2				
031	213656-2	O RING 53		2			P5	
032	457636-0	REFLECTOR		2				
033	457634-4	LENS		2				

Position	Référence pièce	Description	Echelle	QTE	N/O	Option 1	Option 2	COMMENTAIRE
034	213604-1	O RING 50		2		1	P6	
035	457635-2	COVER		2				
036	422166-0	PACKING		1				
037	620685-2	LED CIRCUIT		2				
038	687123-7	STRAIN RELIEF		3		0	P1	
039	266034-5	TAPPING SCREW CT 4X16		6		0	P1	
040	319595-5	LIGHT CASE COVER		2				
041	266034-5	TAPPING SCREW CT 4X16		8		0	P1	
042	347279-5	GUARD L		1				
043	922328-5	H.S.H.BOLT M6X18 WITH WR		2		0	P1	
044	161641-8	BRAKE CALIPER ASSEMBLY		1				
045	347208-8	BRAKE DISC		1				
046	161638-7	SNAP IN VALVE		1				
047	126590-6	WHEEL		1				
C10	BF00000002	HEX. NUT M16		2				
C20	BF00000003	FLAT WASHER		2				
C30	BF00000001	HEX. SOCKET BUTTON BOLT M5X8		6				
048	126734-8	FRONT TIRE ASSEMBLY		1				
D10		INC. 46,47,52						
049	941102-2	FLAT WASHER 5		6		0	P1	
050	232247-0	CONED DISC SPRING 16		2				
051	253377-4	FLAT WASHER 17		2			P1	
052	422159-7	FRONT TIRE 430		1				
053	457625-5	LEVER 25		1				
054	213005-3	O RING 5		1		0	P1	
055	213078-6	O-RING 10		1		0	P1	
056	816M70-5	INDICATION LABEL		1				
057	816N32-9	CAUTION LABEL		1				
058	632K49-4	LEAD UNIT		1				
059	699096-2	POWER SUPPLY CORD UNIT		1				
C10	682576-5	GROMMET		1				
C20	688162-0	LINE FILTER		2			P2	
060	853S84-9	DCU180 NAME PLATE		1				
061	266130-9	TAPPING SCREW BIND PT 3X16		2		0	P1	
062	457629-7	TERMINAL HOLDER		1				
063	232267-4	LEAF SPRING		2			P1	
064	620675-5	CONTROLLER		1				
065	135934-9	BATTERY BOX ASSY		1				
D10		INC. 53-55						
066	643874-2	TERMINAL		2			P5	
067	144519-0	CENTER CASE COMPLETE		1				
C10	263005-3	RUBBER PIN 6		4		65	P2	
068	266130-9	TAPPING SCREW BIND PT 3X16		5		0	P1	
069	632K50-9	LEAD UNIT		1				
070	144520-5	SUB CONTROLLER COMPLETE		1				
071	620684-4	BUZZER CIRCUIT		1				
072	457630-2	COVER		1				
073	651534-2	SWITCH 1934.3112B		1		45	P19	

