

# STILE

Chain actuator – Force 300 N – Stroke 400 mm



## PATENTED CHAIN ACTUATOR

- Double link chain for a better load resistance in case of top hinged windows, heavy windows or roof windows.
- Two available versions: **STILE** with a selectable stroke /400 mm and **STILE R** with a maximum stroke of 400 mm, adjustable from 0 to 300 mm, by positioning a magnet on the chain during installation.
- Glass strengthened nylon casing.
- Double electric insulation actuator (no electric connection to earth is needed).
- The special removable plug allows a very quick and easy connection. It is ideal for the final test of the actuators on the building site.
- Exclusive system for a quick and safe installation.
- Quick release system for an easy window cleaning.
- Supplied with pivoting brackets and spacer for chain connector to be used on windows with an high overlap.
- In case of vents with four –bar hinges, please contact our Technical Dept.
- Provided with closing feedback signal.



VOLTAGE SUPPLY  
 ELECTRIC CONNECTION  
 MAXIMUM STROKE  
 FORCE  
 SPEED  
 CURRENT ABSORPTION (with max load)  
 PARALLEL CONNECTION  
 LIMIT STOP  
 PROTECTION  
 FEEDBACK SIGNAL  
 PROTECTION CLASS

**STILE**  
 230 Vac 50/60 Hz  
 3 wires (\*)  
 selectable 230/400 mm  
 300 N (\*\*)  
 ~ 30 mm/s  
 0,8 A  
 YES  
 Micro switches  
 Thermic  
 Close  
 IP 20

**STILE R**  
 230 Vac 50/60 Hz  
 3 wires (\*)  
 400 mm: adjustable from 0 a 300 mm  
 300 N (\*\*)  
 ~ 30 mm/s  
 0,8 A  
 YES  
 Micro switches/Hall sensor  
 Thermic  
 Close  
 IP 20

**Part No.**

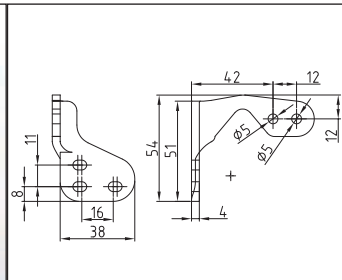
GRAY 41554A  
 BLACK 41555B  
 WHITE 41556C

41558E  
 41559F  
 41560G

(\*) Double electric insulation actuator: no electric connection to earth is needed.  
 (\*\*) In case of push action and full stroke, maximum force is intended for short period only.



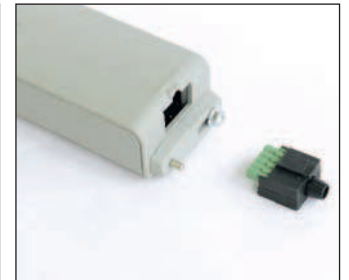
**Accessories**



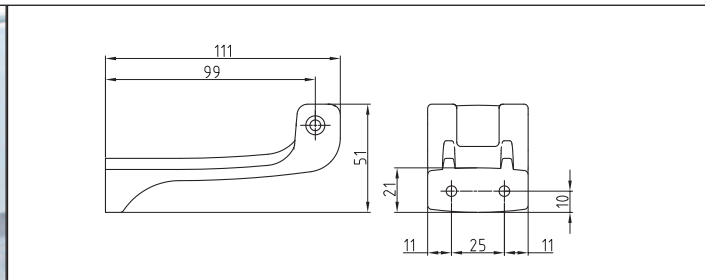
Fixing brackets (included)



Spacer for chain connector (included)



Electrical connector included (no cable)

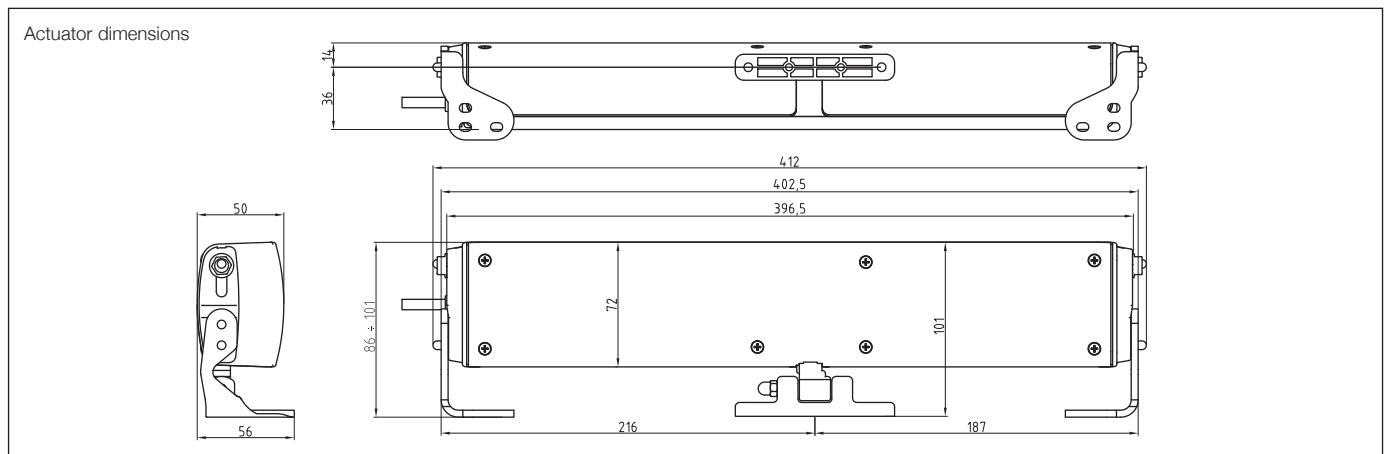


Bottom hinged window plastic bracket (to be ordered separately)

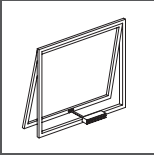
Grey: Part No. 41582C  
 Black: Part No. 41583D  
 White: Part No. 41584E



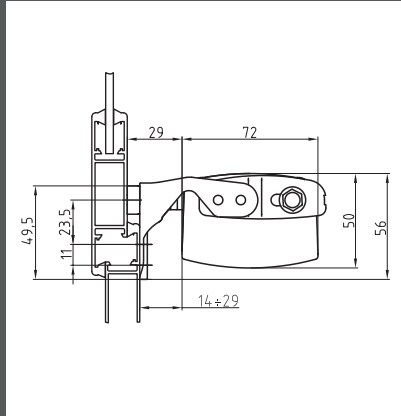
Chain connector for concealed vent  
 Grey: Part No. 41590K  
 Black: Part No. 41591L  
 White: Part No. 41592M



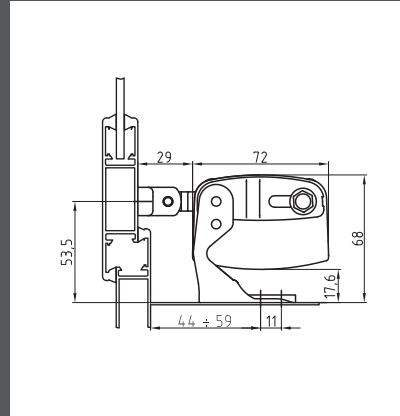
## Installation examples



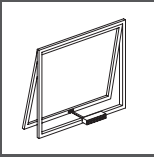
Top hinged



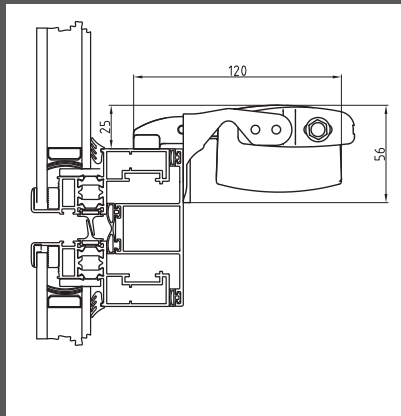
On the frame with pivoting brackets included



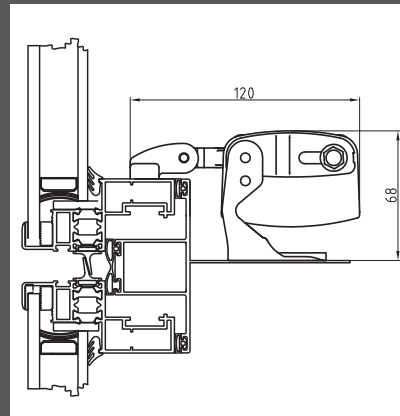
On the windowsill with pivoting brackets included



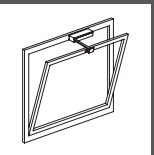
Top hinged windows with concealed vent



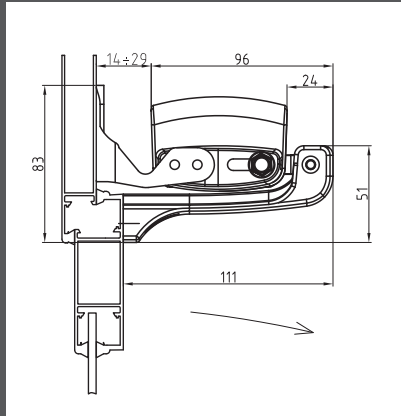
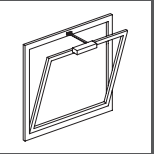
On the frame with pivoting brackets included and chain connector for concealed vents



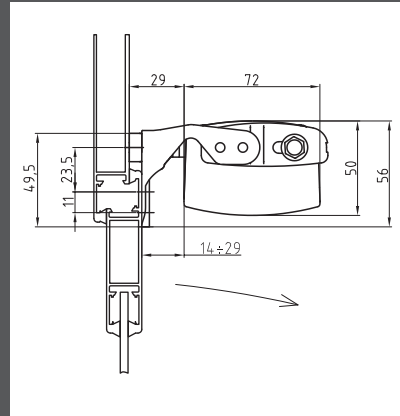
On the windowsill with pivoting brackets included and chain connector for concealed vents



Bottom



On the vent with pivoting brackets included



On the frame with pivoting brackets included and bottom hinged bracket

**⚠** The instructions for a safe installation are included in the section "SECURITY WARNINGS"

### SPECIFICATION PROSPECT

Class 2 electric insulation chain actuator Ultraflex Control Systems named Stile with double link chain in two versions:selectable stroke 230/400 mm or adjustable stroke from 0 to 300 mm. Voltage supply: 230 Vac. Parallel connection. Limit stop by micro switches and thermal protection. Plastic scratch resistant finish. Conform to 2006/95/CE LVD and 2004/108/CE EMC directives.

The instructions for a safe installation are included in the section "SECURITY WARNINGS"