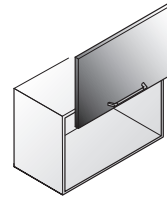


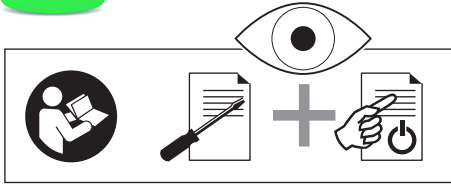


# FREEslide eTouch<sup>13</sup>

by Kesseböhmer



<http://support.kesseboehmer.de/freelift-etouch>



**Vorserienversion  
Pre-series version**

**1**

**2**

UK: 271976 9005  
AU: 271975 9005  
EU: 271973 9005  
US: 271974 9005

**3**

**4**

■ 271970 7035  
□ 271970 9966

**5**

271962 7035

M4 x 12  
4 x 35

**+**

**+**

14x P M4 x 8 DIN 965  
2x Q 271687 0006

**+**

2x S

403722 0000

05/2015

12.0001.010.432.0000.00

KESSEBÖHMER

| <b>i</b>                                 |  | „mm“        |             |             |            |
|--|--|-------------|-------------|-------------|------------|
|  |  |             |             |             |            |
|  | <b>KH: 320 - 360</b><br><b>LH: ≥ 280</b> | 271964 0006 | 3.0 - 5.7   | <b>O1us</b> | 2719010006 |
|  |  |             | 4.8 - 9.3   | <b>O2us</b> | 2719020006 |
|  |  |             | 8.7 - 16.5  | <b>O3us</b> | 2719030006 |
|  | <b>KH: 345 - 420</b><br><b>LH: ≥ 308</b> | 271965 0006 | 2.4 - 4.8   | <b>P1us</b> | 2719040006 |
|  |  |             | 4.1 - 8.0   | <b>P2us</b> | 2719050006 |
|  |  |             | 7.4 - 14.0  | <b>P3us</b> | 2719060006 |
|  |  |             | 11.0 - 19.6 | <b>P4us</b> | 2719070006 |
|  | <b>KH: 380 - 500</b><br><b>LH: ≥ 343</b> | 271966 0006 | 2.0 - 3.8   | <b>Q1us</b> | 2719080006 |
| 3.4 - 6.7                                |  |             | <b>Q2us</b> | 2719090006  |            |
| 6.3 - 11.8                               |  |             | <b>Q3us</b> | 2719100006  |            |
| 9.3 - 17.4                               |  |             | <b>Q4us</b> | 2719110006  |            |
| <b>KH: 430 - 600</b><br><b>LH: ≥ 388</b> | 271967 0006                              | 1.6 - 3.3   | <b>R1us</b> | 2719120006  |            |
|  |  | 2.6 - 5.5   | <b>R2us</b> | 2719130006  |            |
|  |  | 5.0 - 9.7   | <b>R3us</b> | 2719140006  |            |
|  |  | 7.4 - 14.6  | <b>R4us</b> | 2719150006  |            |

| <b>1</b>             |      | „mm“                      |      |             |
|----------------------|------|---------------------------|------|-------------|
|                      |      |                           |      |             |
| <b>KB ≥ 1200</b><br> |      |                           |      |             |
|                      | 600  | 16                        | 449  | 271979 0038 |
|                      | 900  | 16                        | 749  | 271981 0038 |
|                      |      | 19                        |      |             |
|                      | 1200 | 16                        | 1049 | 271983 0038 |
| 19                   |      |                           |      |             |
| <b>KB</b>            | 16   | <b>KB - (2 x K) - 113</b> |      |             |
|                      | 19   |                           |      |             |

403722 0000

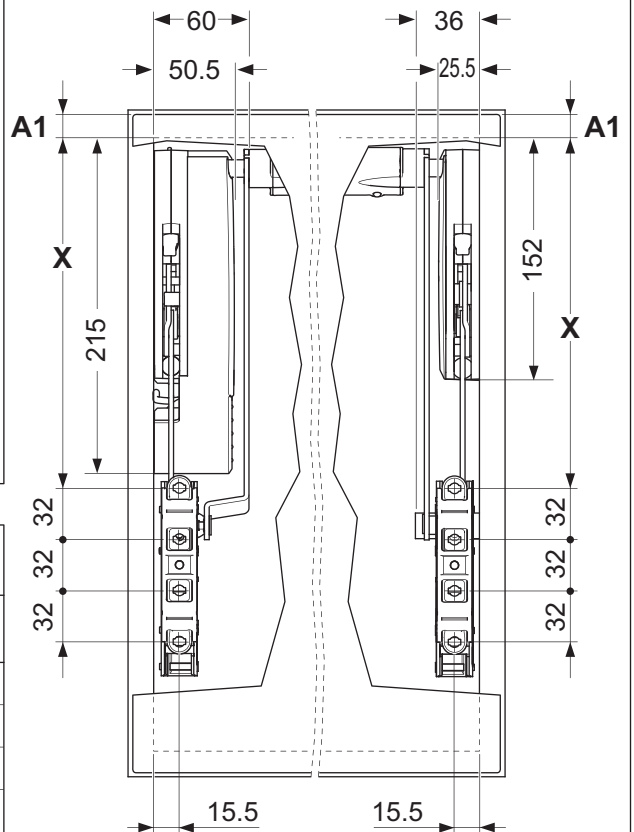
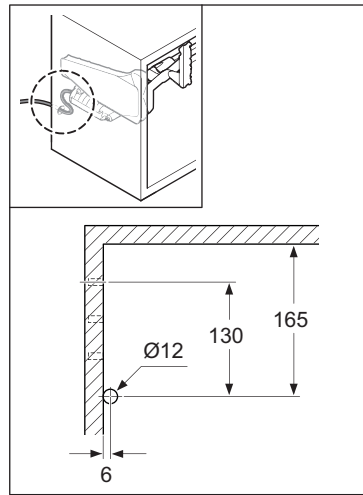
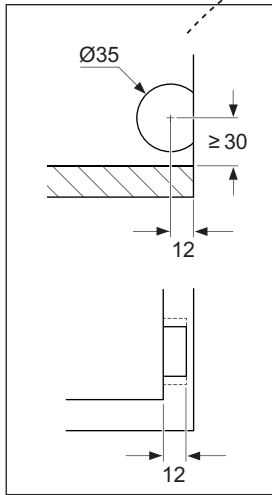
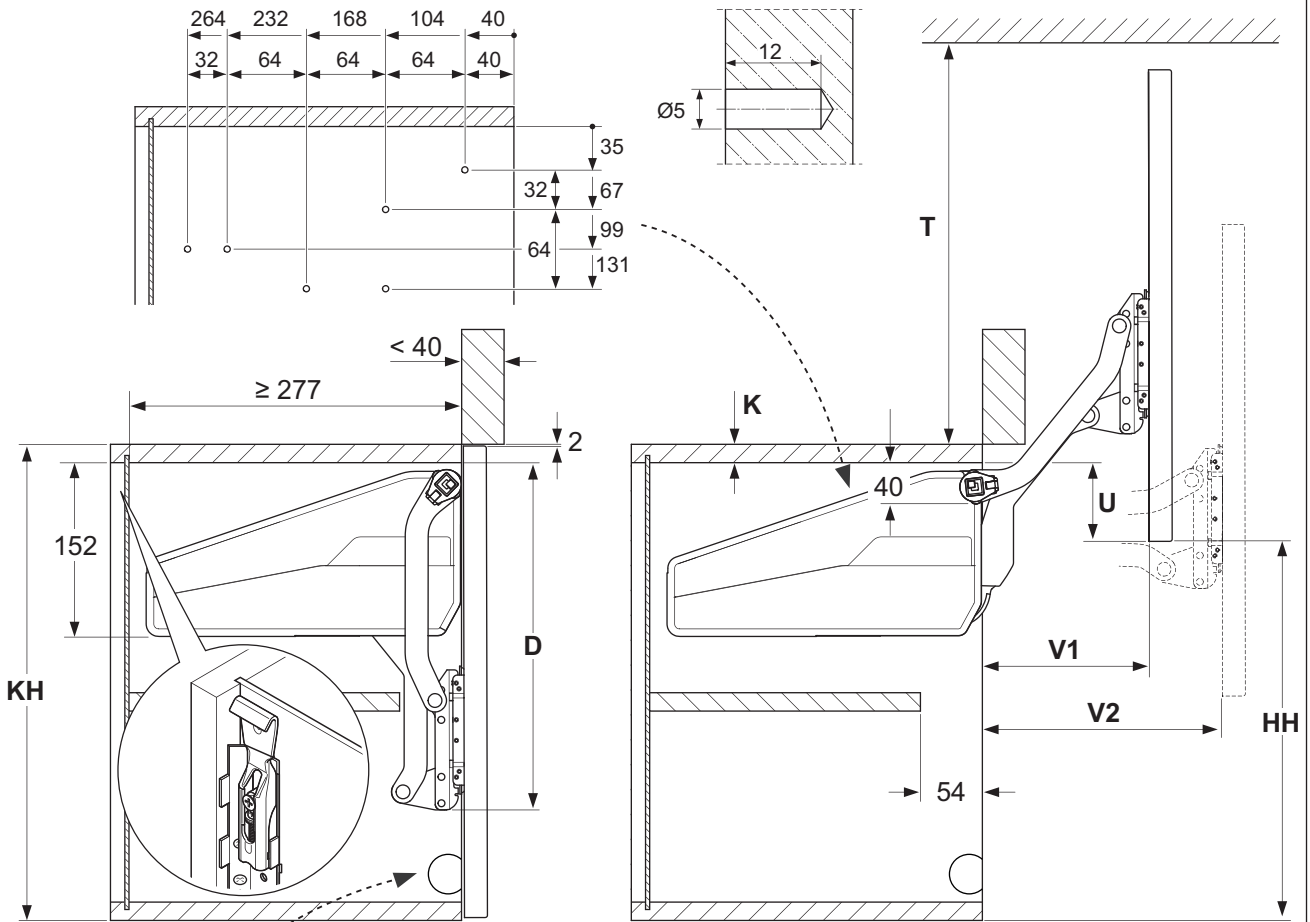
05/2015

12.0001.010.432.0000.00

KESSEBÖHMER

i

„mm“



| KH        | U = KH - HH - K |       |     |           |     |     |
|-----------|-----------------|-------|-----|-----------|-----|-----|
|           | X               | D     | HH  | T         | V1  | V2  |
| 320 - 360 | 157             | 274.5 | 278 | $\ge 281$ | 128 | 177 |
| 345 - 420 | 185             | 302.5 | 328 | $\ge 333$ | 146 | 205 |
| 380 - 500 | 220             | 337.5 | 390 | $\ge 393$ | 168 | 240 |
| 430 - 600 | 265             | 382.5 | 470 | $\ge 473$ | 196 | 284 |

403722 0000

05/2015

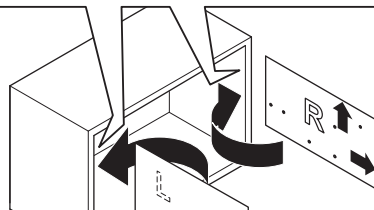
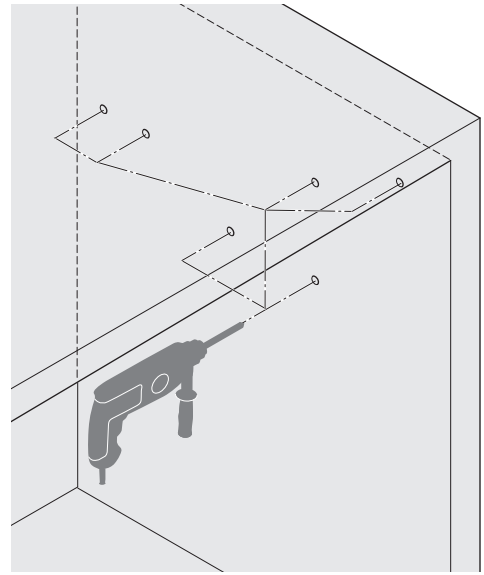
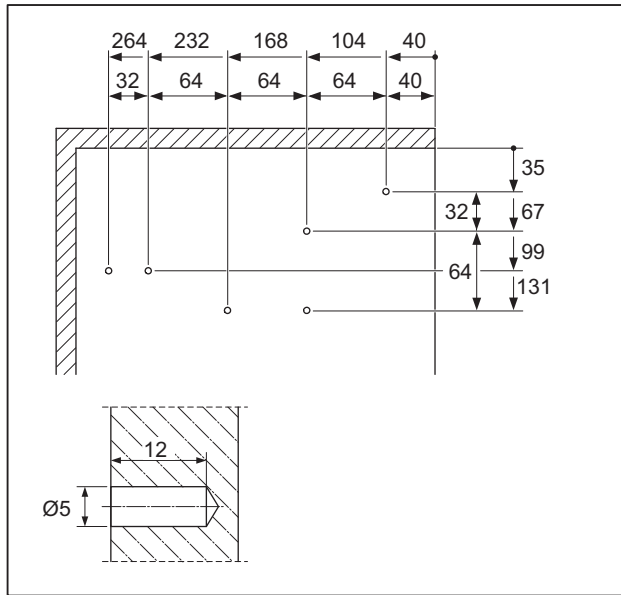
12.0001.010.432.0000.00

KESSEBÖHMER

1



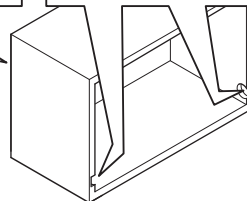
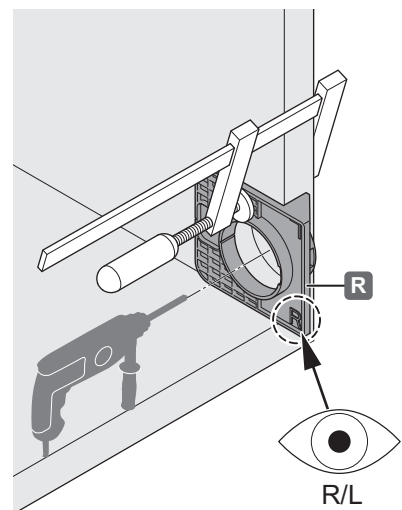
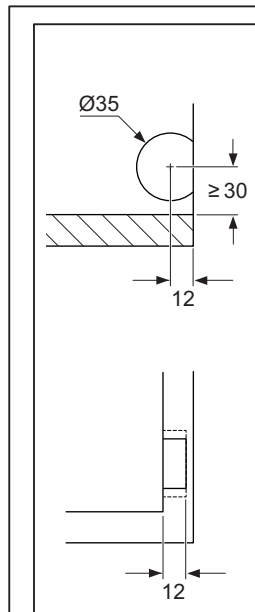
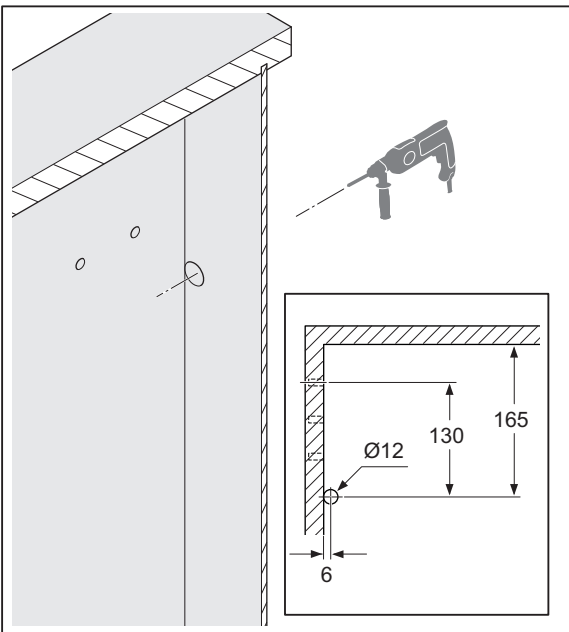
„mm“



2



„mm“



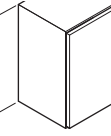
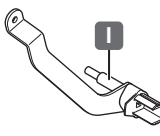
403722 0000

05/2015

12.0001.010.432.0000.00

KESSEBÖHMER

**3**

|           |   |   |
|-----------|---|---|
| <b>KH</b> |  |  |
| 320 - 360 |   | O: 271964 0006  |
| 345 - 420 |   | P: 271965 0006  |
| 380 - 500 |   | Q: 271966 0006  |
| 430 - 600 |   | R: 271967 0006  |

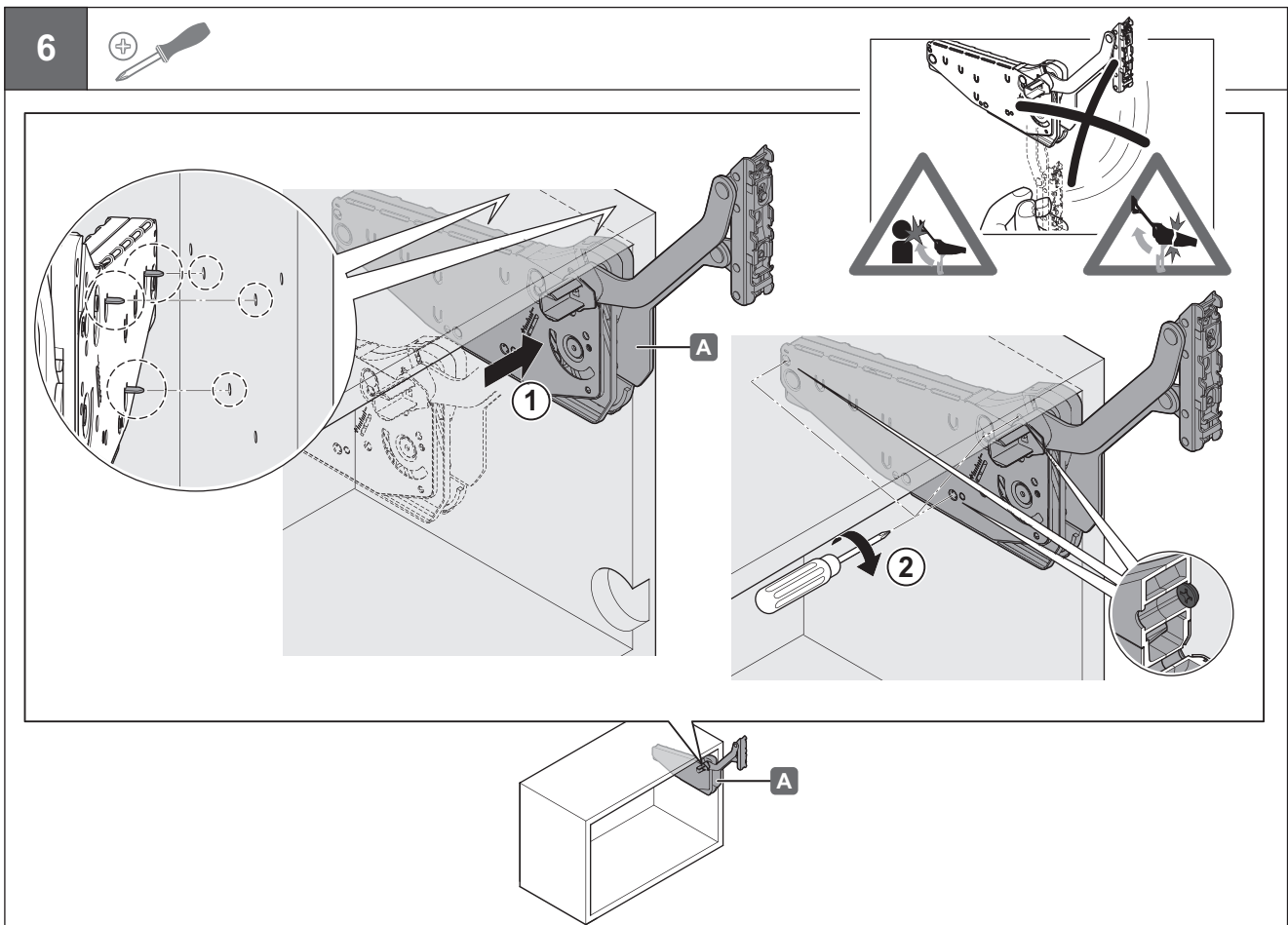
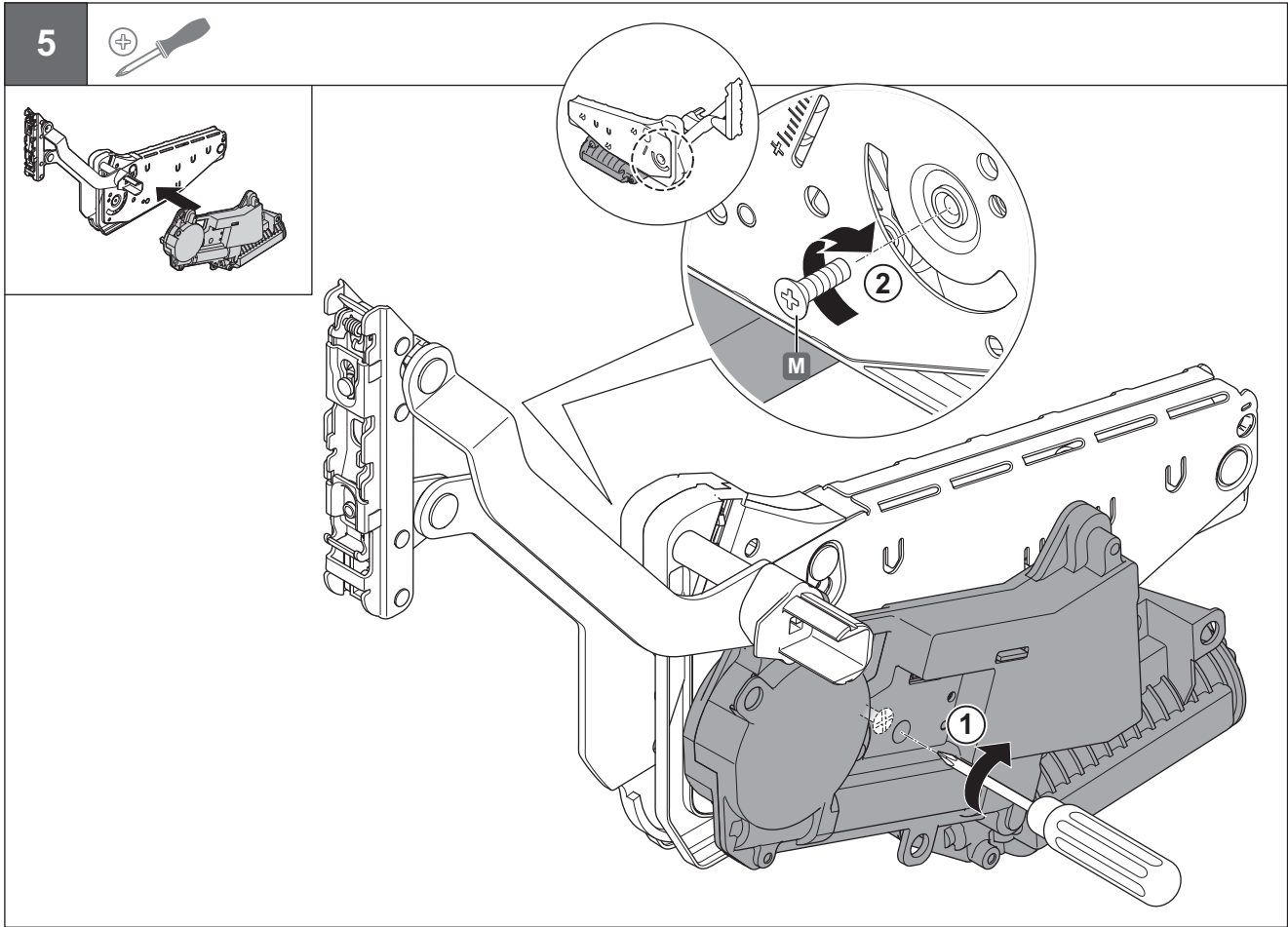
403722 0000

**4**

05/2015

12.0001.010.432.0000.00

KESSEBÖHMER



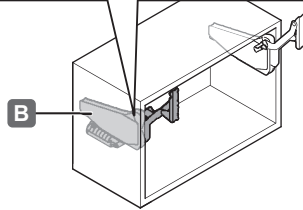
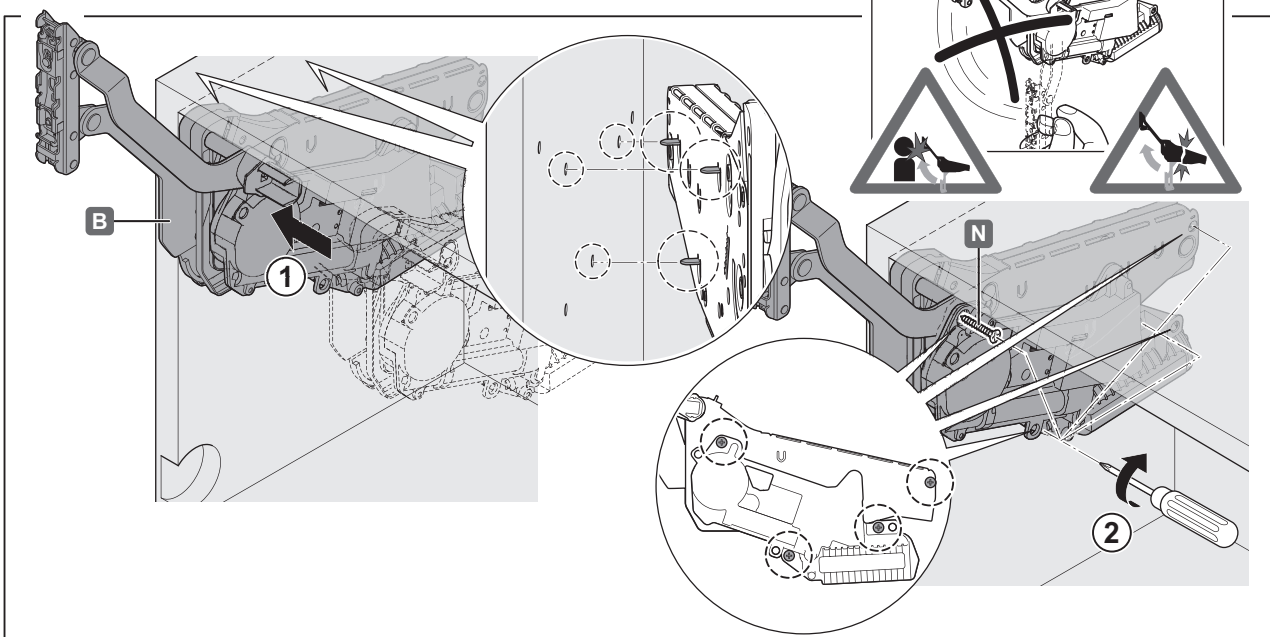
403722 0000

05/2015

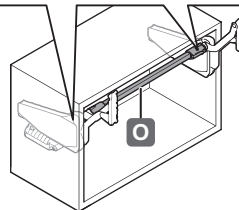
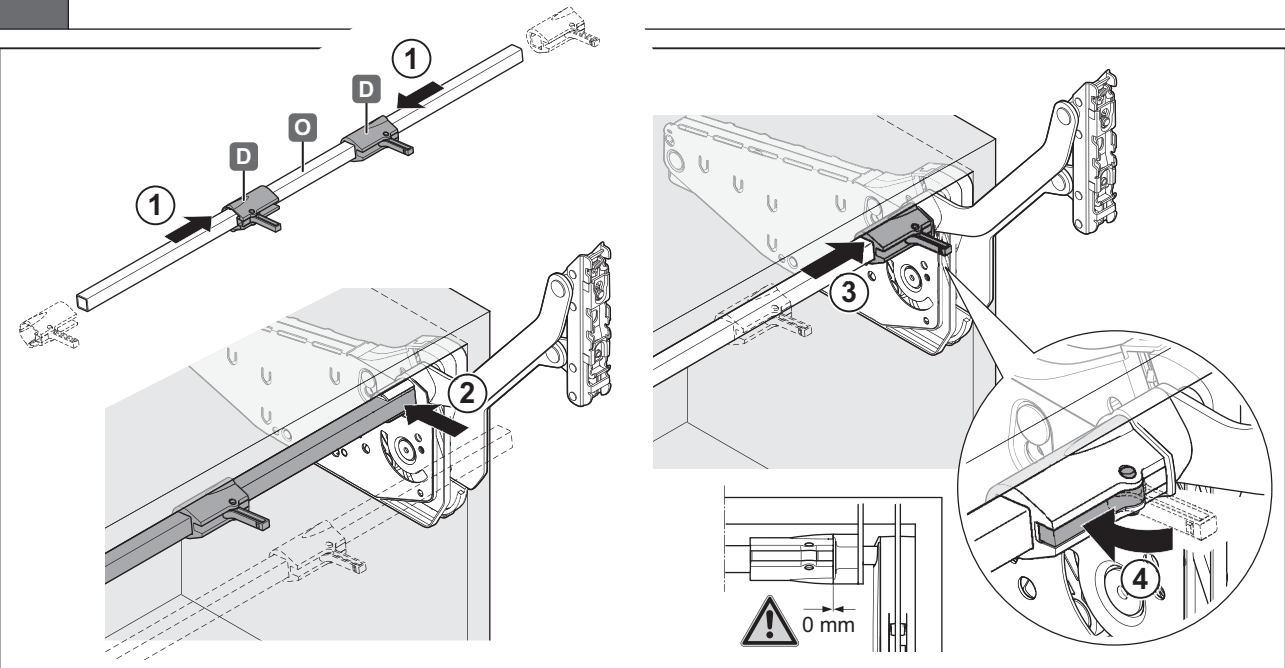
12.0001.010.432.0000.00

KESSEBÖHMER

7



8



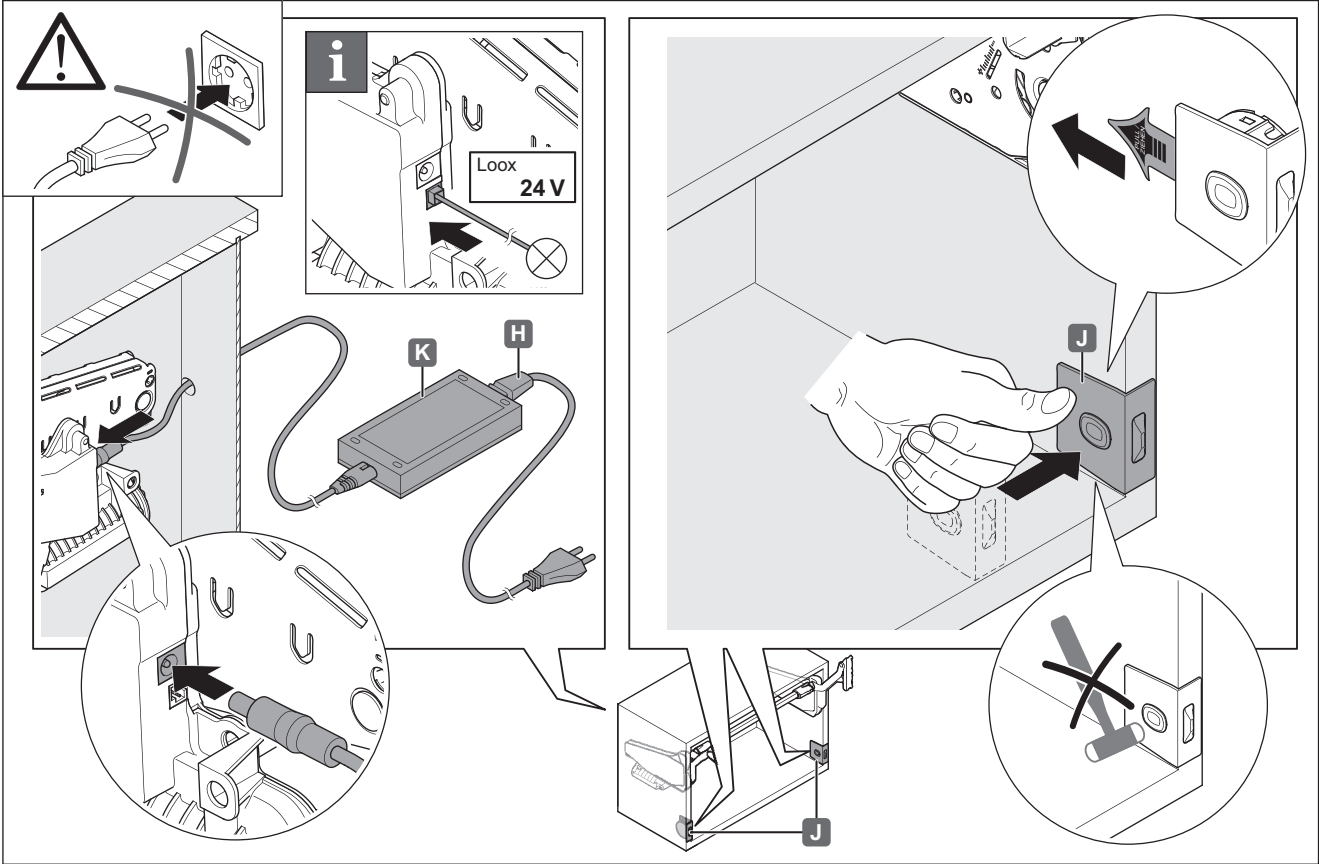
403722 0000

05/2015

12.0001.010.432.0000.00

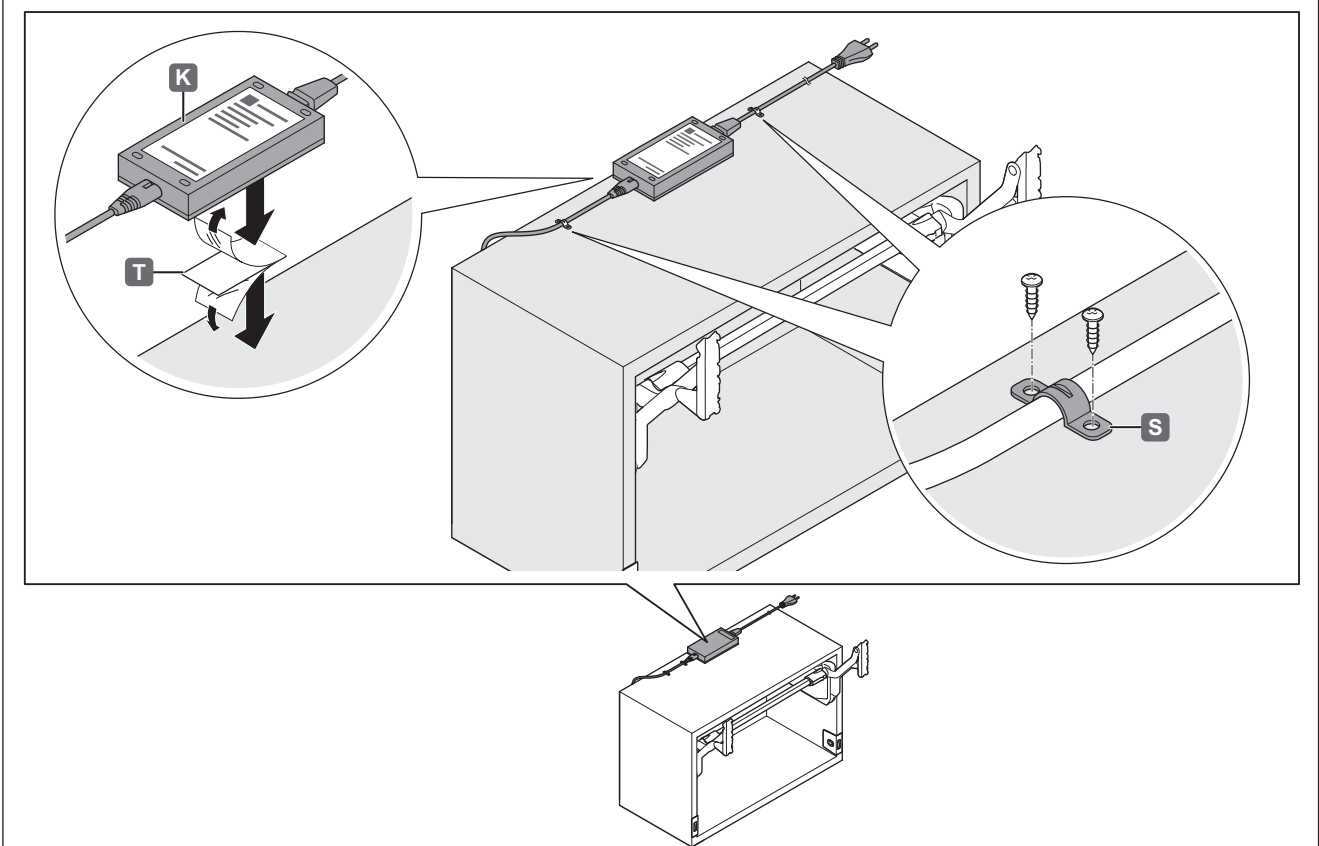
KESSEBÖHMER

9



403722 0000

10



05/2015

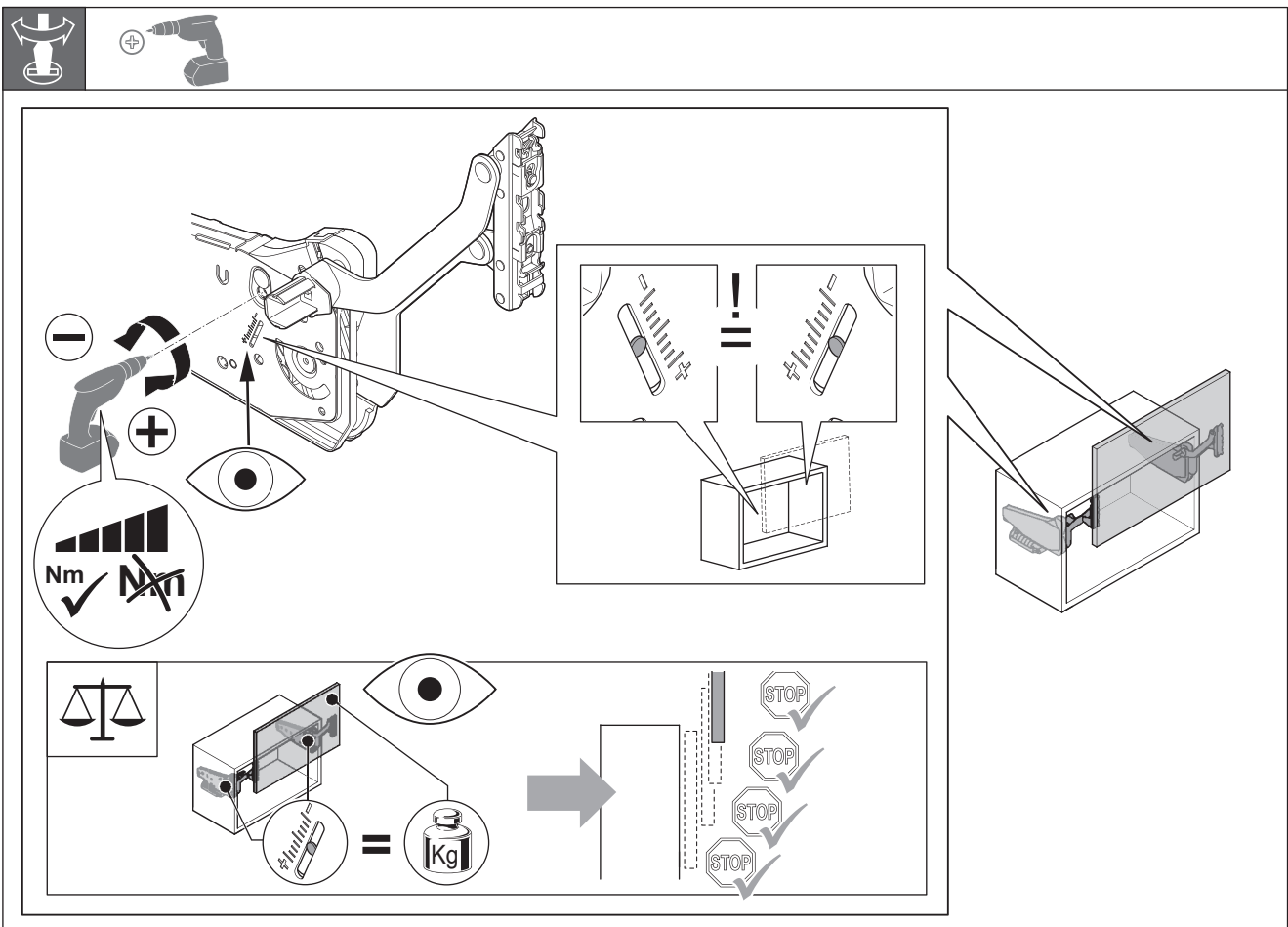
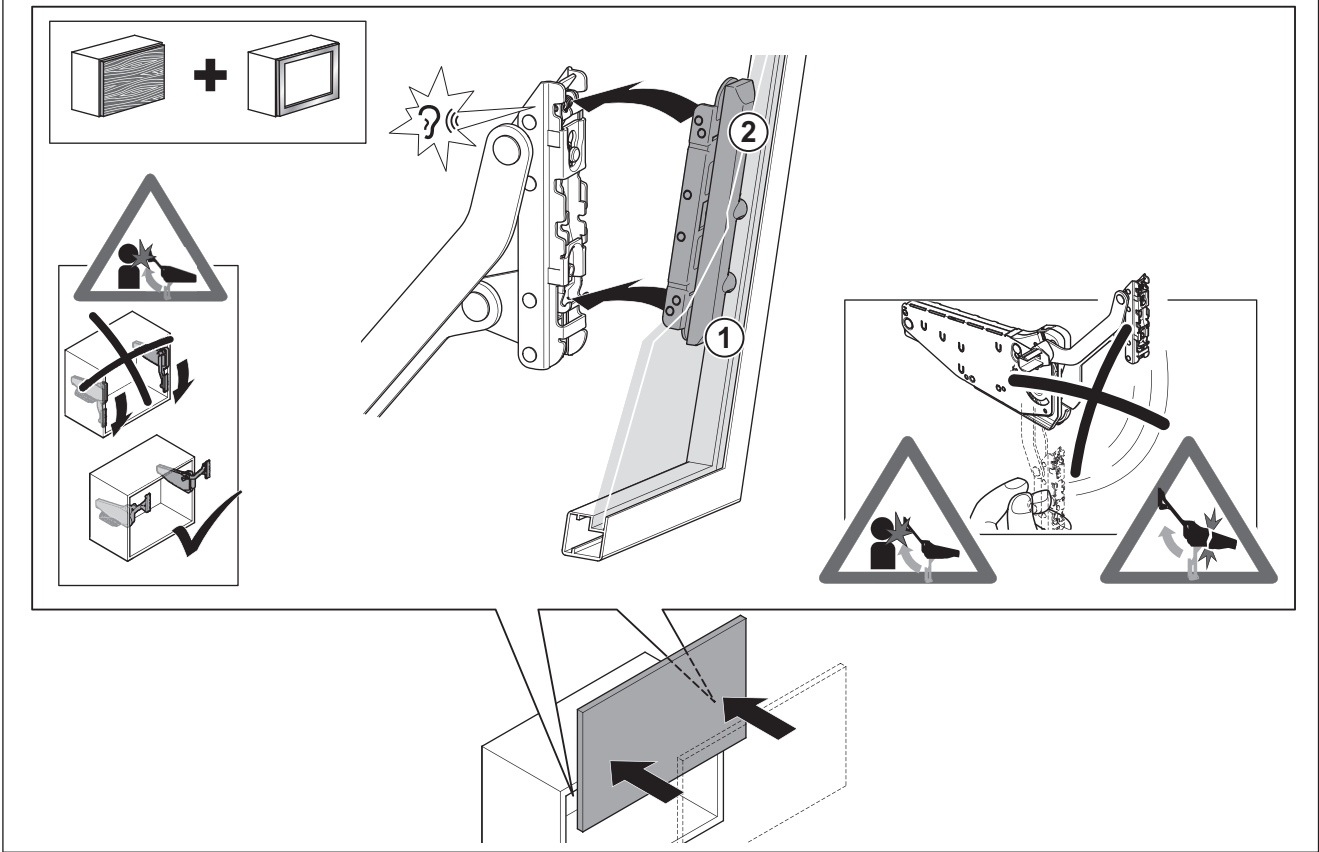
12.0001.010.432.0000.00

KESSEBÖHMER





13

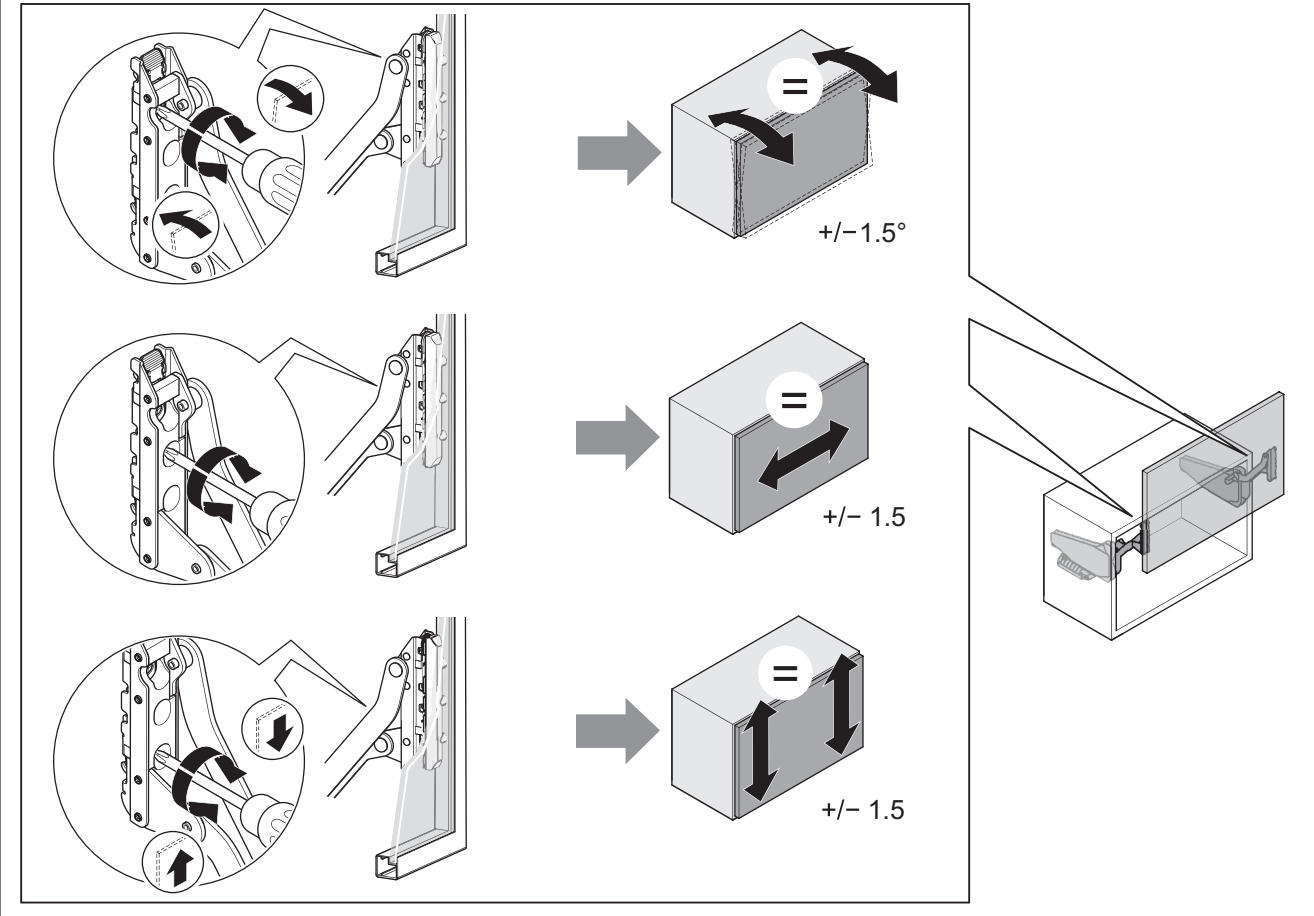


403722 0000

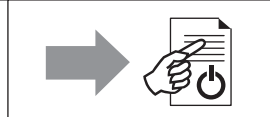
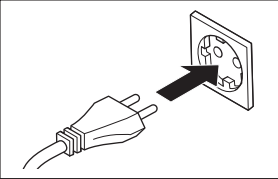
05/2015

12.0001.010.432.0000.00

KESSEBÖHMER



403722 0000

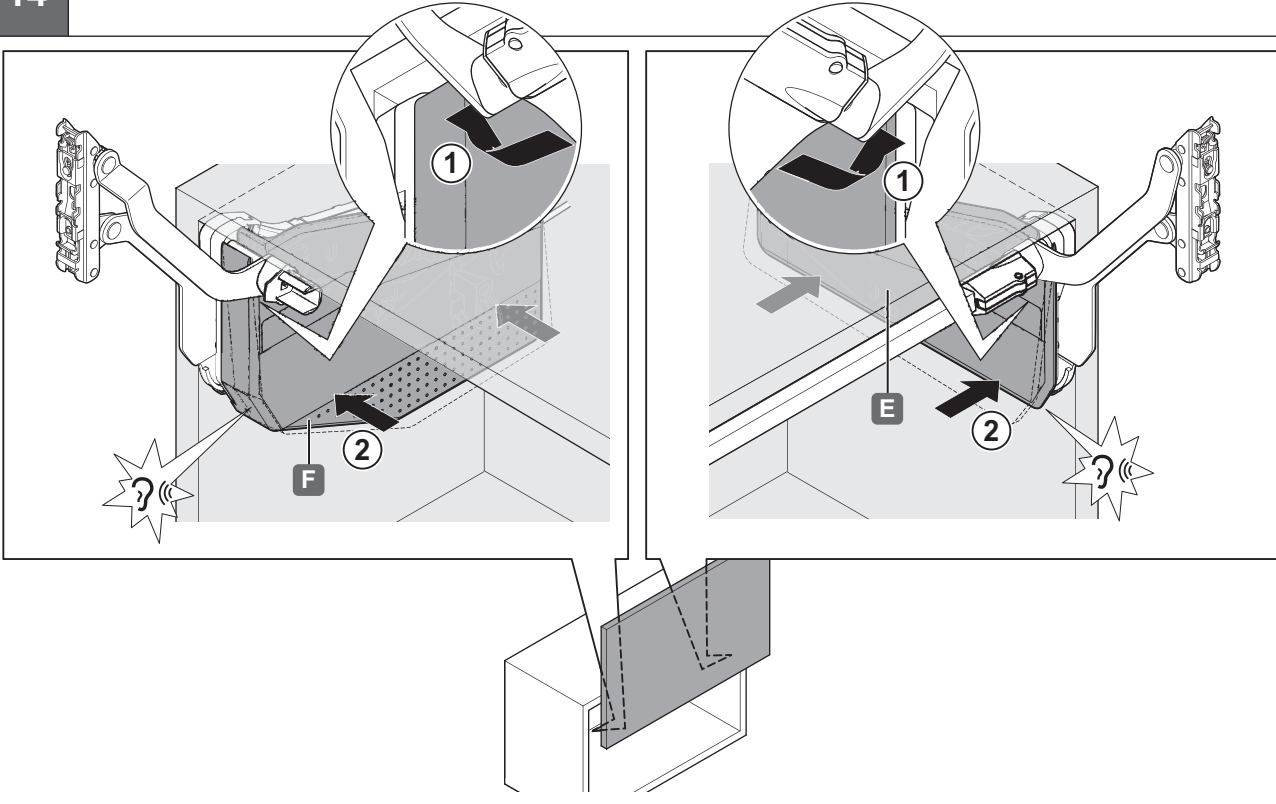


05/2015

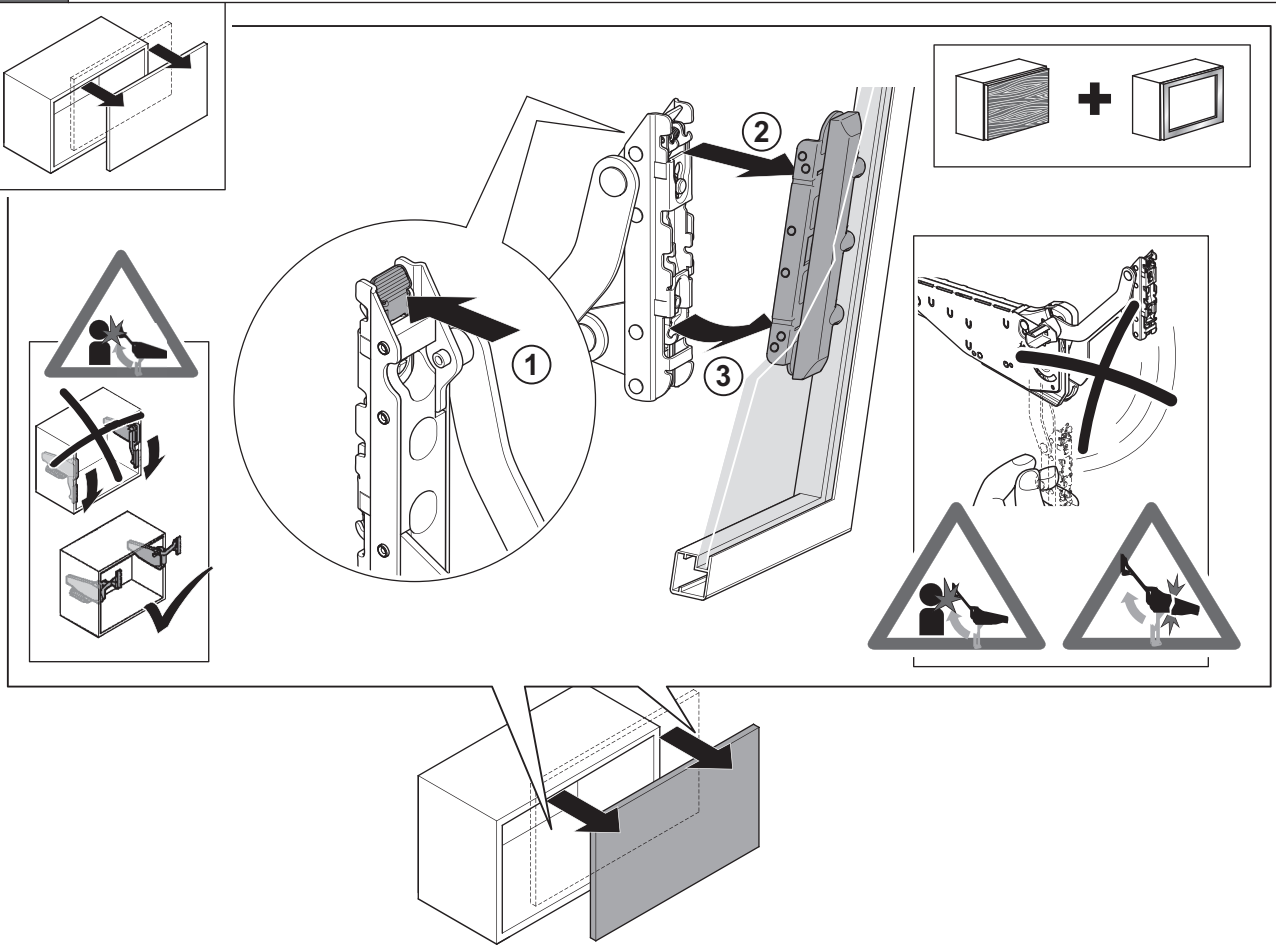
12.0001.010.432.0000.00

KESSEBÖHMER

14



**i**



403722 0000

05/2015

12.0001.010.432.0000.00

KESSEBÖHMER