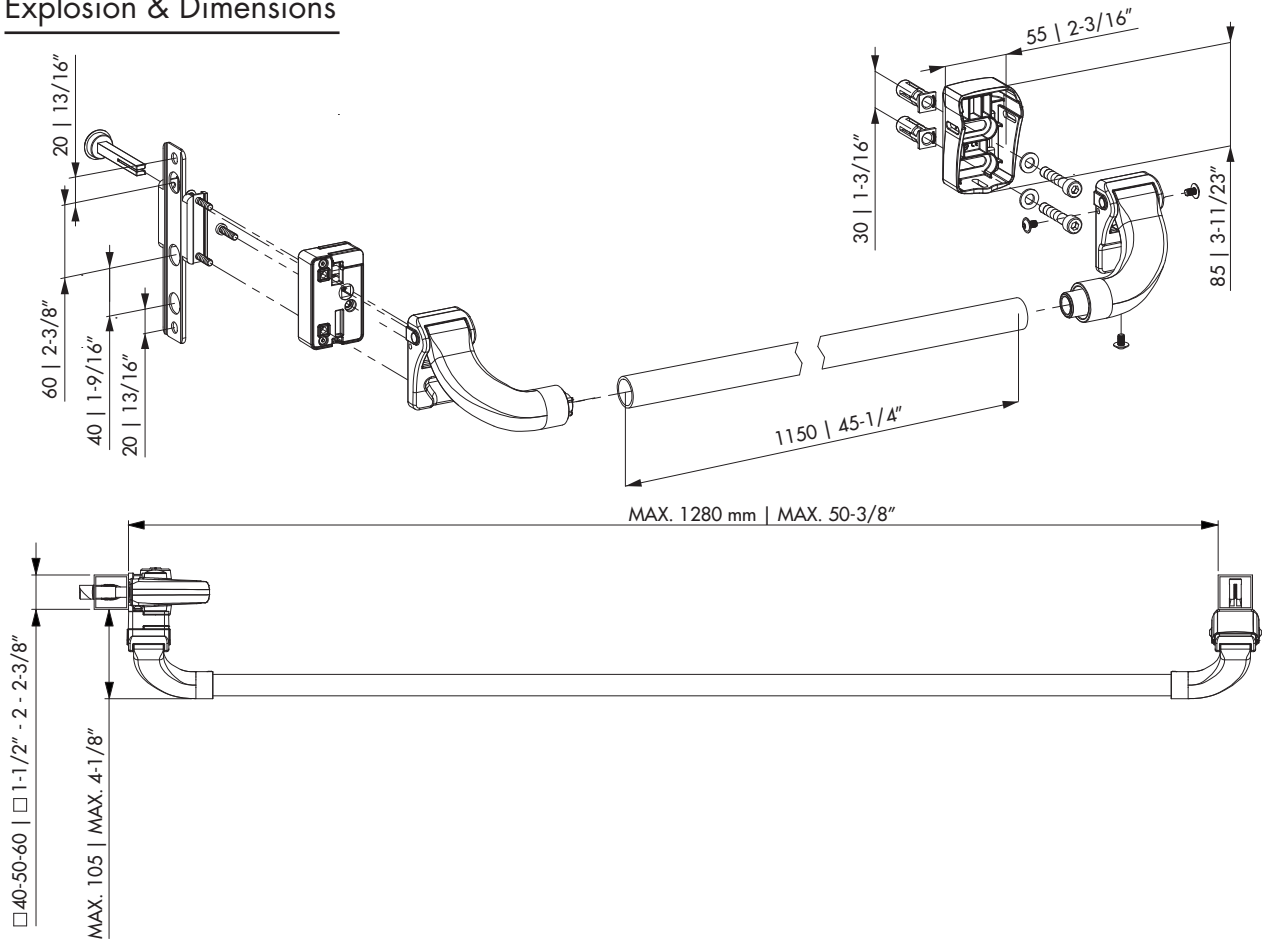
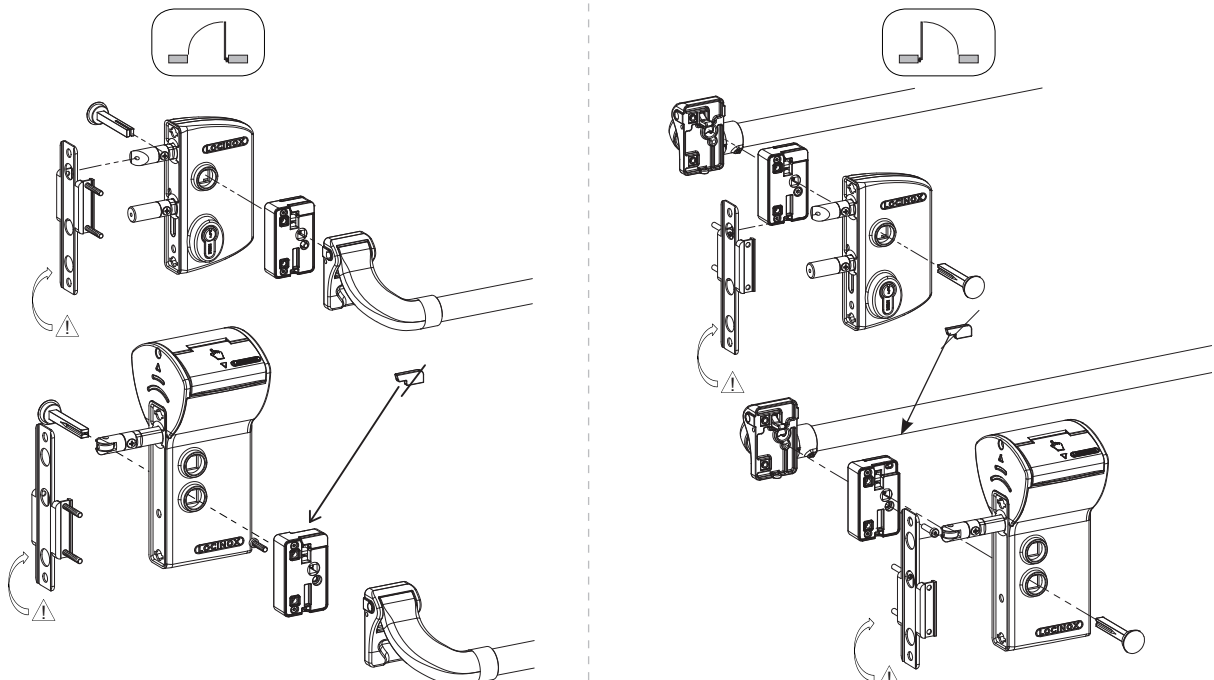


## CODE: PUSHBAR-L

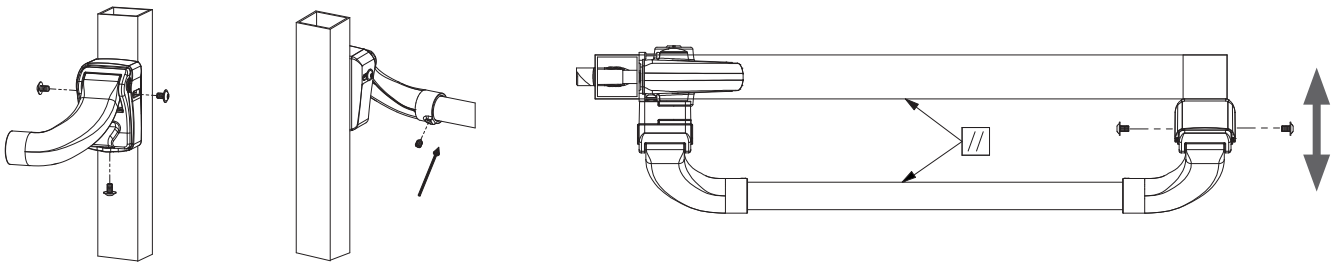
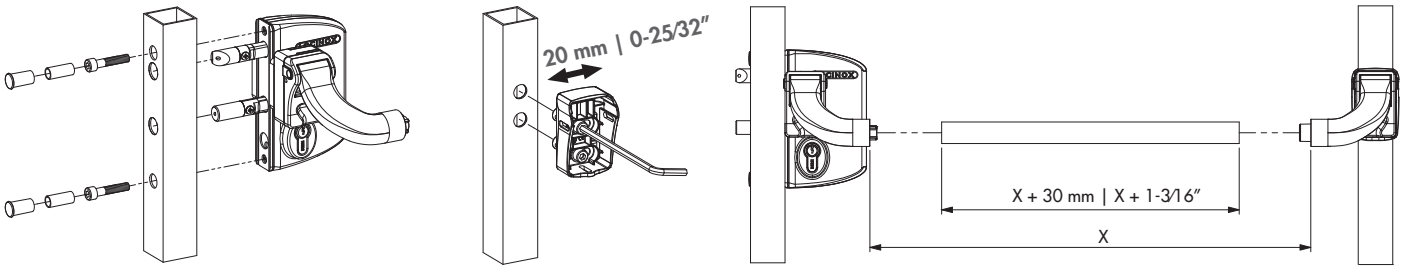
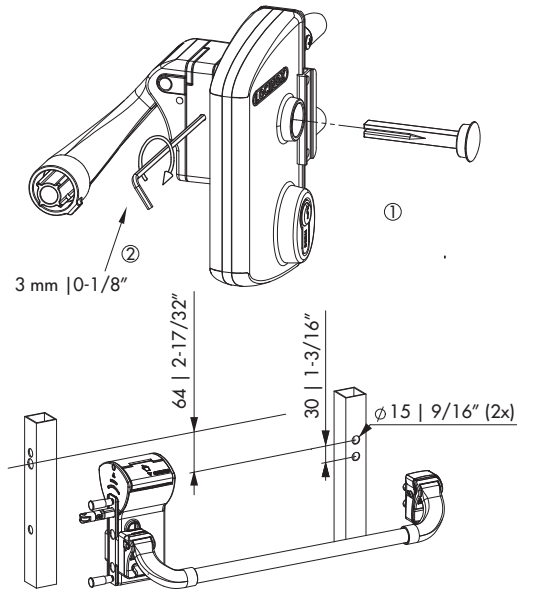
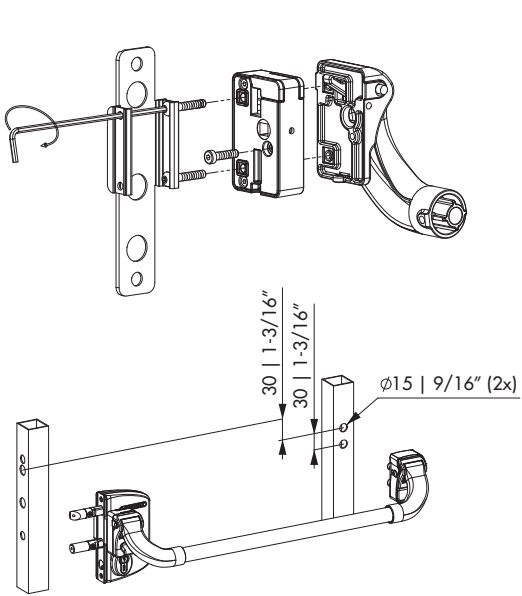
### ① Explosion & Dimensions



### ② Left or right turning gate



### ③ Mounting



**LOCINOX**<sup>®</sup>  
WWW.LOCINOX.COM

**Doc. Nr.: MANU-000209**

Locinox nv • Mannebeekstraat 21 • B-8790 Waregem • Belgium - Europe  
Tel. +32 (0)56 77 27 66 • Fax. +32 (0)56 77 69 26 • E-mail: locinox@locinox.com



\* M AN U - 0 0 0 2 0 9 \*