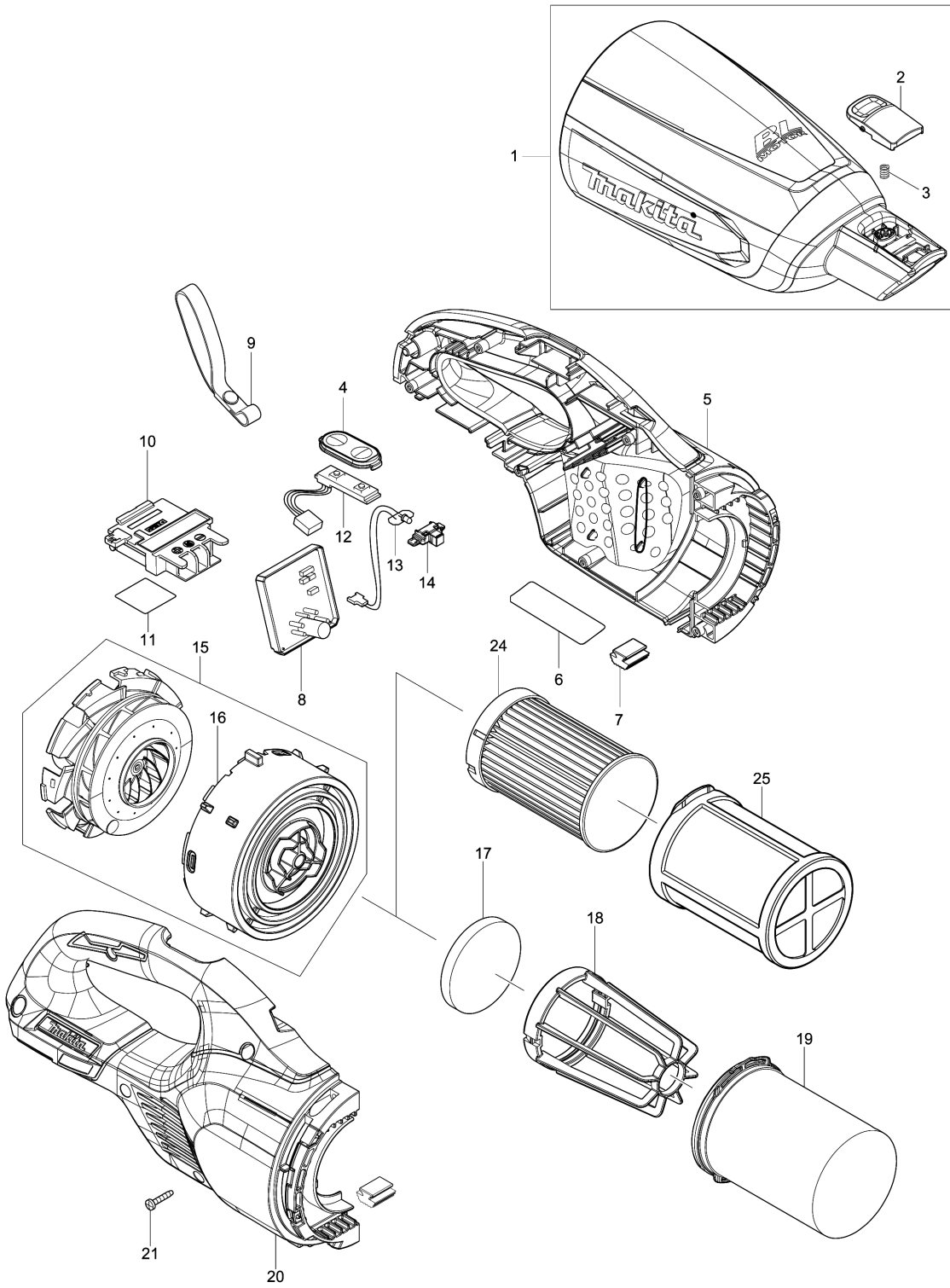


Model No.DCL281F CORDLESS CLEANER



Model No.DCL281F CORDLESS CLEANER

Position	Référence pièce	Description	Echange	QTE	New/Old	Option 1	Option 2	COMMENTAIRE
001	136105-1	CAPSULE ASS'Y		1				
C10	266326-2	TAPPING SCREW 4X18		1		65	P2	
C20	424208-6	VALVE		1		0	P1	
C30	941051-3	FLAT WASHER 4		1		0	P1	
D10		INC. 2,3						
002	458939-5	BUTTON A		1				
003	232485-4	COMPRESSION SPRING 5		1				
004	144096-2	SWITCH PLATE COMPLETE		1			P2	
005	183M13-5	HOUSING SET		1				
C10	263005-3	RUBBER PIN 6		2		65	P2	
C20	422458-7	SPONGE SHEET 55-80		2				
C30	213008-7	O RING 22.4		2		65	P2	
D10		INC. 7,20						
006	855T19-2	DCL281F NAME PLATE		1				
007	422460-0	RUBBER PLATE		2				
008	620A75-5	CONTROLLER		1				
010	643874-2	TERMINAL		1			P5	
011	855T26-5	DCL281F SERIAL NO. LABEL		1				
012	620A77-1	SWITCH UNIT		1				
013	620A76-3	LED CIRCUIT		1				
014	459478-8	LENS CASE		1				
015	136092-4	MOTOR ASS'Y		1				
D10		INC. 16						
016	459322-9	FAN COVER		1				
017	422268-2	SPONGE SHEET 57		1				
018	458467-0	STAY		1				
019	199966-0	HIGH PERFORMANCE FILTER SET		1				
020	183M13-5	HOUSING SET		1				
C10	263005-3	RUBBER PIN 6		2		65	P2	
C20	422458-7	SPONGE SHEET 55-80		2				
C30	213008-7	O RING 22.4		2		65	P2	
D10		INC. 5,7						
021	266429-2	TAPPING SCREW 3X16		7		0	P1	
A01	123488-8	FLOOR T-NOZZLE 28 BLU		1			P16	
C10	451410-8	ROLLER		4				
C20	268208-4	PIN 3		4		0	A1	
C30	424096-1	WIPER		1		0	A1	
A02	451243-1	SASH NOZZLE 28 BLU		1		6	A2	
A03	459356-2	PIPE		1				
A04	459355-4	NOZZLE HOLDER		1				

Please order the parts with part number.

Print Date 2/4/2019