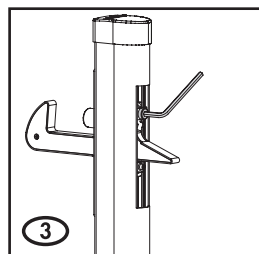
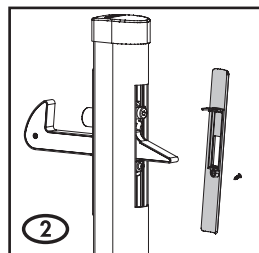
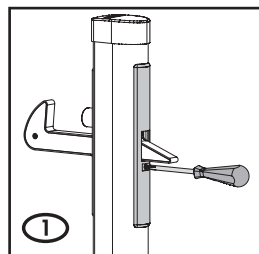
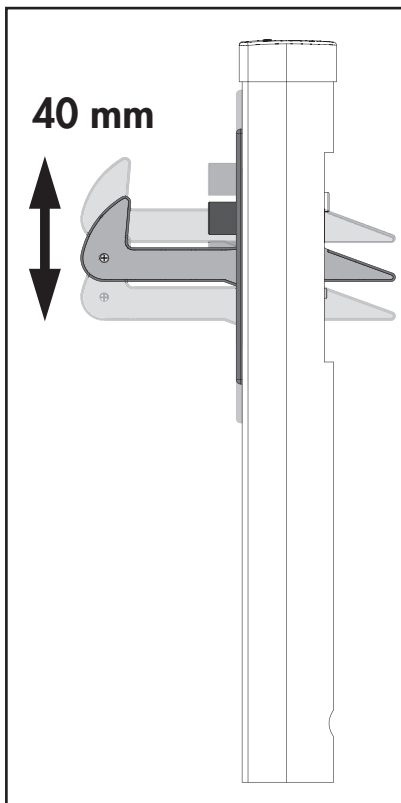
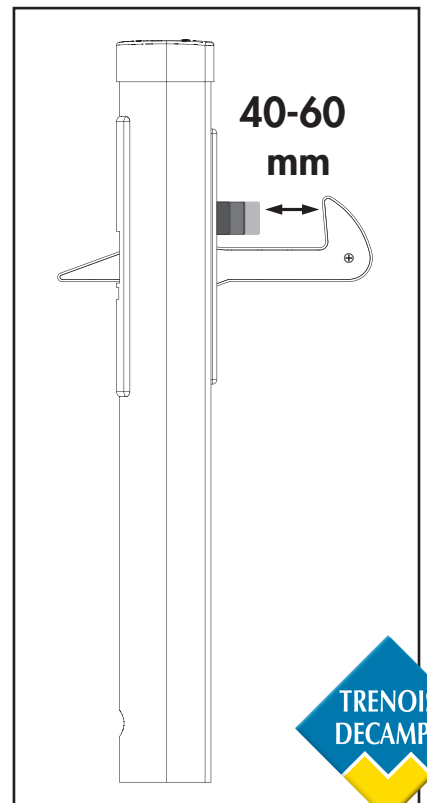
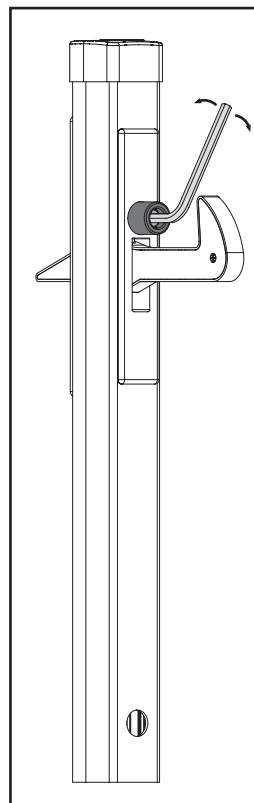


Height adjustment



Profile adjustment



Under-gate catcher → In-gate catcher

