

## CLASS II - DIN RAIL POWER SUPPLIES

**PSC4 Range**

 Trademark  
& Design  
Registered

**PSC**   
 Series

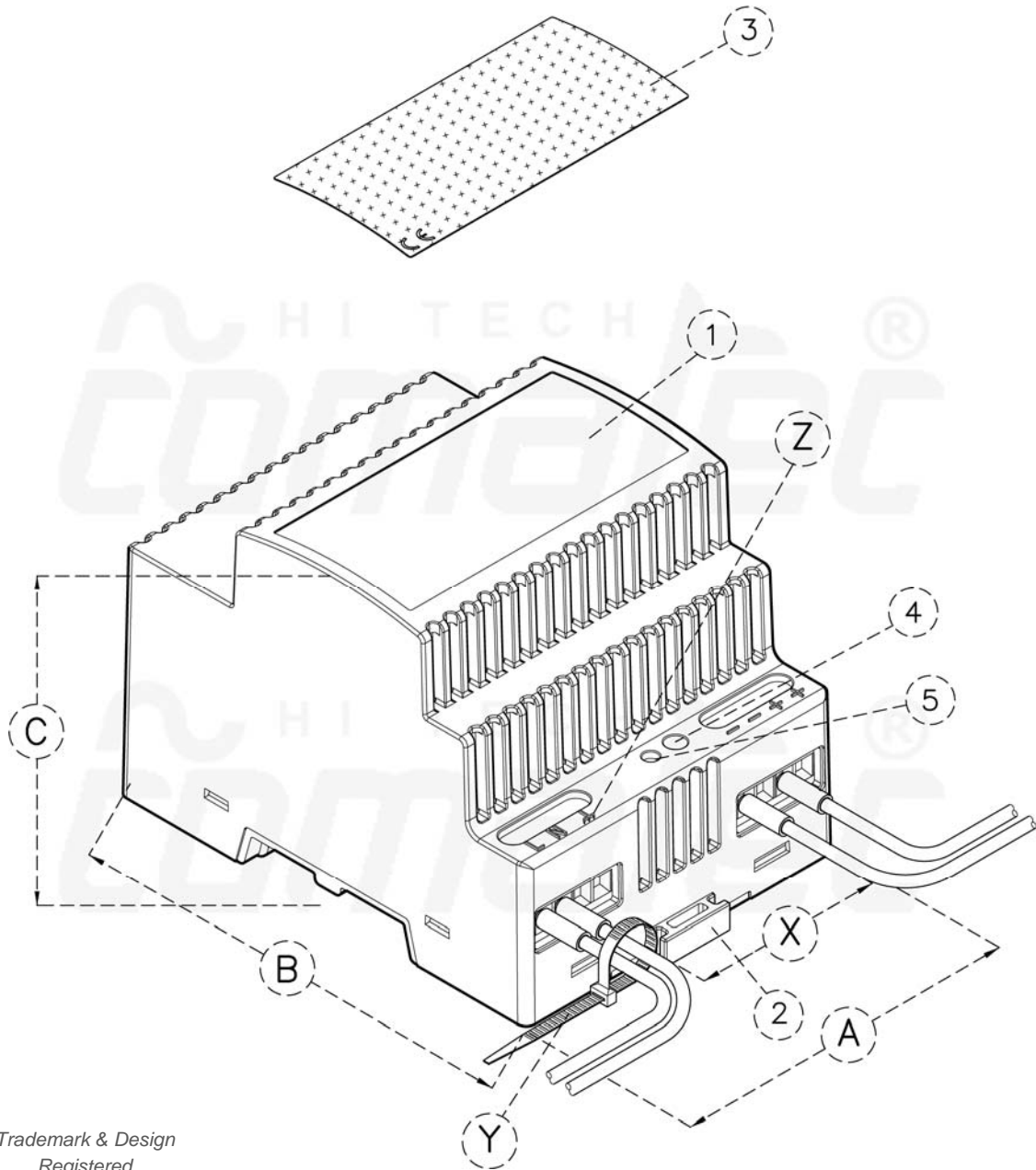
*Board  
made in China*
*Assembly and tests  
made in Italy*

### Features

- Output protection: SCP / OVP / OLP
- Wide operating ambient temperature: (-10°C – 50 °C)
- High efficiency, long life and high reliability
- All using 105°C long life electrolytic capacitors
- 100 % full load burn-in test

MODEL	PSC4/36.12.M	PSC4/48.12.M	PSC4/60.12.M	PSC4/36.24	PSC4/48.24	PSC4/60.24
Input Voltage	230 Vac			110 – 240 Vac		
Input voltage range	195 – 264 Vac / 314 – 370 Vdc			94 – 264 Vac / 127 – 370 Vdc		
Frequency range	47 - 63 Hz					
Efficiency typical @ 25°C	85 %	85 %	85 %	85 %	83 %	85 %
Power factor typical	-					
AC current max.	< 1,5 A					
Inrush current typical	< 20 A with input voltage 115 Vac. < 40 A with input voltage 230 Vac. (Cold start)					
Leakage current	< 0,25 mA					
No load dissipation	1,5 – 3,5 W (195-264 Vac)			2,3 – 5,0 W (100 – 264 Vac)		
Output Voltage	12 Vdc			24 Vdc		
Rated current	3 A	4 A	5 A	1,5 A	2 A	2,5 A
Current range	0 - 3 A	0 - 4 A	0 – 5 A	0 – 1,5 A	0 – 2 A	0 – 2,5 A
Rated Power Max	36 W	48 W	60 W	36 W	48 W	60 W
Voltage adjustment range with trimmer	12 – 14 Vdc			24 – 28 Vdc		
Voltage accuracy	± 3 %					
Ripple & Noise	<50mVpp @ 0-50°C. <100mVpp @ -10-0°C			<120mVpp @ 0-50°C. <240mVpp @ -10-0°C		
Line regulation	± 0,5 %					
Load regulation	± 2,0 %					
Overshoot and Undershoot	< 5 %					
Temperature coefficient	± 0,03 % / °C					
Set-up time	< 2 sec. With input voltage 115 Vac.			< 1 sec. With input voltage 230 Vac. (Full load)		
Hold up time	> 15 m.sec. With input voltage 115 vac.			> 20 ms. With input voltage 230 Vac (Full load)		
Over load protection (OLP)	6 A – 7 A Constant current			3 A – 4 A Constant current		
Over voltage protection (OVP)	14,3 V – 18 V Shut down with re-power on to recover			28,3 V – 35 V Shut down with re-power on to recover		
Shorted circuit protection (SCP)	> 5 A Constant current			> 2,5 A Constant current		
Operating ambient temperature	- 10 °C to 50 °C (Refer to the derating curve)					
Operating ambient Humidity	5 % / 90 % RH					
Withstand voltage	Primary – Secondary : 4,24 KVdc ; < 10 mA					
Isolation resistance	> 100 MΩ					
Safety Standard	EN60950-1/Class II					
EMI Conduction and Radiation	Compliance to EN55022, EN55024, FCC Part 15 Class B					
Harmonic current	Compliance to EN61000-3-2-3 Class C					
EMS Immunity	Compliance to EN55024					
MTBF ( MIL-HDBK-217F )	More than 100'000 hours (230Vac – ta 30°C – 50 Hz – Full Load)					
Dimension	Case 4 modules DIN. 93 x 72 x 68,5 mm					
Cooling method	Cooling by free air convection					

## Mechanical Specification



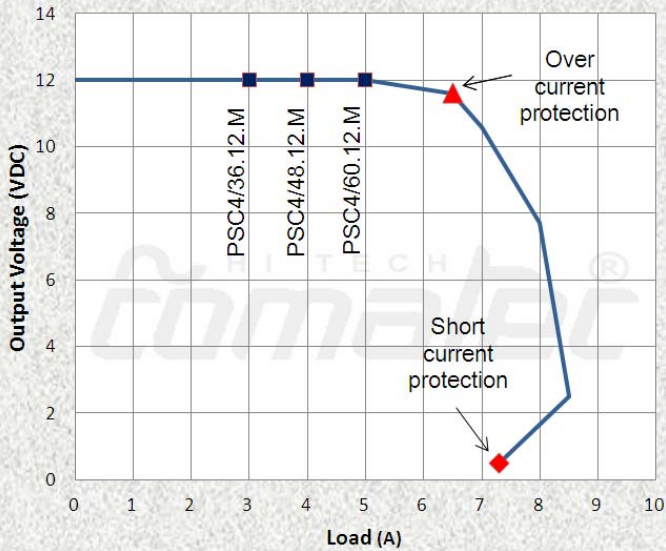
Trademark & Design  
 Registered  
 Copyright Reserved

1	Case 4M - UL94-V0 - (RAL7035)
2	Clamping spring
3	Label
4	Potentiometer (Voltage regulation)
5	Signal-LED
6	
7	

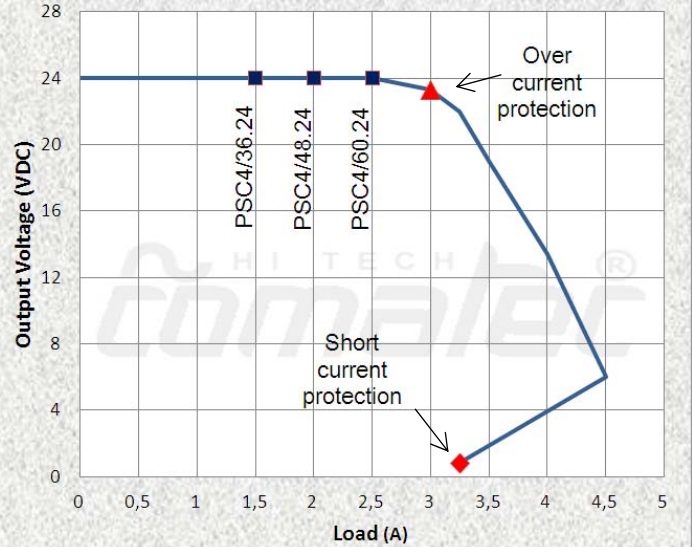
8		
9		
10		
A	72 mm	
B	93 mm	
C	68 mm	
D		

## Characteristics Curves

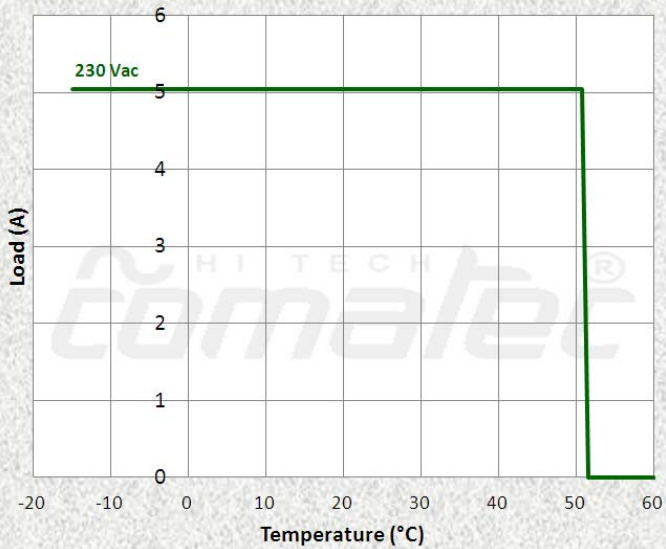
**Output Characteristics  
12 Vdc Models**



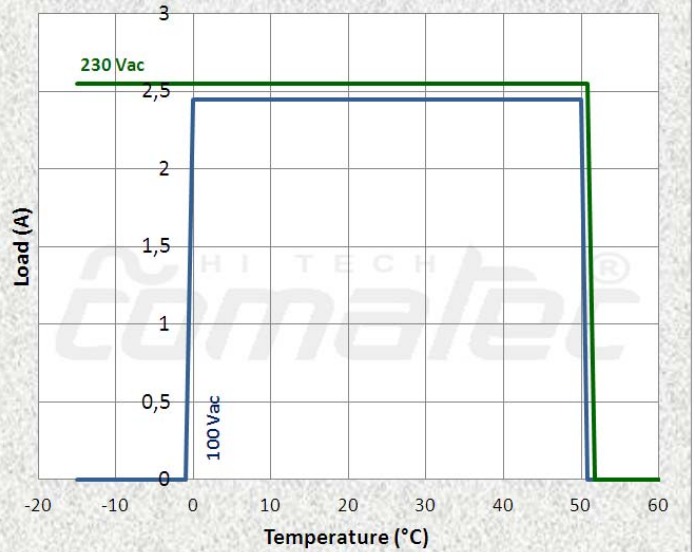
**Output Characteristics  
24 Vdc Models**



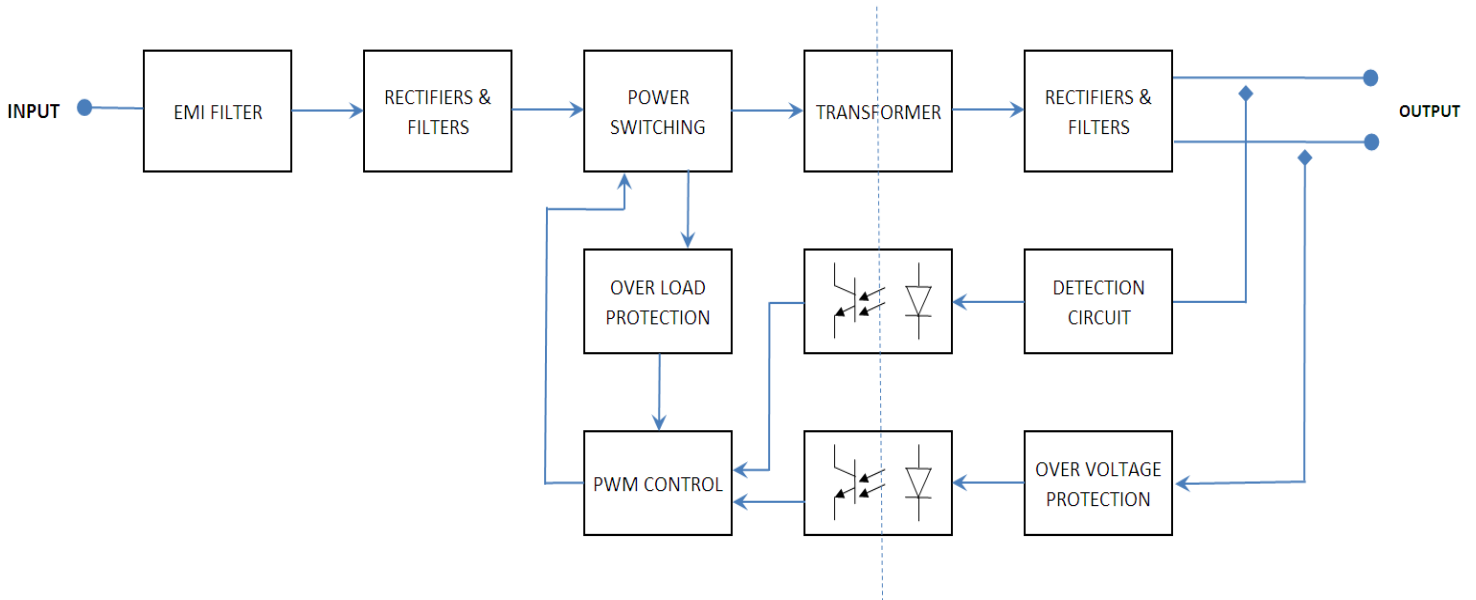
**Derating Curve  
12 Vdc Models**



**Derating Curve  
24 Vdc Models**



## Block Diagram



*Nous nous réservons le droit de modifier les caractéristiques techniques sans préavis*

*All specifications are subject to change without notice*

*Technische Änderungen vorbehalten*

*Ci riserviamo il diritto di modificare le caratteristiche tecniche senza preavviso*

*Nos permitimos de modifica las características técnicas sin preaviso*

**Trademark & Design Registered**

**Copyright Reserved**